

SPECIFICATIONS SHEET

PRODUCT TYPE : MYLAR SPEAKER

PRODUCT SERIES : M64IA

**DESCRIPTION : MY 64D 19.4H 31.5B 8 Ohm F0 = 300Hz PLT RoHS
1) WATERPROOF " IP65 "**

ELECTRICAL SPECIFICATIONS

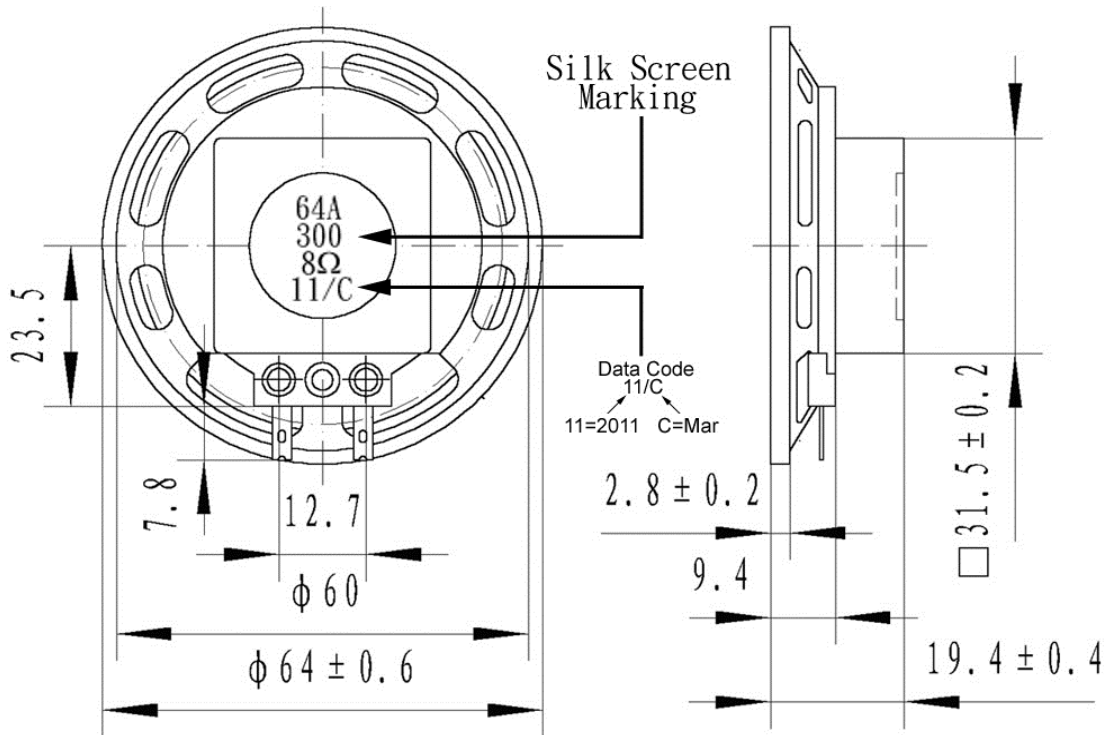
| | | |
|--|-------------------------------|-----------------|
| MODEL NO. | M64IA0300080LFTA | |
| SHAPE | ROUND | |
| DIAMETER (D ± 0.6) | mm | Ø 64.0 |
| HEIGHT (H ± 0.4) | mm | 19.4 |
| BACK DIA.(D ± 0.2) | mm | □ 31.5 |
| R. FREQUENCY ± 20 % | Hz | 300.0 |
| RESPONSE FREQ. F0 TO | Hz | 200 ~ 15000 |
| RATED POWER | W | 2.0 |
| MAX POWER | W | 3.0 |
| OUTPUT (dB/1.0W(1.0 m) AVE 0.8K,1.0K,1.2K,1.5K(Hz) | dB | 86.0 ± 3.0 |
| STANDARD IMPEDANCE ± 15 % AT 1K , 1V | Ω | 8.0 |
| TERMINAL | PLATE | |
| BUZZER & RATTLES | 4.0 V SINE WAVE | |
| DISTORTION | 10.0% Max. (2.0 W 1.0 K Hz) | |
| OPERATING TEMPERATURE | °C | - 10.0 ~ + 40.0 |
| HOUSING MATERIAL | ABS | |
| DIAPHRAGM MATERIAL | MYLAR | |
| WEIGHT | g | 45.0 g |

DIMENSIONS

UNIT : mm

BOTTOM VIEW

SIDE VIEW



Approved By : 
Date : 23-Mar.-2010

Prepared By : 
Date : 23-Mar.-2011

| | | |
|----------|--------|------|
| Modify : | Date : | By : |
| | | |
| | | |
| | | |