

### 1000SP Soldering Iron

- 24v 50w Temperature controlled soldering iron.
- Designed for use with 2000 station.
- Range adjustable between 200°C & 420 °C.
- Accuracy of proportional controller  $\pm 3\%$ .
- L.E.D. Heating-pulse indicator.
- Zero-leakage current when earthed.
- Long life iron-plated tips.
- Burnproof silicon cable.
- Operates from any 24v 2A AC power source.



### 1002 & 1003 Micro Soldering Iron

- 24v 50w Soldering iron.
- Designed for use with 2002, 2004 and 3005 stations.
- Burnproof silicon cable.
- Long life iron-plated tips.
- Available as 24v 80w with 2002/80w station.



### 1220 Soldering Iron

- 220v 60w Temperature controlled soldering iron.
- Range adjustable between 200°C and 420°C.
- Accuracy of proportional controller  $\pm 3\%$ .
- L.E.D. Heating-pulse indicator.
- Zero-leakage current when earthed.
- Plugs into any 220vAC power source.



### 1230 Soldering Iron

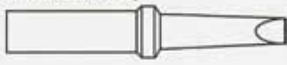

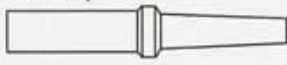
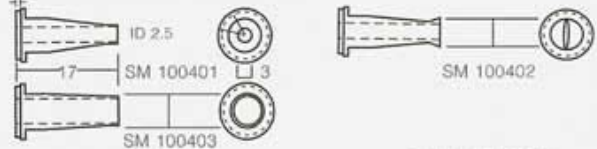
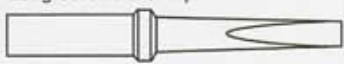
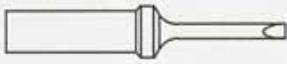
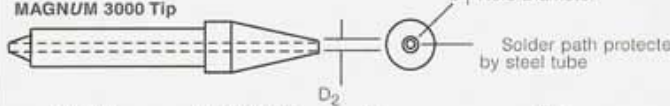
- 220v 25w Thermally balanced soldering iron.
- Temperature at rest  $\pm 420$  °C.
- Stainless steel element and barrel.
- Long life iron-plated tips.
- Support stand.
- Plugs into any 220v AC power source.



### 1012 Soldering Iron

- 12v 25w Thermally balanced soldering iron.
- Operating Temperature  $\pm 400$  °C.
- Stainless steel heating element with barrel.
- Long life iron-plated tips.
- Support stand.
- Battery clips connect to car battery.



DESCRIPTION	WIDTH	MODEL	DESCRIPTION	WIDTH	MODEL
<b>Screwdriver Tip</b> 	0.8 mm	EW-301	<b>Sloped Round Tip</b> 	0.8 mm	EW-511
	1.6 mm	EW-303		1.6 mm	EW-513
	2.4 mm	EW-305		2.4 mm	EW-515
	3.2 mm	EW-307		3.2 mm	EW-517
	4.8 mm	EW-103		4.8 mm	EW-519
	5.6 mm	EW-105			
<b>Round Tip</b> 	0.8 mm	EW-404 Long	<b>MAGNUM 1004/1005 Hot Air Nozzles</b> 		
	0.8 mm	EW-403			
	0.3 mm	EW-4796			
	0.4 mm	EW-402 Long			
	0.6 mm	EW-401			
	2.4 mm	EW-405			
	3.2 mm	EW-407			
	5.2 mm	EW-409			
<b>Long Screwdriver Tip</b>  	0.8 mm	EW-302	<b>MAGNUM 3000 Tip</b> 		
	1.2 mm	EW-304			
	2.0 mm	EW-306			
	3.2 mm	EW-308			
	1.6 mm	EW-101			
			<b>Plato®</b> <b>MAGNUM®</b> <b>D<sub>1</sub></b> <b>D<sub>2</sub></b>		
			30-030      SM 300002      0.8 mm      1.7 mm		
			30-040      SM 300003      1.0 mm      2.2 mm		
			30-050      SM 300005      1.3 mm      2.4 mm		
			30-060      SM 300006      1.5 mm      2.9 mm		

**Premium Quality for Long Life:** Iron plated to resist erosion by solder - stainless steel tube prevents erosion by solder.