

Mylar Speaker

ME2909-8R-P

Series: ME2909
Type: Mylar Speaker

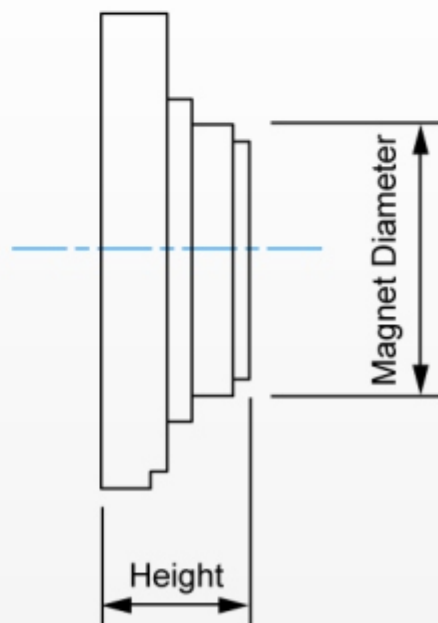
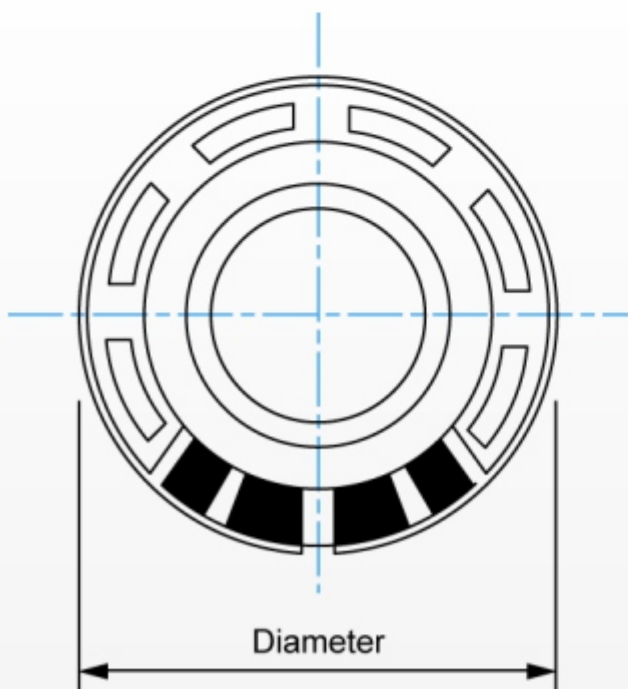


Specification

Dimension

Specification

Diameter [mm]	29
Magnet Diameter [mm]	20.8
Height [mm]	9
Magnet Type	External
Impedance [ohm]	8
Rated Power [W]	0.1
Max. Power [W]	0.2
Frequency [Hz]	700 +/- 20%
Sound Output [dB]	85
Shape	Round
Frame	Plastic
Terminal	PCB



Unit : mm