

Mylar Speaker

ME5717-8R

Series: ME5717
Type: Mylar Speaker

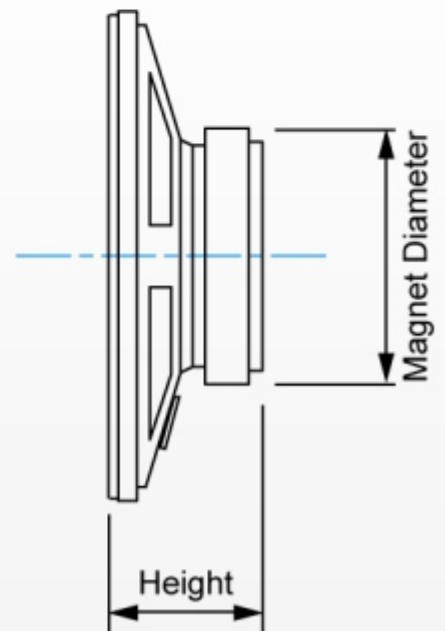
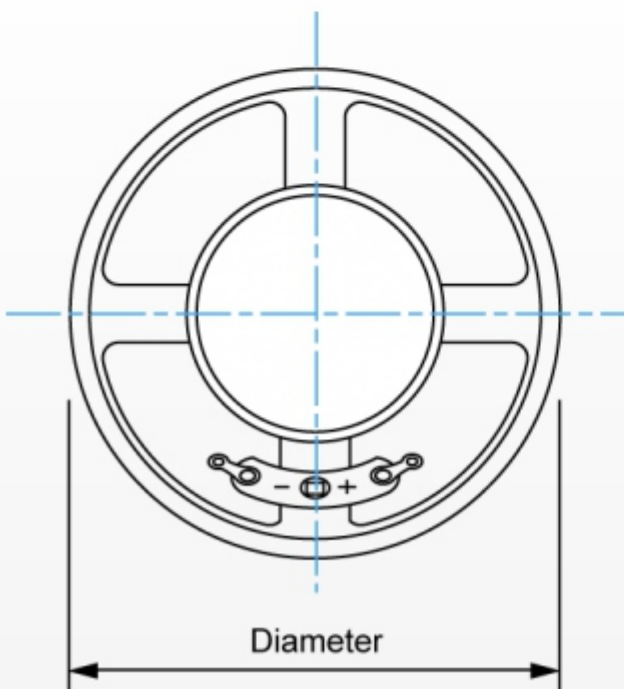


Specification

Dimension

Specification

Diameter [mm]	57
Magnet Diameter [mm]	32
Height [mm]	17
Magnet Type	External
Impedance [ohm]	8
Rated Power [W]	0.25
Max. Power [W]	0.5
Frequency [Hz]	550 +/- 20%
Sound Output [dB]	86
Shape	Round
Frame	Metal
Terminal	PCB



Unit : mm