

Mylar Speaker (External Magnet)

Model: ME87TS-32H10W8N



ELECTRICAL SPECIFICATIONS

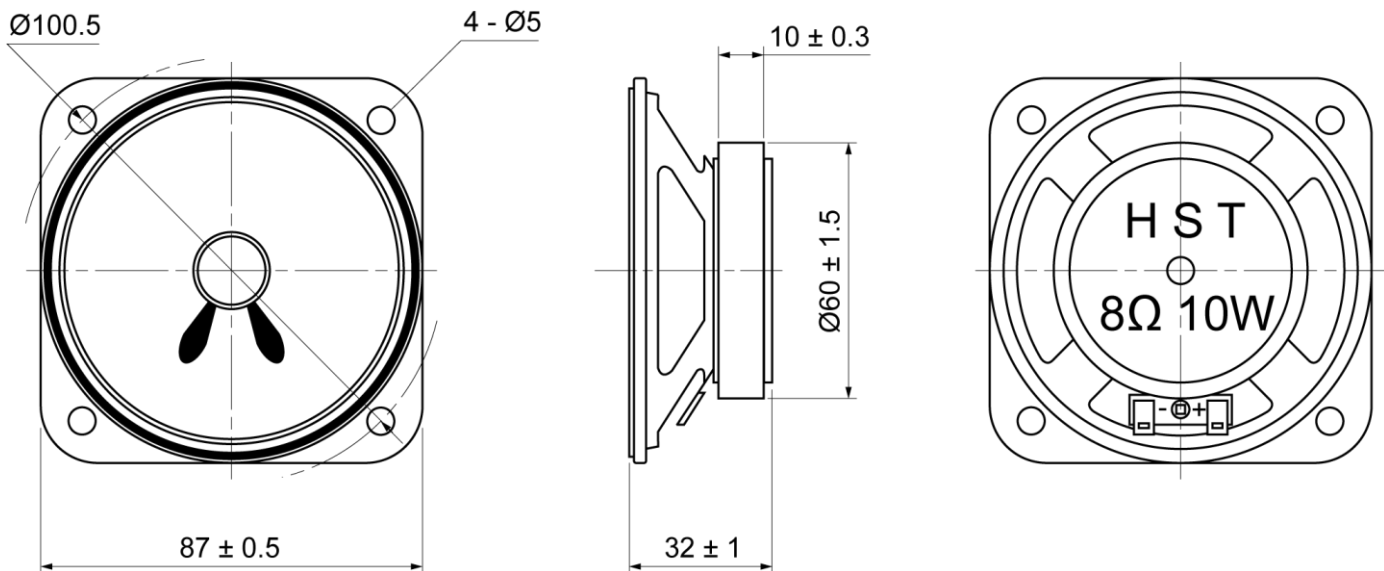
	Condition	Parameter	Unit
Sound Pressure Level	at 0.1W, 0.1M [at 0.8, 1.0, 1.2, 1.5KHz]	97 ± 3	dB
Impedance	at 1V, 800Hz	8 ± 15%	Ω
Rated Input Power		10	W
Max Input Power		12	W
Resonant Frequency (Fo)	at 1V	600 ± 20%	Hz
Frequency Range		Fo ~ 7000	Hz
Buzzer & Rattles	not be audible at sine wave between Fo ~ 20KHz	8.94	V
Operating Temperature		-20 ~ 55	°C
Magnet		Ferrite	
Frame Material		Metal	
Cone Material		Mylar (PET)	
Weight		295	g
Dustproof And Waterproof Level	IEC 529 edition 2.0 (1989)	IP64	

Note: IP protection level for speaker front side when built into sealed housing.

MECHANICAL DRAWING

Dimensions in mm

Tolerance ±0.5mm Except Specified



Mylar Speaker (External Magnet)

Model: ME87TS-32H10W8N

FREQUENCY RESPONSE CURVE

