



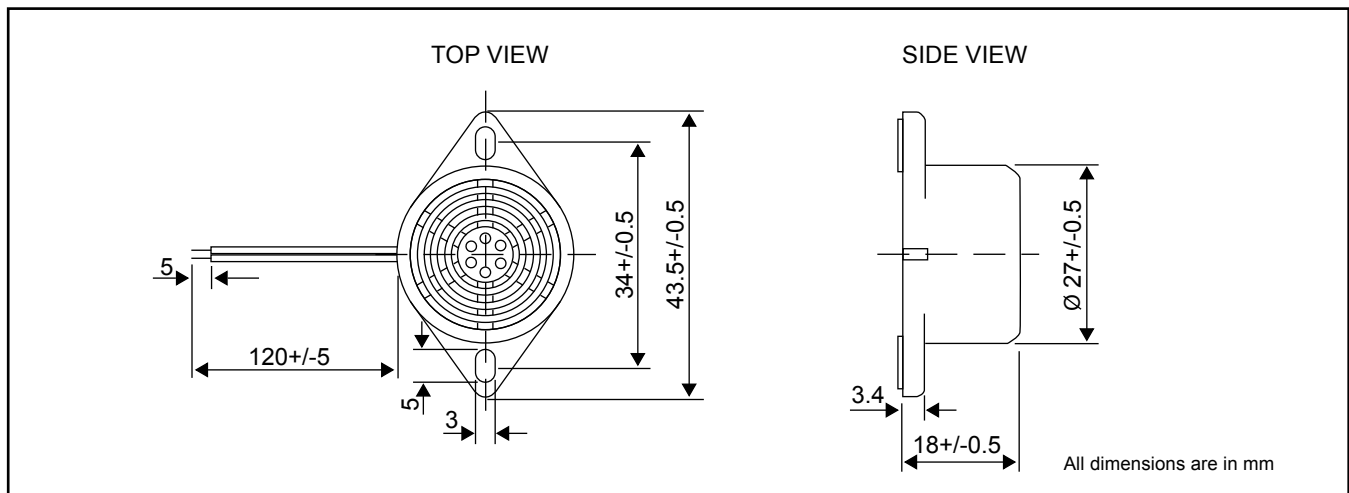
SPL (Hong Kong) Limited

Rm 2507, 25/F, Prosperity Centre, 25 Chong Yip St., Kwun Tong, Kln., HK.
Tel: 852-23426867 / 57 Fax: 852-23426847 Email: sales@spl-hk.com.hk
www.buzzer.com.hk ; www.transducer.com.hk ; www.connector.com.hk

Mechanical Buzzer SMEB07 series

DIMENSIONS

Date : 22 Dec., 2008



Ref no. : QS014-24V-R



ELECTRICAL SPECIFICATIONS

Model No.		MEB07-SA24AWR
Operating Voltage	[Vdc]	15 ~ 27
Rated Voltage	[Vdc]	24
* Max. Rated Current	[mA]	35
Frequency	[Hz]	400 +/- 100
* Min. Sound Output at 10cm	[dB]	95
Tone Nature		Single
Operating Temperature	[°C]	-20 ~ +80
Terminal		Wire - UL1007 AWG#26
Housing Material		ABS
Housing Colour		White
Weight	[gm]	10

* Value applying rated voltage