

SMB380

Triaxial acceleration sensor

Data Sheet (preliminary)

Bosch Sensortec



BOSCH

Invented for life



SMB380 Data sheet (preliminary)

| | |
|--------------------|--|
| Order code | 0 273 141 006 |
| Package type | 10-pin QFN |
| Data sheet version | 1.3 |
| Release date | 2007-09-18 |
| Notes | Specifications are subject to change without notice. |

SMB380

Triaxial $\pm 2g/\pm 4g/\pm 8g$ acceleration sensor

Key features

- Three-axis accelerometer
 - Temperature output
 - Small package
 - Digital interface
 - Programmable functionality
 - Ultra-low power ASIC
 - RoHS compliant, Pb-free
- Mold package (QFN),
Footprint 3mm x 3mm, height 0.90mm
SPI (4-wire, 3-wire), I²C, interrupt pin
g-range $\pm 2g/\pm 4g/\pm 8g$, bandwidth 25-1500Hz, internal acceleration evaluation for interrupt trigger also enabling stand-alone capability (without use of microcontroller), self-test
- Low current consumption, short wake-up time, advanced features for system power management

Typical applications

- HDD protection
- Menu scrolling, tap / tap-tap function
- Gaming
- Pedometer
- Drop detection for warranty logging
- Display profile switching
- Advanced system power management for mobile applications
- Shock Detection

General description

The SMB380 is a triaxial, low-g acceleration sensor IC with digital output for consumer market applications. It allows measurements of acceleration in perpendicular axes as well as absolute temperature measurement.

An evaluation circuitry converts the output of a three-channel micromechanical acceleration-sensing structure that works according to the differential capacitance principle.

Package and interface have been defined to match a multitude of hardware requirements. Since the sensor IC has small footprint and flat package it is attractive for mobile applications. The sensor IC can be programmed to optimize functionality, performance and power consumption in customer specific applications.


The SMB380 senses tilt, motion and shock vibration in cell phones, handhelds, computer peripherals, man-machine interfaces, virtual reality features and game controllers.

The SMB380 is the QFN package version of the BMA150 triaxial acceleration sensor which comes in a 3mm x 3mm x 0.9mm LGA type package.

Index of Contents

| | |
|---|-----------|
| 1. SPECIFICATION | 5 |
| 2. MAXIMUM RATINGS | 7 |
| 3. GLOBAL MEMORY MAP | 8 |
| 3.1 OPERATIONAL REGISTERS | 11 |
| 3.1.1 SPI4 | 11 |
| 3.1.2 Range | 11 |
| 3.1.3 Bandwidth | 12 |
| 3.1.4 Wake_up | 12 |
| 3.1.5 Wake_up_pause | 13 |
| 3.1.6 Shadow_dis | 13 |
| 3.2 INTERRUPT SETTINGS | 14 |
| 3.2.1 Enable_LG :..... | 14 |
| 3.2.2 Enable_HG :..... | 14 |
| 3.2.3 Enable_adv_INT :..... | 14 |
| 3.2.4 Any_motion :..... | 14 |
| 3.2.5 Alert : | 14 |
| 3.2.6 Latch_INT :..... | 15 |
| 3.2.7 LG_thres, LG_hyst, LG_dur, counter_LG | 15 |
| 3.2.8 HG_thres, HG_hyst, HG_dur, counter_HG | 16 |
| 3.2.9 Any_motion_thres, any_motion_dur | 17 |
| 3.2.10 New_data_int | 19 |
| 3.3 CONTROL REGISTERS | 20 |
| 3.3.1 Reset_INT | 20 |
| 3.3.2 Update_image | 20 |
| 3.3.3 Ee_w | 20 |
| 3.3.4 Selftest_0 | 21 |
| 3.3.5 Selftest_1 | 21 |
| 3.3.6 Soft_reset | 21 |
| 3.3.7 Sleep | 21 |
| 3.4 STATUS REGISTERS | 22 |
| 3.4.1 St_result | 22 |
| 3.4.2 Alert_phase | 22 |
| 3.4.3 LG_latched, HG_latched | 22 |
| 3.4.4 Status_LG, status_HG | 22 |
| 3.4.5 Customer_reserved_1, customer_reserved_2 | 22 |
| 3.5 DATA REGISTERS | 23 |
| 3.5.1 Temp | 23 |
| 3.5.2 Acc_x, acc_y, acc_z | 23 |
| 3.5.3 New_data_x, new_data_y, new_data_z | 24 |
| 3.5.4 Al_version, ml_version, chip_id | 24 |

| | |
|---|-----------|
| 4. DIGITAL INTERFACE..... | 25 |
| 4.1 SPI..... | 25 |
| 4.1.1 <i>Four-wire SPI interface</i> | 25 |
| 4.1.2 <i>Three-wire SPI interface</i> | 29 |
| 4.2 I²C INTERFACE | 32 |
| 5. PACKAGE..... | 38 |
| 5.1 OUTLINE DIMENSIONS | 38 |
| 5.2 AXES ORIENTATION | 39 |
| 5.3 LANDING PATTERN RECOMMENDATIONS | 40 |
| 5.4 MOISTURE SENSITIVITY LEVEL AND SOLDERING | 41 |
| 5.5 ROHS COMPLIANCY | 41 |
| 6. PIN-OUT AND CONNECTION DIAGRAMS | 42 |
| 7. OPERATION MODES | 45 |
| 7.1 NORMAL OPERATIONAL MODE..... | 45 |
| 7.2 SLEEP MODE | 45 |
| 7.3 WAKE-UP MODE | 45 |
| 8. DATA CONVERSION | 47 |
| 8.1 ACCELERATION DATA | 47 |
| 8.2 TEMPERATURE MEASUREMENT | 48 |
| 9. INTERNAL LOGIC FUNCTIONS..... | 49 |
| 9.1 FREEFALL LOGIC | 49 |
| 9.2 HIGH-G LOGIC | 49 |
| 9.3 ANY MOTION DETECTION | 50 |
| 9.4 ALERT MODE | 50 |
| 10. DISCLAIMER | 51 |
| 10.1 ENGINEERING SAMPLES..... | 51 |
| 10.2 PRODUCT USE..... | 51 |
| 11. DOCUMENT HISTORY AND MODIFICATION | 52 |

| | | |
|--|---|-----------------|
|  BOSCH | Preliminary Data Sheet SMB380 Triaxial acceleration sensor | Bosch Sensortec |
|--|---|-----------------|

1. Specification

If not stated otherwise, the given values are maximum values over lifetime and full performance temperature/voltage range in the normal operation mode.


Table 1: Operating range, output signal and mechanical specifications of the SMB380

| Parameter | Symbol | Condition | Min | Typ | Max | Units |
|-----------------------------------|-------------|---|------|-----|-----|--------------|
| OPERATING RANGE | | | | | | |
| Acceleration Range | g_{FS2g} | Switchable via serial digital interface | -2 | | 2 | g |
| | g_{FS4g} | | -4 | | 4 | g |
| | g_{FS8g} | | -8 | | 8 | g |
| Supply Voltage Analogue | V_{DD} | | 2.4 | | 3.6 | V |
| Supply Voltage for Digital I/O | V_{DDIO} | $V_{DDIO} \leq V_{DD}$ | 1.62 | | 3.6 | V |
| Supply Current in Normal Mode ** | I_{DD} | Digital and analog | | 200 | 290 | μ A |
| Supply Current in Standby Mode ** | I_{DDsbm} | Digital and analog | | 1 | 2 | μ A |
| Operating Temperature | T_A | | -40 | | +85 | $^{\circ}$ C |
| ACCELERATION OUTPUT SIGNAL | | | | | | |
| Acceleration Output Resolution | | Format: 2's complement | | | 10 | Bit |
| Sensitivity | S_{2g} | g-range $\pm 2g$ | 246 | 256 | 266 | LSB/g |
| | S_{4g} | g-range $\pm 4g$ | 122 | 128 | 134 | LSB/g |
| | S_{8g} | g-range $\pm 8g$ | 61 | 64 | 67 | LSB/g |
| Zero-g Offset | Off | $T_A=25^{\circ}$ C, calibrated | -60 | | 60 | mg |
| Zero-g Offset | Off | $T_A=25^{\circ}$ C, over lifetime * | -150 | | 150 | mg |
| Zero-g Offset Temperature Drift | | Over T_A | | 1 | | mg/K |
| Power Supply Rejection Ratio | PSRR | Over V_{DD} | | | 0.2 | LSB/V |

* The offset can deviate from the original calibration mainly due to stress effects during soldering depending on the soldering process. For many applications it is beneficial to re-calibrate the offset after PCB assembly (see application note ANA016 "In-line offset re-calibration").

** For more details on the SMB380's current consumption during wake-up mode, please refer to chapter 7.3

| Parameter | Symbol | Condition | Min | Typ | Max | Units |
|---|------------------|--------------------------------------|-------|----------------------------|-------|--------|
| Bandwidth | bw | 2 nd order analog filter | | 1500 | | Hz |
| | | Digital filter | | 25, 50, 100, 190, 375, 750 | | Hz |
| Acceleration Data Refresh Rate (all axes) | | | 2700 | 3000 | 3300 | Hz |
| Nonlinearity | NL | Best fit straight line | -0.5 | | 0.5 | %FS |
| Output Noise | n _{rms} | Rms | | 0.5 | | mg/√Hz |
| TEMPERATURE SENSOR IC | | | | | | |
| Sensitivity | S _T | Preliminary data | 0.475 | 0.5 | 0.525 | K/LSB |
| Temperature measurement range | T _S | | -30 | | 97.5 | °C |
| Temperature Offset | Off _T | Calibrated at 30°C | | 1 | | K |
| MECHANICAL CHARACTERISTICS | | | | | | |
| Cross Axis Sensitivity | \bar{S} | Relative contribution between 3 axes | | | 2 | % |
| POWERING UP CHARACTERISTICS | | | | | | |
| Wake-up time | t _{wu} | From standby | | 1 | 1.5 | ms |
| Start-up time | t _{su} | From power-off | | 3 | | ms |


| | | |
|--|---|-----------------|
|  BOSCH | Preliminary Data Sheet SMB380 Triaxial acceleration sensor | Bosch Sensortec |
|--|---|-----------------|

2. Maximum ratings

Table 2: Maximum ratings specified for the SMB380

| Parameter | Condition | Min | Max | Units |
|---------------------------|------------------------------|------|--------|--------|
| Supply Voltage | V_{DD} and V_{DDIO} | -0.3 | 4.25 | V |
| Storage Temperature range | | -50 | +150 | °C |
| EEPROM write cycles | Same Byte | 1000 | | cycles |
| EEPROM retention | At 55°C, after 1000 cycles | 10 | | years |
| Mechanical Shock | Duration \leq 100 μ s | | 10,000 | g |
| | Duration \leq 1.0ms | | 2,000 | g |
| | Free fall onto hard surfaces | | 1.5 | m |
| ESD | HBM, at any pin | | 2 | kV |
| | CDM | | 500 | V |

Stress above these limits may cause damage to the device. Exceeding the specified electrical limits may affect the device reliability or cause malfunction.

| | | |
|--|---|-----------------|
|  BOSCH | Preliminary Data Sheet SMB380 Triaxial acceleration sensor | Bosch Sensortec |
|--|---|-----------------|

3. Global memory map

The global memory map of SMB380 has three levels of access:

| Memory Region | Content | Access Level |
|------------------------------------|--|---|
| Operational Registers | Data registers, control registers, status registers, interrupt settings | Direct access via serial interface |
| Default Setting Registers | Default values for operational registers, acceleration and temperature trimming values | Access blocked by default; Access enabled by setting control bit in operational registers via serial interface |
| Bosch Sensortec Reserved Registers | Internal trimming registers | Protected |

The memory of SMB380 is realized in diverse physical architectures. Basically SMB380 uses volatile memory registers to operate. The volatile part of the memory can be changed and read quickly. Part of the volatile memory (“image”) is a copy of the non-volatile memory (EEPROM).

The EEPROM can be used to set default values for the operation of the sensor IC. The EEPROM access mode is “write only”. The register values are copied to the image registers after power on or soft reset. The download of all EEPROM bytes to image registers is also done when the content of one EEPROM byte has been changed by a write command.

All operational and default setting registers are accessible through serial interface with a standard protocol:

| Type of Register | Function of Register | Command | Volatile / non-volatile |
|-------------------|---|----------------------------------|--|
| Data Registers | – Chip identification, chip version – Acceleration data, temperature | Read Read | non-volatile (hard coded) volatile |
| Control Registers | – Activating self test, soft reset, switch to sleep mode etc. | Read / Write | volatile |
| Status Registers | – Interrupt status and self test status – Customer usable status bytes | Read Read / Write | Volatile volatile |
| Setting Register | – Functional settings (range, bandwidth) – Interrupt settings | Read / Write Read / Write | volatile volatile |
| EEPROM | – Default settings of functional and interrupt settings – Trimming values – Customer reserved data storage – Bosch Sensortec Reserved Memory | Write Write Write Write | non-volatile non-volatile non-volatile non-volatile |

Figure 1: Global memory map of SMB380

| Memory Region | Register Address (hexadecimal) | bit7 | bit6 | bit5 | bit4 | bit3 | bit2 | bit1 | bit0 | type | Default setting | | |
|------------------------------------|--------------------------------|------------------|----------------|------------------|---------------------------|--------------|-----------------|--------------|-----------|--------------|------------------|------------------|-------------|
| Bosch Sensortec Reserved Registers | 50h to 7Fh | BST reserved | | | | | | | | | BST reserved | NA | |
| | 43h to 49h | not used | | | | | | | | | not used | NA | |
| | 42h | BST reserved | | | | | | | | | BST reserved | NA | |
| | 41h | BST reserved | | | | | | | | | BST reserved | NA | |
| | 40h | BST reserved | | | | | | | | | BST reserved | NA | |
| | 3Fh | BST reserved | | | | | | | | | BST reserved | NA | |
| | 3Eh | BST reserved | | | | | | | | | BST reserved | NA | |
| Default Setting Registers | 3Dh | | | | offset_T (msb) | | | | | | trimming | NA | |
| | 3Ch | | | | offset_z (msb) | | | | | | trimming | NA | |
| | 3Bh | | | | offset_y (msb) | | | | | | trimming | NA | |
| | 3Ah | | | | offset_x (msb) | | | | | | trimming | NA | |
| | 39h | offset_T (lsb) | | | | gain_T | | | | | trimming | NA | |
| | 38h | offset_z (lsb) | | | | gain_z | | | | | trimming | NA | |
| | 37h | offset_y (lsb) | | | | gain_y | | | | | trimming | NA | |
| | 36h | offset_x (lsb) | | | | gain_x | | | | | trimming | NA | |
| | 35h | SPI4 | enable_adv_INT | new_data_INT | latch_INT | shadow_dis | wake_up_pause | | wake_up | | control | 1 0 0 0 0 0 0 0b | |
| | 34h | reserved | | | range<1:0> | | bandwidth<2:0> | | | | control | xxx 01 110b | |
| | 33h | | | | customer_reserved 2 <7:0> | | | | | | | status | 13 |
| | 32h | | | | customer_reserved 1 <7:0> | | | | | | | status | 162 |
| | 31h | any_motion_dur | | | | HG_hyst<2:0> | | LG_hyst<2:0> | | | | settings | 00 000 000b |
| | 30h | | | | any_motion_thres<7:0> | | | | | | | settings | 0 |
| | 2Fh | | | | HG_dur<7:0> | | | | | | | settings | 150 |
| | 2Eh | | | | HG_thres<7:0> | | | | | | | settings | 160 |
| | 2Dh | | | | LG_dur<7:0> | | | | | | | settings | 150 |
| | 2Ch | | | | LG_thres<7:0> | | | | | | | settings | 20 |
| | 2Bh | alert | any_motion | counter_HG | | counter_LG | | enable_HG | enable_LG | | control | 0 0 00 00 1 1b | |
| | 24h to 2Ah | not used | | | | | | | | | not used | NA | |
| | 23h | BST reserved | | | | | | | | | BST reserved | NA | |
| | 22h | BST reserved | | | | | | | | | BST reserved | NA | |
| | 21h | BST reserved | | | | | | | | | BST reserved | NA | |
| 20h | BST reserved | | | | | | | | | BST reserved | NA | | |
| 1Fh | BST reserved | | | | | | | | | BST reserved | NA | | |
| 1Eh | BST reserved | | | | | | | | | BST reserved | NA | | |
| 1Dh | | | | offset_T | | | | | | trimming | NA | | |
| 1Ch | | | | offset_z | | | | | | trimming | NA | | |
| 1Bh | | | | offset_y | | | | | | trimming | NA | | |
| 1Ah | | | | offset_x | | | | | | trimming | NA | | |
| 19h | offset_T | | | | gain_T | | | | | trimming | NA | | |
| 18h | offset_z | | | | gain_z | | | | | trimming | NA | | |
| 17h | offset_y | | | | gain_y | | | | | trimming | NA | | |
| 16h | offset_x | | | | gain_x | | | | | trimming | NA | | |
| Operational Registers | 15h | SPI4 | enable_adv_INT | new_data_INT | latch_INT | shadow_dis | wake_up_pause | | wake_up | control | 1 0 0 0 0 0 0 0b | | |
| | 14h | reserved | | | range<1:0> | | bandwidth<2:0> | | | | control | xxx 01 110b | |
| | 13h | | | | customer_reserved 2 <7:0> | | | | | | | status | 13 |
| | 12h | | | | customer_reserved 1 <7:0> | | | | | | | status | 162 |
| | 11h | any_motion_dur | | | | HG_hyst<2:0> | | LG_hyst<2:0> | | | | settings | 00 000 000b |
| | 10h | | | | any_motion_thres<7:0> | | | | | | | settings | 0 |
| | 0Fh | | | | HG_dur<7:0> | | | | | | | settings | 150 |
| | 0Eh | | | | HG_thres<7:0> | | | | | | | settings | 160 |
| | 0Dh | | | | LG_dur<7:0> | | | | | | | settings | 150 |
| | 0Ch | | | | LG_thres<7:0> | | | | | | | settings | 20 |
| | 0Bh | alert | any_motion | counter_HG | | counter_LG | | enable_HG | enable_LG | | control | 0 0 00 00 1 1b | |
| | 0Ah | reserved | reset_INT | update_image | ee_w | self_test_1 | self_test_0 | soft_reset | sleep | | control | x 0 0 0 0 0 0 0b | |
| | 09h | st_result | not used | | alert_phase | LG_latched | HG_latched | status_LG | status_HG | | status | NA | |
| | 08h | | | | temp<7:0> | | | | | | | data | NA |
| | 07h | | | | acc_z<9:2> (msb) | | | | | | | data | NA |
| | 06h | acc_z<1:0> (lsb) | | unused | | unused | | new_data_z | | | data | NA | |
| | 05h | | | | acc_y<9:2> (msb) | | | | | | | data | NA |
| 04h | acc_y<1:0> (lsb) | | unused | | unused | | new_data_y | | | data | NA | | |
| 03h | | | | acc_x<9:2> (msb) | | | | | | | data | NA | |
| 02h | acc_x<1:0> (lsb) | | unused | | unused | | new_data_x | | | data | NA | | |
| 01h | al_version<3:0> | | | unused | | | ml_version<3:0> | | | data | NA | | |
| 00h | unused | | | unused | | | chip_id<2:0> | | | data | ---- 010b | | |

EEPROM

Image



BOSCH

Preliminary Data Sheet
SMB380
Triaxial acceleration sensor

Bosch Sensortec

Important note:

Bits 5, 6 and 7 of register addresses 14h and 34h do contain critical sensor individual calibration data which must not be changed or deleted by any means.

In order to properly modify addresses 14h and/or 34h for range and/or bandwidth selection using bits 0, 1, 2, 3 and 4, it is highly recommended to read-out the complete byte, perform bit-slicing and write back the complete byte with unchanged bits 5, 6 and 7.

Otherwise the reported acceleration data may show incorrect results.

3.1 Operational registers

3.1.1 SPI4

The SPI4 bit (address 15h, bit 7) is used to select the correct SPI protocol (three-wire or four-wire, SPI-mode 3). The default value stored in the non-volatile part of the memory is SPI4=1 (four-wire SPI is default value !). After power on reset or soft reset or writing to EEPROM the SPI4 EEPROM setting (35h) is downloaded to the image register SPI4 and the corresponding SPI protocol is selected.

If the desired SPI is three-wire, the microcontroller must first write SPI4 to 0 (in image register only or in EEPROM). This first writing is possible because only CSB, SCK and SDI are required for a write sequence and the 3 bit timing diagrams are identical in three-wire and four-wire configuration.

Since EEPROM has limited write cycle lifetime (minimum 1000 cycles specified) it is recommended to use one of the following procedures.

Procedure 1 (recommended): Set SPI4 in image to correct value (SPI4=0 for SPI three-wire, SPI4=1 for SPI four-wire (=default)) every time after power on reset, soft reset or EEPROM write command.

Procedure 2: Verify chip-ID (address 00h) after every power on reset, soft reset or EEPROM write command to be chip_ID=02h. If chip_ID=FFh or chip_ID=00h unlock EEPROM (section 3.3.3) and set SPI4 to correct interface in EEPROM at 35h. Lock EEPROM. Optionally verify chip_ID after delay of >30ms.

Procedure 3: Set SPI4 once to correct interface in the EEPROM at 35h during final test procedure at customer.

3.1.2 Range

These two bits (address 14h, bits 4 and 3) are used to select the full scale acceleration range. Directly after changing the full scale range it takes $1/(2 \cdot \text{bandwidth})$ to overwrite the data registers with filtered data according to the selected bandwidth.

Table 3: Settings of full scale range register

| range<1:0> | Full scale acceleration range |
|------------|-------------------------------|
| 00 | +/- 2g |
| 01 | +/- 4g |
| 10 | +/- 8g |
| 11 | Not authorised code |

Important note:

Please refer to the comment in chapter 3 of how to protect bits 5, 6 and 7 when modifying other bits of register 14h.

3.1.3 Bandwidth

These three bits (address 14h, bits 2-0) are used to setup the digital filtering of ADC output data to obtain the desired bandwidth. A second order analogue filter defines the max. bandwidth to 1.5kHz. Digital filters can be activated to reduce the bandwidth down to 25Hz in order to reduce signal noise. The digital filters are moving average filters of various length with a refresh rate of 3kHz.

Table 4: Settings of bandwidth

| bandwidth<2:0> | Selected bandwidth (Hz) |
|-----------------------------|--------------------------------|
| 000 | 25 |
| 001 | 50 |
| 010 | 100 |
| 011 | 190 |
| 100 | 375 |
| 101 | 750 |
| 110 | 1500 |
| 111 | Not authorised code |

At wake-up from sleep mode to normal operation, the bandwidth is set to its maximum value and then reduced to bandwidth setting as soon as enough ADC samples are available to fill the whole digital filter.

Important note:

Please refer to the comment in chapter 3 of how to protect bits 5, 6 and 7 when modifying other bits of register 14h.

3.1.4 Wake_up

This bit (address 15h, bit 0) makes SMB380 automatically switching from sleep mode to normal mode after the delay defined by `wake_up_pause` (section 3.1.5). When the sensor IC goes from sleep to normal mode, it starts acceleration acquisition and performs interrupt verification (section 3.2). The sensor IC automatically switches back from normal to sleep mode again if no fulfilment of programmed interrupt criteria has been detected. The IC wakes-up for a minimum duration which depends on the number of required valid acceleration data to determine if an interrupt should be generated.

Example 1: if `bandwidth=110` (1.5kHz), `enable_LG=1` and `LG_dur=3Fh` (63ms), the sensor IC will need to acquire a minimum number of acceleration data:

- i) Wait for 1ms to have a stable acceleration value (wake-up time)
- ii) The sensor IC needs max. `LG_dur=3Fh=63ms` to verify if the acceleration stays under `LG_thres`.

Under this example condition, the maximum operational time is $1\text{ms} + 63 \cdot 1\text{ms} = 64\text{ms}$.

Example 2: if bandwidth=110 (1.5kHz), any_motion=1 (AND enable_adv_INT=1), any_motion_dur=01 and wake_up_pause=10 (360ms) the maximum operational time is:

- i) Wait for 1ms to have a stable acceleration value (wake-up time)
- ii) Acquire four data (each 330µs) to calculate first any motion criterion
- iii) Two further data conversions to enable verification of series of three any motion criteria.

Under this example conditions, the maximum operational time is $1\text{ms} + 6 \cdot 333\mu\text{s} = 3\text{ms}$.

If a latched interrupt is generated, this can be used to wake-up a microprocessor. The sensor IC will wait for a reset_INT command and restart interrupt verification. SMB380 can not go back to sleep mode if reset_INT is not issued after a latched interrupt.

If a not-latched interrupt is generated, the device waits in the normal mode till the interrupt condition disappears. The minimum duration of interrupt activation is 330µs. If no interrupt is generated, the sensor IC goes to sleep mode for a defined time (wake_up_pause).

3.1.5 Wake_up_pause

These bits (address 15h, bit 2 and 1) define the sleep phase duration between each automatic wake-up.

Table 5: Settings of wake_up_pause

| wake_up_pause<1:0> | Sleep phase duration |
|--------------------|----------------------|
| 00 | 20 ms |
| 01 | 80 ms |
| 10 | 320 ms |
| 11 | 2560 ms |

3.1.6 Shadow_dis

SMB380 provides the possibility to block the update of data MSB while LSB are read out. This avoids a potential mixing of LSB and MSB of successive conversion cycles. When this bit (address 15h, bit 3) is at 1, the blocking procedure for MSB is not realized and MSB only reading is possible.

3.2 Interrupt settings

Five different types of interrupts can be programmed. When the corresponding criterion becomes valid, the interrupt pin is triggered to a high level. All interrupt criteria are combined and drive the interrupt pad with an Boolean <OR> condition.

Interrupt generations may be disturbed by changes of EEPROM, image or other control bits because some of these bits influence the interrupt calculation. As a consequence, no write sequence should occur when microprocessor is triggered by interrupt or the interrupt should be deactivated on the microprocessor side when write sequences are operated.

Interrupt criteria are using digital code coming from digital filter output. As a consequence all thresholds are scaled with range selection (section 3.1.3.2). Timings used for high acceleration and low acceleration debouncing are absolute values (1 LSB of HG_dur and LG_dur registers corresponds to 1 millisecond, timing accuracy is proportional to oscillator accuracy = +/-10%), thus it does not depend on selected bandwidth. Timings used for any motion interrupt and alert detection are proportional to bandwidth settings (section 3.1.3).

3.2.1 Enable_LG:

This bit (address 0Bh, bit 0) enables the LG_thres criteria to generate an interrupt.

3.2.2 Enable_HG:

This bit (address 0Bh, bit 1) enables the HG_thres criteria to generate an interrupt.

3.2.3 Enable_adv_INT:

This bit (address 15h, bit 6) is used to disable advanced interrupt control bits (any_motion, alert). If enable_adv_INT=0, writing to these bits has no effect on sensor IC function.

3.2.4 Any_motion:

This bit ((address 0Bh, bit 6) enables the any motion criteria to generate directly an interrupt. It can not be turned on simultaneously with alert.

This bit can be masked by enable_adv_INT, the value of this bit is ignored when enable_adv_INT=0 (section 3.2.3).

3.2.5 Alert:

If this bit (address 0Bh, bit 7) is at 1, the any_motion criterion will set SMB380 into alert mode (section 3.2.9). This bit can be masked by enable_adv_INT, the value of this bit is ignored when enable_adv_INT=0 (section 3.2.3).

3.2.6 Latch_INT:

If this bit (address 15h, bit 4) is at 1, interrupts are latched. The INT pad stays high until microprocessor detects it and writes reset_INT control bit to 1 (section 3.3.1). When this bit is at 0, interrupts are set and reset directly by SMB380 according to programmable criteria (sections 3.2.7 and 3.2.8).

3.2.7 LG_thres, LG_hyst, LG_dur, counter_LG

LG_thres (address 0C, bits 7-0 / low-g threshold) and LG_hyst (address 11h, bits 2-0 / low-g threshold hysteresis) are used to detect a free fall. The threshold and duration codes define one criterion for interrupt generation when absolute value of acceleration is low for long enough duration.

Data format is unsigned integer.

LG_thres criterion_x is true if $|acc_x| \leq LG_thres / 255 * range$

LG_thres interrupt is set if $(LG_thres\ criterion_x\ AND\ LG_thres\ criterion_y\ AND\ LG_thres\ criterion_z)\ AND\ interrupt\ counter = (LG_dur+1)$

LG_thres criterion_x is false if $|acc_x| > (LG_thres + 32*LG_hyst) / 255 * range$

LG_thres interrupt is reset if $NOT(LG_thres\ criterion_x\ AND\ LG_thres\ criterion_y\ AND\ LG_thres\ criterion_z)$

LG_thres and LG_hyst codes must be chosen to have $(LG_thres + 32*LG_hyst) < 511$.

When LG_thres criterion becomes active, an interrupt counter is incremented by 1 LSB/ms. When the low-g interrupt counter value equals (LG_dur+1), an interrupt is generated.

Depending on counter_LG (address 0Bh, bit 3 and 2) register, the counter could also be reset or count down when LG_thres criterion is false.

Table 6: Description of debouncing counter counter_LG

| counter_LG<1:0> | low acceleration interrupt counter status when LG_thres criteria is false |
|-----------------|---|
| 00 | reset |
| 01 | Count down by 1 LSB/ms |
| 10 | Count down by 2 LSB/ms |
| 11 | Count down by 3 LSB/ms |

If latch_INT=0, the interrupt is not a latched interrupt and then it is reset as soon as LG_thres criteria becomes false. When interrupt occurs, the interrupt counter is reset.

The LG_thres criteria is set with an AND condition on all three axes to be used for free fall detection.

3.2.8 HG_thres, HG_hyst, HG_dur, counter_HG

HG_thres (address 0Eh, bits 7-0 / high-g threshold) and HG_hyst (address 11h, bits 5-3 / high-g threshold hysteresis) define the high-G level and its associated hysteresis. HG_dur (high-g threshold qualification duration) and counter_HG (address 0Bh, bits 5 and 4 / high-g counter down register) are used for debouncing the high-g criteria.

Threshold and duration codes define a criterion for interrupt generation when absolute value of acceleration is high for long enough duration.

The data format is unsigned integer.

HG_threshold criterion_x is true if $|acc_x| \geq HG_thres / 255 * range$

HG_threshold interrupt is set if (HG_thres criterion_x OR HG_thres criterion_y OR HG_thres criterion_z) AND interrupt counter = (HG_dur+1)

HG_threshold criterion_x is false if $|acc_x| < (HG_thres - 32*HG_hyst) / 255 * range$

HG_threshold interrupt is reset if NOT(HG_thres criterion_x OR HG_thres criterion_y OR HG_thres criterion_z)

HG_thres and HG_hyst codes must be chosen to have $(HG_thres - 32*HG_hyst) > 0$.

When HG_thres criterion becomes active, a counter is incremented by 1 LSB/ms. When the high-g acceleration interrupt counter value equals (HG_dur+1), an interrupt is generated. Depending on counter_HG register value, the counter could also be reset or count down when HG_thres criterion is false.

Table 7: Description of debouncing counter_HG

| counter_HG<1:0> | High acceleration interrupt counter status when HG_thres criterion is false |
|-----------------|---|
| 00 | reset |
| 01 | Count down by 1 LSB/ms |
| 10 | Count down by 2 LSB/ms |
| 11 | Count down by 3 LSB/ms |

If latch_INT=0, the interrupt is not a latched interrupt and then it is reset as soon as HG_thres criterion becomes false. When interrupt occurs, the interrupt counter is reset.

3.2.9 Any_motion_thres, any_motion_dur

For the evaluation using “any motion” criterion successive acceleration data from digital filter output are stored and moving differences for all axes are built. To calculate the difference the acceleration values of all axes at time t_0 are compared to values at $t_0+3/(2*\text{bandwidth})$. The difference of both values is equal to the difference of two successive moving averages (from three data points).

The differential value is compared to a global critical threshold any_motion_thres (address 10h, bits 7-0). Interrupt can be generated when the absolute value of measured difference is higher than the programmed threshold for long enough duration defined by any_motion_dur (address 11h, bits 7 and 6).

Any_motion_thres and any_motion_dur data are unsigned integer. Any_motion_thres LSB size corresponds to 15.6mg for +/- 2g range and scales with range selection (section 3.1.2).

Any motion criterion is valid if $|\text{acc}(t_0) - \text{acc}(t_0 + 3/(2 * \text{bandwidth}))| \geq \text{any_motion_thres}$.

An interrupt is set if (any motion criterion_x OR any motion criterion_y OR any motion criterion_z) for any_motion_dur consecutive times.

The any motion interrupt is reset if NOT(any_motion criterion_x OR any_motion criterion_y OR any_motion criterion_z) for any_motion_dur consecutive times.

Table 8: any_motion_dur settings

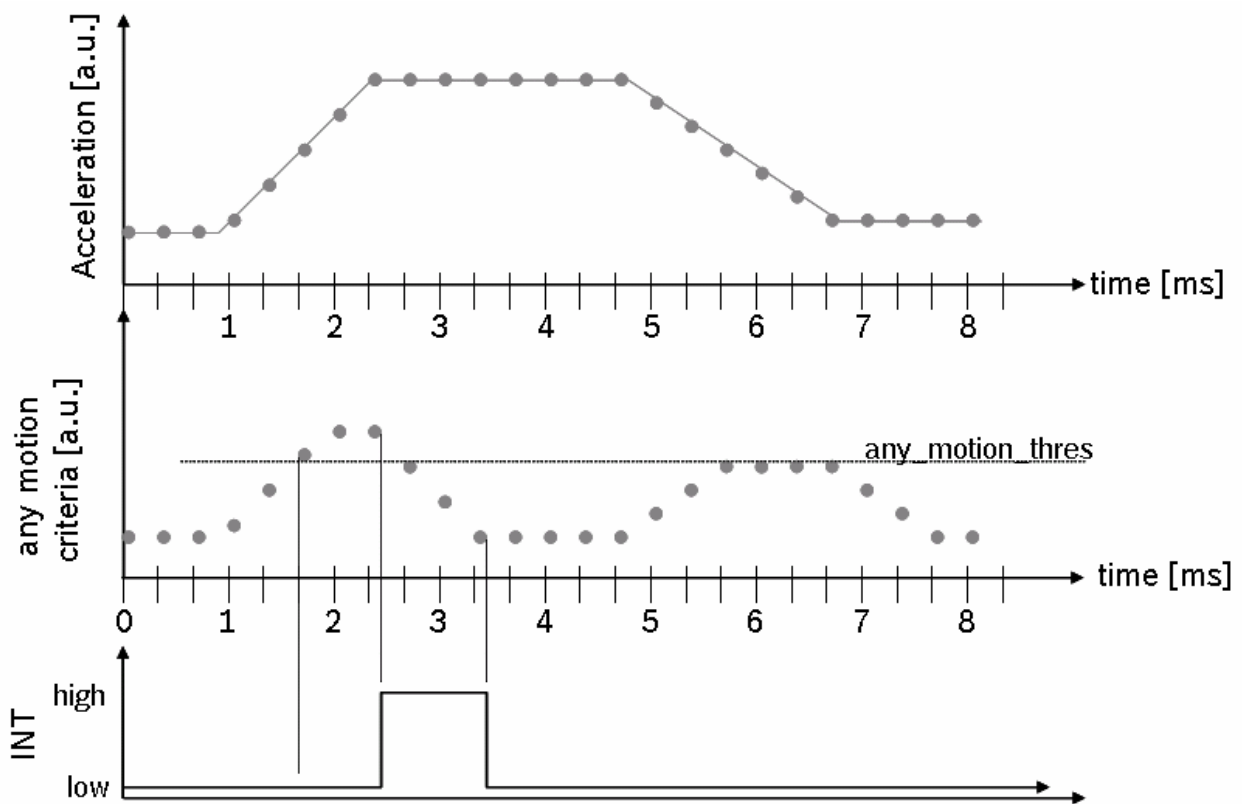
| any_motion_dur<1:0> | Number of required consecutive conditions to set or reset the any motion interrupt |
|---------------------|--|
| 00 | 1 |
| 01 | 3 |
| 10 | 5 |
| 11 | 7 |

Any_motion_dur is used to filter the motion profile and also to define a minimum interrupt duration because the reset condition is also filtered.

Any_motion_thres can be used to generate an any_motion interrupt or to put SMB380 in alert mode to preload the low-g or high-g threshold logic (enables reduction of reaction time in tumbling mode); this is selected by alert bit (section 3.2.5). These two modes (any_motion and alert) can not be turned on simultaneously.

Figure 2: Any motion criterion (middle graph) is determined from digital filter output (upper graph) and depends on bandwidth settings: for example for any_motion_dur=01b and bandwidth=110b (1.5kHz), we have $2 * \text{bandwidth} = 3 \text{ksamples/s}$ which leads to reaction for interrupt activation of $3 * 333 \mu\text{s} = 1 \text{ms}$ and a minimum any motion interrupt duration of $3 * 333 \mu\text{s} = 1 \text{ms}$ (see lower graph).

If lower bandwidth is selected i) the digitally filtered values (lower noise) are taken for the verification of the any motion criterion and ii) the time scale to evaluate the criterion is stretched. Thus adjusting the bandwidth, the any motion threshold, the any motion duration as well as the full scale range enables to tailor the sensitivity of the any motion algorithm.



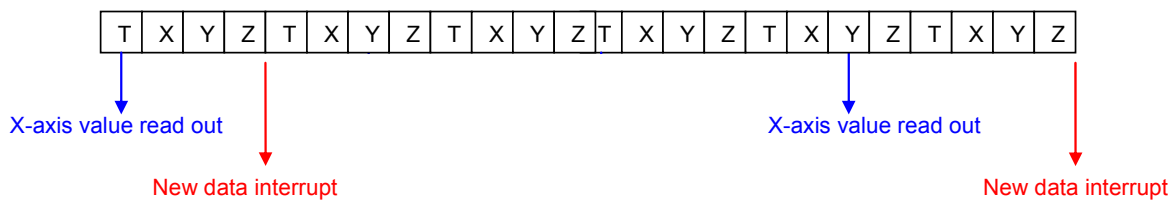
3.2.10 New_data_int

If this bit (address 15h, bit 5) is set to 1, an interrupt will be generated when all three axes acceleration values are new, i.e. SMB380 updated all acceleration values after latest serial read-out. Interrupt generated from new data detection is a latched one; microcontroller has to write reset_INT at 1 after interrupt has been detected high (section 3.3.1). This interrupt is also reset by any acceleration byte read procedure (read access to address 02h to 07h).

New data interrupt always occurs at the end of the Z-axis value update in the output register (3kHz rate). Following figure shows two examples of X-axis read out and the corresponding interrupt generation.

Figure 3: Explanation of new data interrupt.

- left side - read out command of x-axis prior to next x-axis conversion
 → new data interrupt after completion of current conversion cycle after z-axis conversion
- right side - read out of x-axis send after x-axis conversion
 → new data interrupt at the end of next period when x axis has been updated



3.3 Control registers

All single control bits are active at 1.

3.3.1 Reset_INT

This interrupt (address 0Ah, bit 6) is reset (interrupt pad goes to low) each time this bit is written to 1.

3.3.2 Update_image

When this bit (address 0Ah, bit 5) is set at 1, an image update procedure is started: all EEPROM content is copied to image registers. The bit update_image is turned at 0 when the procedure is finished. No write or read to image registers and EEPROM write is allowed during their update from EEPROM. An automatic update image procedure also occurs after power on reset and after soft_reset has been written to 1.

The update_image procedure may overwrite the SPI4 setting (section 3.1.1). Thus the correct interface configuration may have to be updated.

3.3.3 Ee_w

ee_w (address 0Ah, bit 4) is used to enable/disable the access to default setting registers.

This bit must first be written to 1 to enable write access to 16h to 3D and to enable read access to 16h to 22h. When this bit is at 0, any access to addresses from 16h to 7Fh has no effect; any read to these addresses set SDO to tri-state (4-wire SPI) or SDI to tri-state (3-wire SPI and I²C). This is valid for all serial interface (I²C, SPI 3-wire or SPI 4-wire).

I²C acknowledgement procedure for access to non-protected or blocked memory regions:

- I²C slave address: if correct, the SMB380 sets acknowledge.
- I²C register address (I²C write): The SMB380 sets acknowledge for both unprotected and protected registers.
- I²C write data (I²C write): The SMB380 sets acknowledge for both unprotected and protected registers; no write is done for protected register.
- I²C read data (I²C read): acknowledge is set by master; no error detection is possible; SDI is set to Hi-Z for protected register (0xFF is sent)

After power on reset ee_w=0. So EEPROM and all addresses from 16h to 7Fh can not be directly written or read.

3.3.4 Selftest_0

The self-test command (address 0Ah, bit 2) uses electrostatic forces to move the MEMS common electrode. The result from selftest can be verified by reading st_result (section 3.4.1). During selftest procedurno external change of the acceleration should be generated.

3.3.5 Selftest_1

This self test bit (address 0Ah, bit3) does not generate any electrostatic force in the MEMS element but is used to verify the interrupt function is working correctly and that microprocessor is able to react to the interrupts.

0g acceleration is emulated at ADC input and the user can detect the whole logic path for interrupt, including the PCB path integrity. The LG_thres register must be set to about 0.4g while LG_dur = 0 to generate a low-g interrupt

3.3.6 Soft_reset

SMB380 is reset each time this bit (address 0Ah, bit 1) is written to 1. The effect is identical to power-on reset. Control, status and image registers are reset to values stored in the EEPROM. After soft_reset or power-on reset SMB380 comes up in normal mode or wake-up mode. It is not possible to boot SMB380 to sleep mode.

No serial transaction should occur within 10us after soft_reset command.

The soft_reset procedure may overwrite the SPI4 setting (section 3.1.1). Thus the correct interface configuration may have to be updated.

3.3.7 Sleep

This bit (address 0Ah, bit 0) turns the sensor IC in sleep mode. Control and image registers are not cleared.

When SMB380 is in sleep mode no operation can be performed but wake-up the sensor IC by setting sleep=0 or soft_reset. As a consequence all write and read operations are forbidden when the sensor IC is in sleep mode except command used to wake up the device or soft_reset command. After sleep mode removal, it takes 1ms to obtain stable acceleration values (>99% data integrity). User must wait for 10ms before first EEPROM write. For the same reason, SMB380 must not be turned in sleep mode when any update_image, self_test or EEPROM write procedure is on going.

3.4 Status registers

3.4.1 St_result

This is the self test result bit (address 09h, bit 7). It can be used together with selftest_0 control bit (section 3.3.4). After selftest_0 has been set, self-test procedure starts. At the end selftest_0 is written to 0 and microcontroller can react by reading st_result bit. When st_result=1 the self test passed successfully.

3.4.2 Alert_phase

This status bit (address 09h, bit 4) is set when SMB380 has been set to alert mode (section 3.2.5) and an any motion criterion has been detected. During alert phase, HG_dur and LG_dur variables are decreased to have a smaller reaction time when HG_thres and LG_thres thresholds are crossed; the decrease rate is by 1 ms per ms.

The alert mode is reset when an interrupt generated due to a high threshold or a low threshold event or when both HG_dur and LG_dur variables are at 0. When alert is reset, HG_dur and LG_dur variables come back to their original values stored in image registers.

3.4.3 LG_latched, HG_latched

These status bits (address 09h, bit 3 and address 09h, bit 2) are set when the corresponding criteria have been issued. They are latched and thus only the microcontroller can reset them. When both high acceleration and low acceleration thresholds are enabled, these bits can be used by microprocessor to detect which criteria generated the interrupt.

3.4.4 Status_LG, status_HG

These status bits (address 09h, bit 1 and address 09h, bit 2) are set when the corresponding criteria have been issued; they are automatically reset by SMB380 when the criteria disappear.

3.4.5 Customer_reserved 1, customer_reserved 2

Both bytes (address 12h, bit 7-0 and address 13h, bit 7-0) can be used by customer. Writing or reading of these registers has no effect on the sensor IC functionality.

If information has to be stored in a non-volatile memory addresses 32h and 33h have to be used. The write access to EEPROM takes ca. 30ms. Since EEPROM has limited write cycle lifetime special care has to be taken to this issue.

3.5 Data registers

3.5.1 Temp

A thermometer (address 08h, bit 7-0) is embedded in SMB380. Temperature resolution is 0.5°C/LSB. Code 00h stands for lowest temperature which is -30°C. This minimum value can be corrected by trimming of the offset of the temperature sensor IC (not described in this datasheet).

3.5.2 Acc_x, acc_y, acc_z

Acceleration values are stored in the following registers to be read out through serial interface.

acc_x (02h, 7-6; 03h, 7-0)

acc_y (04h, 7-6; 05h, 7-0)

acc_z (06h, 7-6; 07h, 7-0)

The description of the digital signals acc_x, acc_y and acc_z is “2’s complement”.

From negative to positive accelerations, the following sequence for the ±2g measurement range can be observed (±4g and ±8g correspondingly):

| | | |
|---------|---|---------------|
| -2.000g | : | 10 0000 0000 |
| -1.996g | : | 10 0000 0001 |
| ... | | |
| -0.004g | : | 11 1111 1111 |
| 0.000g | : | :00 0000 0000 |
| +0.004g | : | 00 0000 0001 |
| ... | | |
| +1.992g | : | 01 1111 1110 |
| +1.996g | : | 01 1111 1111 |

Data is periodically updated (rate 3kHz) with values from the digital filter output. LSB acceleration bytes must be read first. After an acceleration LSB byte read access, the corresponding MSB byte update can optionally be blocked until it is also accessed for read. Thus, MSB / LSB mix from different samples can be avoided (section 3.1.6).

It is not possible to read-out only MSB bytes if shadow_dis=0, an LSB byte must first be read out. To be able to read out only MSB byte, shadow_dis must be written to 1.

new_data_* flags on bits 0 of acc_x (LSB), acc_y (LSB) and acc_z (LSB) can be used to detect if acceleration values have already been read out (section 3.5.3).

If systematic acceleration values read out is planned (for signal processing by the microcontroller), the interrupt pad can be programmed to flag the new data (section 3.2.10). Every time all temperature plus three axes values have been updated, the interrupt goes high

and microcontroller can read out data. With this method, microcontroller accesses are synchronized with internal sensor IC updates.

Synchronization of read-out sequence has several advantages:

- it enables a constant phase shift between acceleration conversion and its corresponding digital value read by microprocessor
- it reduces interface communication by avoiding over-sampling.
- potential noise due to serial interface activity perturbation would always be generated during a less critical phase of the conversion cycle. The maximum delay advised to start read out acceleration data is 20 μ s after INT high (window 0-80 μ s).

3.5.3 New_data_x, new_data_y, new_data_z

These bits (New_data_x (02h, 0), new_data_y (04h, 0), new_data_z (06h, 0)) are flags which are turned at 1 when acceleration registers have been updated. Reading acceleration data MSB or LSB registers turns the flags at 0. The flag value can be read by microprocessor.

3.5.4 Al_version, ml_version, chip_id

al_version (address 01h, bit 7-4) and ml_version (address 01h, bit 3-0) are used to identify the chip revision. These codes are programmed with metal layer.

chip_id (address 00h, bit 2-0) is used by customer to be able to recognize SMB380. This code is fixed to 010b.

4. Digital interface

Although the SMB380 can basically operate in a stand-alone mode without an external microcontroller (see chapter 6 for more details), it also provides various options to be adjusted to customer specific hardware requirements using a microcontroller. Therefore, it provides three different digital interfaces (SPI 4-wire, SPI 3-wire, I²C) and an interrupt output pin.

The digital interface is used for regular reading of data registers (acceleration and temperature). For a complete read out of acceleration data two successive read cycles are required. The 10 bit coded data word is split into 8 MSB and 2 LSB. The most significant bit (MSB) is transferred first during address and data phases.

The serial interface is also used for verifying status registers or writing to control registers or customized EEPROM programming.

4.1 SPI

The SPI interfaces using three wire or four wire bus provide 16-bit protocols. Multiple read out is possible.

The communication is opened with a read/write control bit (R/W=0 for writing, R/W=1 for reading) followed by 7 address bits and at least 8 data bits (see figure 6 and figure 7). For a complete readout of 10 bit acceleration data from all axes the sensor IC provides the option to use an automatic incremented read command to read more than one byte (multiple read). This is activated when the serial enable pin CSB (chip select) stays active low after the read out of a data register. Thus, read out of data LSB will also cause read out of MSB if the CSB stays low for further 8 cycles of system clock.

The customer has the possibility to communicate with operational registers at addresses 00h-15h via SPI interface (chip identification Bytes, data Bytes, status and control registers with setting parameters). Access to the residual part of the memory map is locked (section 3.3.3). If the master addresses outside the range 00h-15h then SDI will go to tri-state enabling the communication of a second device on the same CSB and SDI line.

The CSB input has an internal 120kΩ pull-up resistor to VDDIO.
For more details, please refer to chapter 6 within this document.

4.1.1 Four-wire SPI interface

The 4-wire SPI is the default serial interface. The customer can easily activate 3-wire SPI by writing a control bit (SPI4=0). The 4-wire SPI interface uses SCK (serial clock), CSB (chip select), SDI (serial data in) and SDO (serial data out).

CSB is active low. Data on SDI is latched by SMB380 at SCK rising edge and SDO is changed at SCK falling edge (SPI mode 3). Communication starts when CSB goes to low and stops when CSB goes to high; during these transitions on CSB, SCK must be high. While CSB=1, no SDI change is allowed when SCK=1.

Figure 4: Timing diagram for four-wire SPI interface

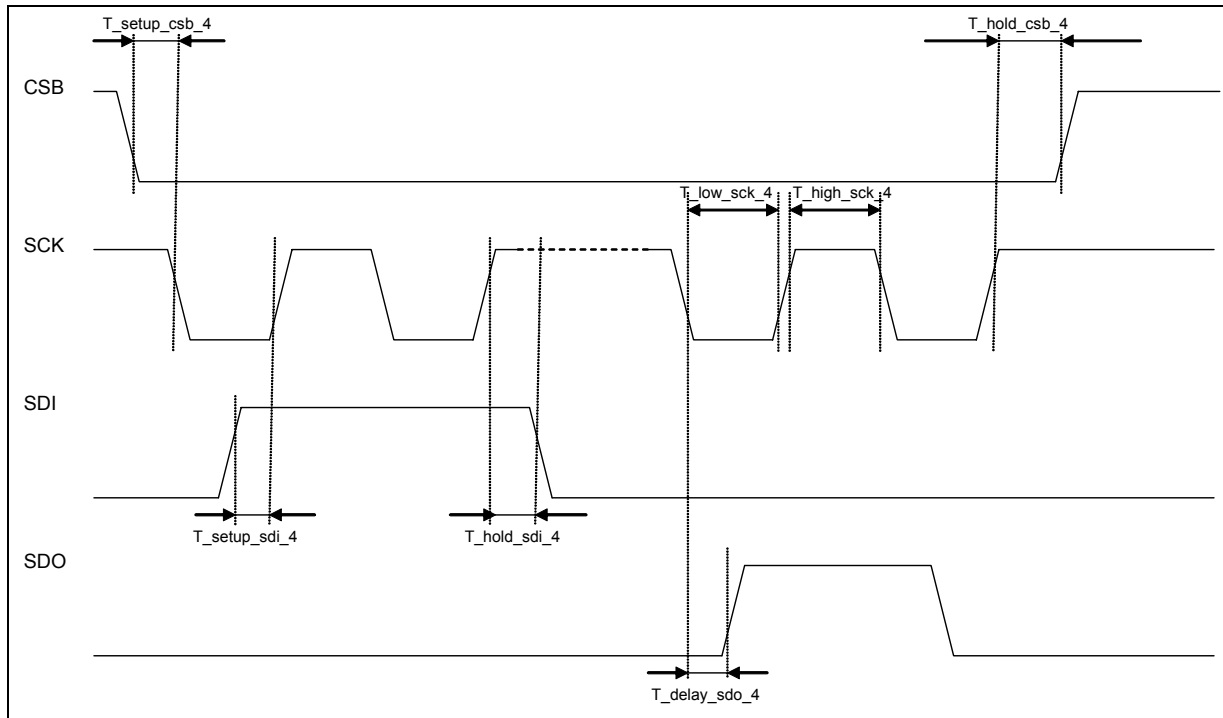
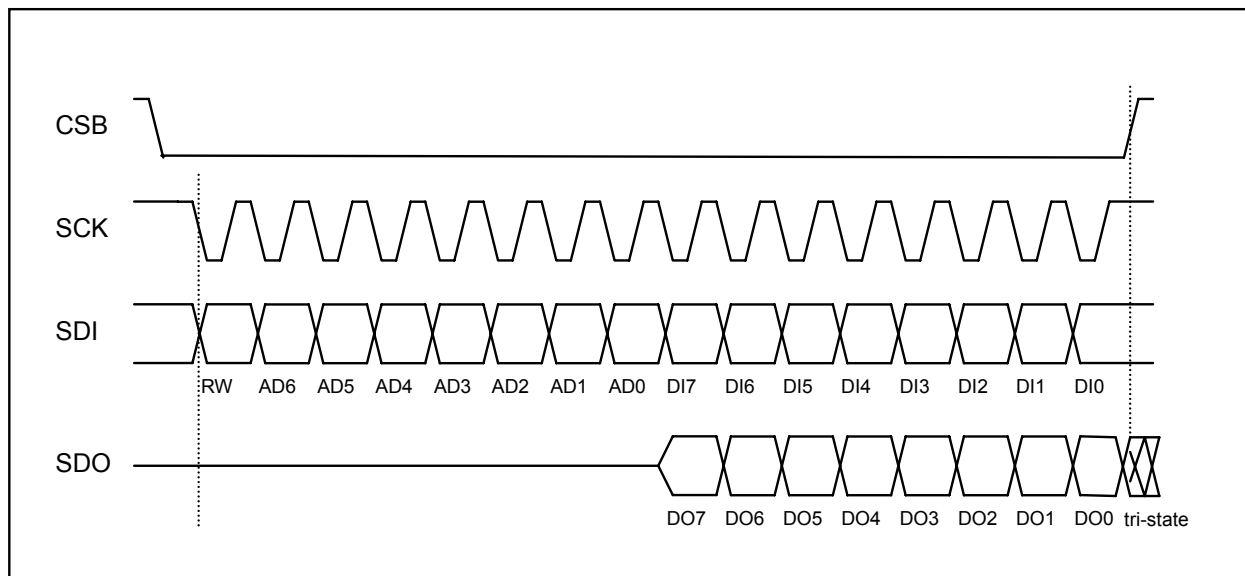


Figure 5: Four wire SPI bit transfer




| | | |
|--|---|-----------------|
|  BOSCH | Preliminary Data Sheet SMB380 Triaxial acceleration sensor | Bosch Sensortec |
|--|---|-----------------|

Table 9: Specification of four-wire SPI serial interface

| Interface parameters : | | Conditions | Min. | Typ. | Max. | unit |
|-------------------------------|--------------|--------------------------------------|-------------|-------------|-------------|-------------|
| Input - low level | Vil_si | Vddio=1.62V to 3.6V | | | 0.3*Vddio | V |
| Input - high level | Vih_si | Vddio=1.62V to 3.6V | 0.7*Vddio | | | V |
| Output – low level | Vol_SDI | Vddio=1.8V, iol=3 mA | | | 0.4 | V |
| Output – high level | Voh_SDI | Vddio=1.8V, ioh=1mA | 1.4 | | | V |
| Load capacitor (on SDO) | Csdo_spi | For 10MHz SPI transfer | | | 25 | pF |
| CSB pull-up resistor | CSB_pull_up | Internal pull-up resistance to VDDIO | 70 | 120 | 190 | kΩ |
| 4-wire SPI timings : | | | | | | |
| SPI clock input frequency | Fspi_4 | | | | 10 | MHz |
| SCK low pulse | Tlow_sck_4 | | 5 | | | ns |
| SCK high pulse | Thigh_sck_4 | | 5 | | | ns |
| SDI setup time | Tsetup_sdi_4 | | 5 | | | ns |
| SDI hold time | Thold_sdi_4 | | 5 | | | ns |
| SDO output delay | Tdelay_sdo_4 | | | | 25 | ns |
| CSB setup time | Tsetup_csb_4 | | 5 | | | ns |
| CSB hold time | Thold_csb_4 | | 5 | | | ns |

Figure 6: When write is required, sequences of 2 bytes are necessary: 1 control byte to define the address to be written and the data byte.

| | | Control byte | | | | | | | | Data byte | | | | | | | | | | Control byte | | | | | | | | Data byte | | | | | | | | | |
|---------|----|------------------------|---|---|---|---|---|---|---|----------------------------|---|---|---|---|---|---|---|----|------------------------|--------------|---|---|---|---|---|---|----------------------------|-----------|---|---|---|---|---|---|------|---------|--|
| Start | RW | Register address (16h) | | | | | | | | Data register - adress 1Eh | | | | | | | | RW | Register address (0Bh) | | | | | | | | Data register - adress 02h | | | | | | | | Stop | | |
| CSB = 0 | | 0 | 0 | 0 | 1 | 0 | 1 | 1 | 0 | X | X | X | X | X | X | X | X | X | 0 | 0 | 0 | 0 | 1 | 0 | 1 | 1 | X | X | X | X | X | X | X | X | X | CSB = 1 | |

Figure 7: When read access is required, the sequence consists of 1 control byte to define first address to be read followed by data bytes. Addresses are automatically incremented as long as CSB stays active low.

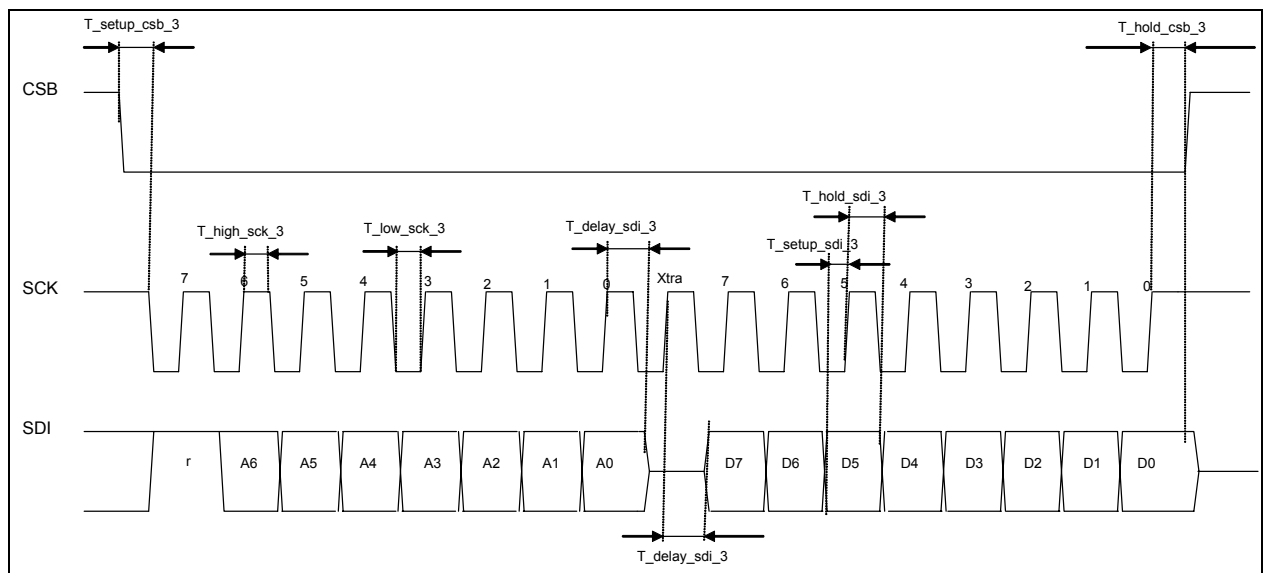
| | | Control byte | | | | | | | | Data byte | | | | | | | | Data byte | | | | | | | | Data byte | | | | | | | | | | | |
|---------|----|------------------------|---|---|---|---|---|---|---|----------------------------|---|---|---|---|---|---|---|----------------------------|---|---|---|---|---|---|---|----------------------------|---|---|---|---|---|---|---|------|---|---|---------|
| Start | RW | Register address (02h) | | | | | | | | Data register - adress 02h | | | | | | | | Data register - adress 03h | | | | | | | | Data register - adress 04h | | | | | | | | Stop | | | |
| CSB = 0 | | 1 | 0 | 0 | 0 | 0 | 0 | 1 | 0 | X | X | X | X | X | X | X | X | X | X | X | X | X | X | X | X | X | X | X | X | X | X | X | X | X | X | X | CSB = 1 |

4.1.2 Three-wire SPI interface

3-wire SPI is not the default serial interface. The customer can easily activate 3-wire SPI by setting a control bit (SPI4=0). The 3-wire SPI interface uses SCK (serial clock), CSB (chip select, active low) and SDA (serial data in/out). A maximum clock frequency up to 70MHz can be handled.

The protocol data acquisition by the sensor IC occurs at the rising edge of SCK. The output data provided by the sensor IC is synchronized also on the rising edges of SCK. The 3-wire read protocol needs one extra clock cycle between address byte and data output byte.

Figure 8: Timing diagram for three-wire SPI interface (SDI = SDA)




| | | |
|--|---|-----------------|
|  BOSCH | Preliminary Data Sheet SMB380 Triaxial acceleration sensor | Bosch Sensortec |
|--|---|-----------------|

Table 10: Specification of three-wire SPI serial interface

| | | Conditions | Min. | Typ. | Max. | unit |
|------------------------------|--------------|---|-----------|------|-----------|------|
| Input - low level | Vil_si | Vddio=1.62V to 3.6V | | | 0.3*Vddio | V |
| Input - high level | Vih_si | Vddio=1.62V to 3.6V | 0.7*Vddio | | | V |
| Output – low level | Vol_SDI | Vddio=1.8V, iol=3 mA | | | 0.4 | V |
| Output – high level | Voh_SDI | Vddio=1.8V, ioh=1mA | 1.4 | | | V |
| CSB pull-up resistor | CSB_pull_up | Internal pull-up resistance to VDDIO | 70 | 120 | 190 | kΩ |
| Load capacitor (on SDO) | Csdo_spi | for 70MHz SPI transfer | | | 10 | pF |
| 3-wire SPI timings : | | | | | | |
| SPI clock input frequency | Fspi_3 | | | | 70 | MHz |
| SCK low pulse | Tlow_sck_3 | | 5 | | | ns |
| SCK high pulse | Thigh_sck_3 | | 5 | | | ns |
| SDI setup time | Tsetup_sdi_3 | | 3.8 | | | ns |
| SDI hold time | Thold_sdi_3 | | 2 | | | ns |
| SDI output delay | Tdelay_sdi_3 | when SDI is an output for read | | | 10.5 | ns |
| CSB setup time | Tsetup_csb_3 | | 5 | | | ns |
| CSB hold time | Thold_csb_3 | | 5 | | | ns |

Figure 9: The three wire SPI write protocol is identical to four wire bus

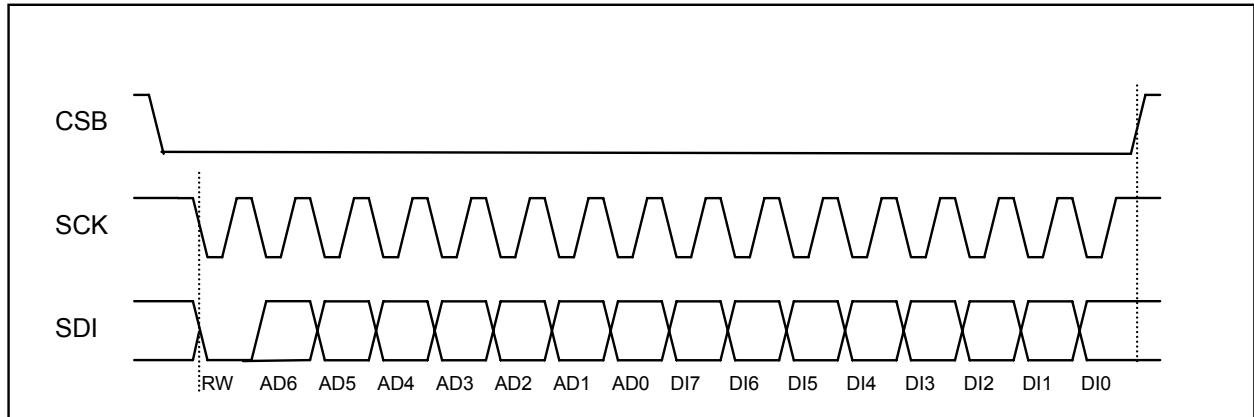
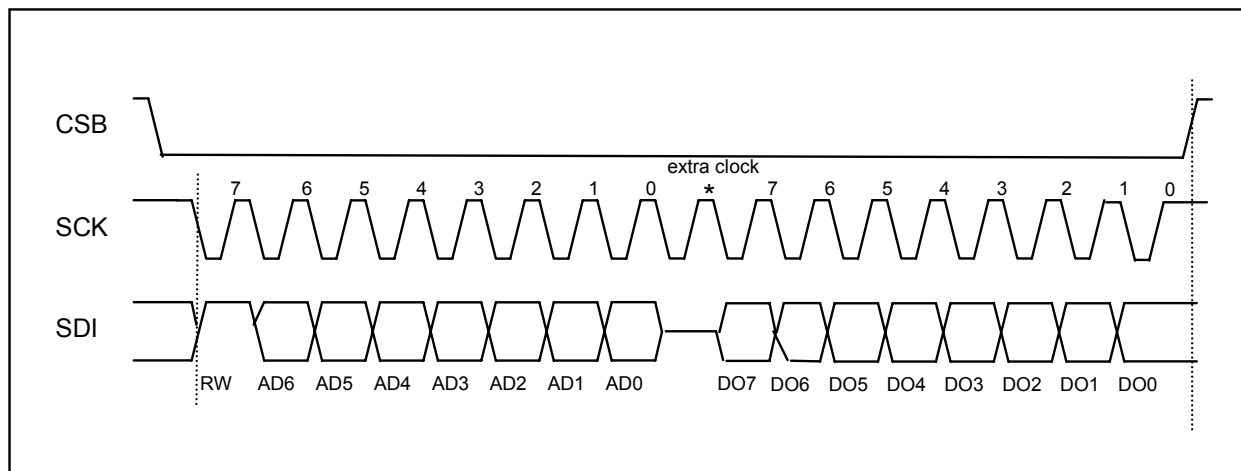


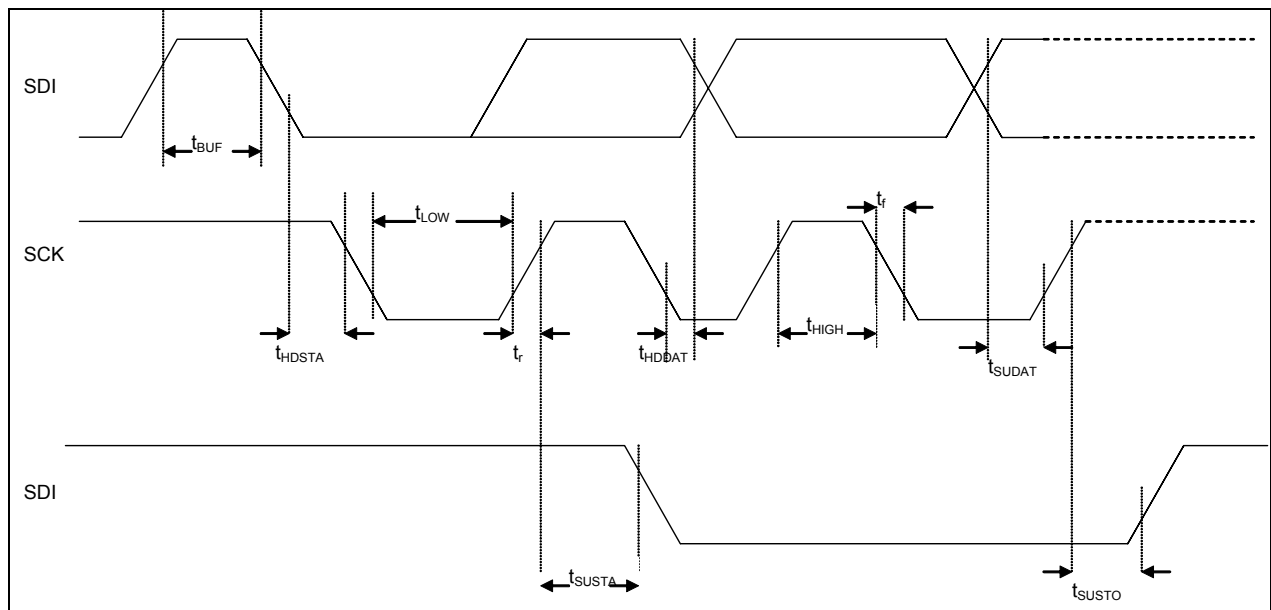
Figure 10: For three wire read protocol one extra clock between address byte and data out byte is required. Output data are changed on SDI (SDI=SDA) by SCK rising edge and should be latched by microprocessor during next SCK rising edge.



4.2 I²C interface

The SMB380 automatically detects I²C or SPI communication. Please refer to chapter 6 later in this document. The I²C bus uses SCK (serial clock) and SDA (=SDI, serial data input/output). SDA is bidirectional with pull down open drain; it must be externally connected to VDDIO via a pull up resistor. CSB is not used and must be connected to VDDIO.

Figure 11: Timing diagram for I²C interface (SDI=SDA)




| | | |
|--|---|-----------------|
|  BOSCH | Preliminary Data Sheet SMB380 Triaxial acceleration sensor | Bosch Sensortec |
|--|---|-----------------|

Table 11: Specification of I²C serial interface (SDI=SDA)

| Interface parameters : | | Conditions | Min. | Typ. | Max. | unit |
|---|------------------|----------------------|-------------|-------------|-------------|-------------|
| Input - low level | Vil_si | Vddio=1.62V to 3.6V | | | 0.3*Vddio | V |
| Input - high level | Vih_si | Vddio=1.62V to 3.6V | 0.7*Vddio | | | V |
| Output – low level | Vol_SDI | Vddio=1.8V, iol=3 mA | | | 0.4 | V |
| Output – high level | Voh_SDI | Vddio=1.8V, ioh=1mA | 1.4 | | | V |
| I ² C bus load capacitor | Cb | On SDI and SCK | | | 100 | pF |
| I²C timings : | | | | | | |
| SCK frequency | F ^{I2C} | | | | 3.4 | MHz |
| SCK low period | Tlow | | 160 | | | ns |
| SCK high period | Thigh | | 60 | | | ns |
| SDI setup time | Tsudat | | 10 | | | ns |
| SDI hold time | Thddat | | 10 | | 70 | ns |
| Setup time for a repeated start condition | Tsusta | | 160 | | | ns |
| Hold time for a start condition | Thdsta | | 160 | | | ns |
| Setup time for a stop condition | Tsusto | | 160 | | | ns |
| Time before a new transmission can start | Tbuf | | 100 | | | ns |

Start and stop conditions:

Data transfer begins by a falling edge on SDA when SCK is high (start condition (S) indicated by I²C bus master). Stop condition (P) is a rising edge on SDA when SCK is high (see figure 12).

Bit transfer:

One data bit is transferred during each SCK pulse. Data on SDA line must remain stable during high period of SCK pulse (see figure 13).

Acknowledge:

After start condition each byte of data transfer is followed by an acknowledge bit. The transmitter let the SDA line high (no pull down) and generates a high SCK pulse. If SMB380 has been addressed and data transfer has performed correctly it generates a low SDA level (active pull down). Then SDA line is let free enabling the next transfer (see figure 14).

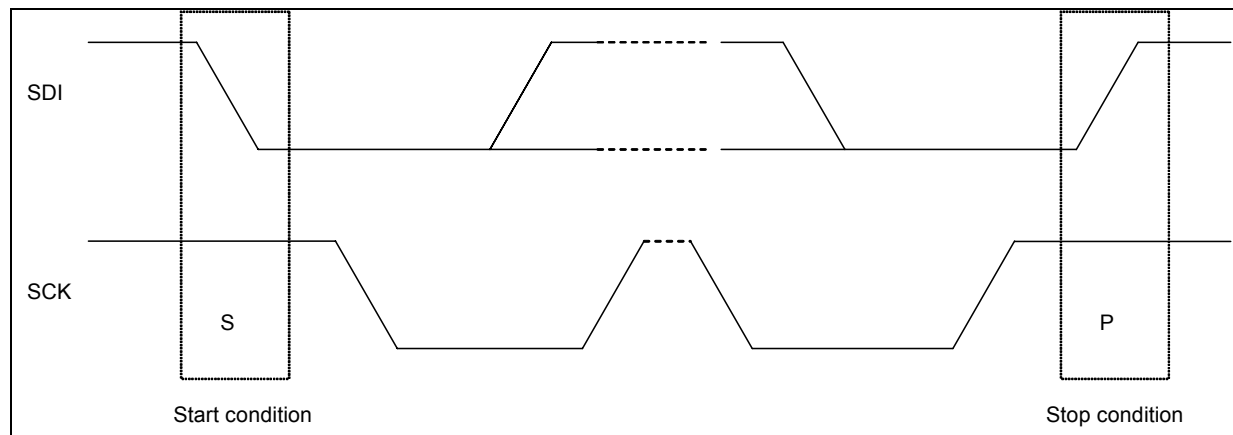
Figure 12: Timing diagram for I²C start and stop condition (SDI=SDA)

Figure 13: Timing diagram for one bit transfer with I²C interface (SDI=SDA)

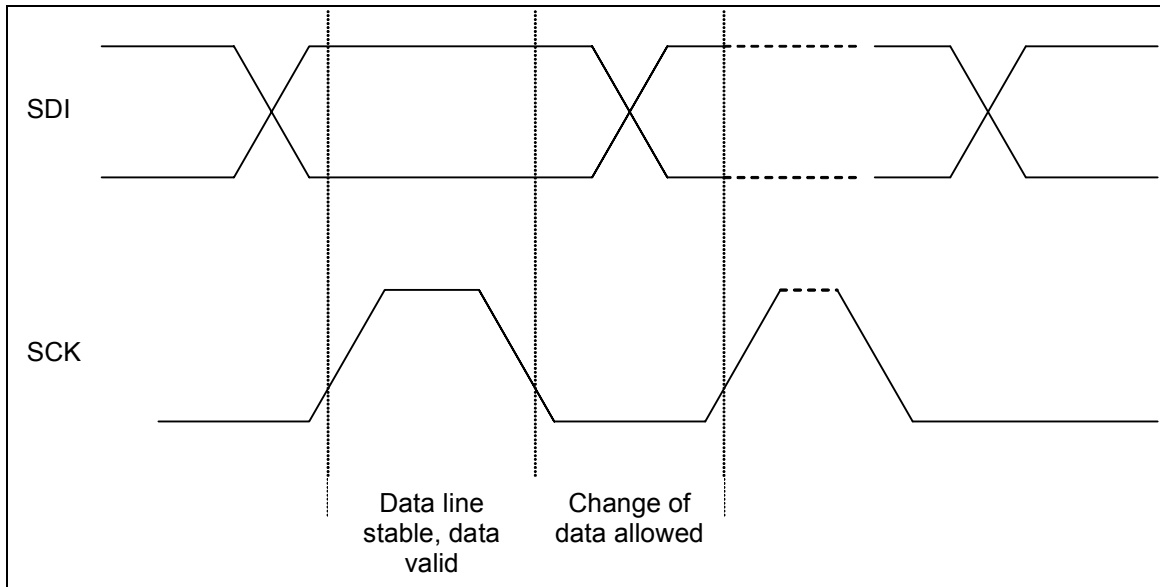
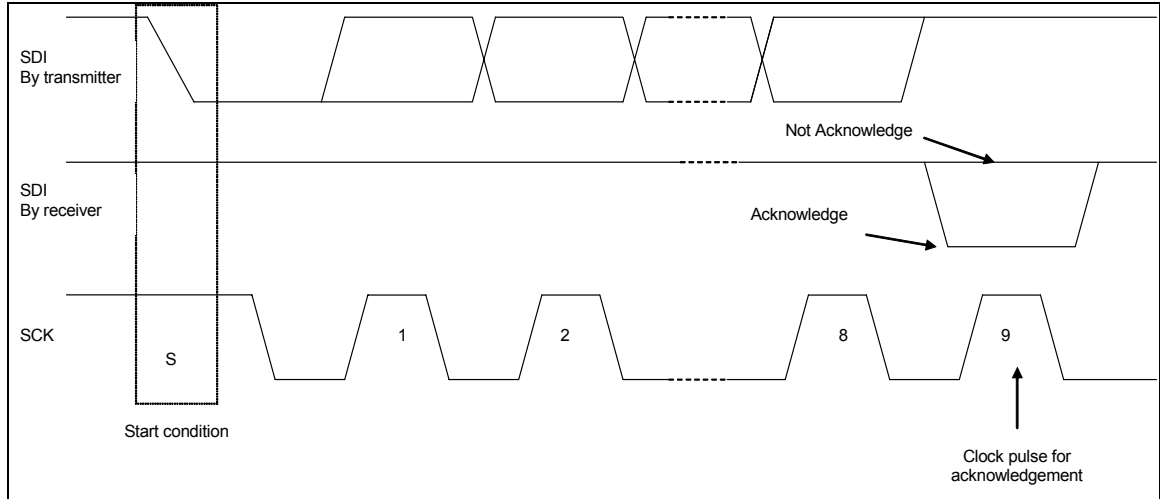


Figure 14: Timing diagram for I²C acknowledgement on SDI (SDI=SDA)



4.2.1 I²C protocol:

The SMB380 I²C slave address is coded on 7 bits (0111000b=38h) fixed by a metal option. Thus I²C write address is 0111000b (=70h), read address is 01110001b (=71h).

After a start condition, the slave address + RW bit must be send. If the slave address does not match with SMB380 there is no acknowledgement and the following data transfer will not affect the chip. If the slave address corresponds to SMB380 it will acknowledge (pull SDA down during 9th clock pulse) and data transfer is enabled. The 8th bit RW sets the chip in read or write mode, RW=1 for reading, RW=0 for writing.

After slave address and RW bit, the master sends 1 control byte: the 7-bit register address and one dummy bit.

When SMB380 is accessed in write mode, sequences of 2 bytes (= 1 control byte to define which address will be written and 1 data byte) must be sent:

Figure 15: I²C multiple write protocol



To be able to access registers in read mode, first address has to be send in write mode. Then a stop and a start conditions are issued and data bytes are transferred with automatic address increment:

Figure 16: I²C multiple read protocol. Address register is first written to SMB380, the RW=0 (lowest acceleration data located at address 02h). I²C transfer is stopped and restarted with RW=1, address is automatically incremented and the 6 bytes can be sequentially read out.



5. Package

5.1 Outline dimensions

The SMB380 is packaged in a 3mm x 3mm x 0.9mm mold package following JEDEC MO-229.

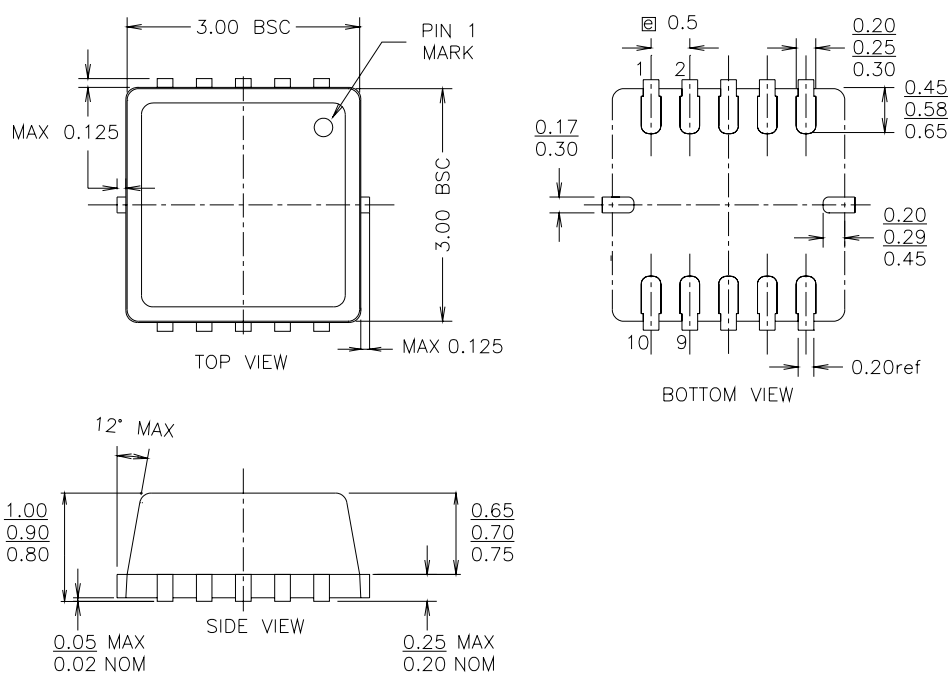
Package outline geometry is based on:

- Mold package footprint 3mm x 3mm (tolerance $\pm 0.1\text{mm}$)
- Height 0.9mm
- No. of leads 10 (8 used for electrical connection)
 Remark: two additional metal features on front edges without electrical functionality
- Lead pitch 0.5mm

Please note: In addition to QFN package the SMB380 will be available in LGA package as well codenamed "BMA150". The QFN and LGA packages are 100% pin compatible.

The overlapping pins at the two opposite edges of the QFN package can be used for facilitating optical inspection of the solder joints after PCB assembly.

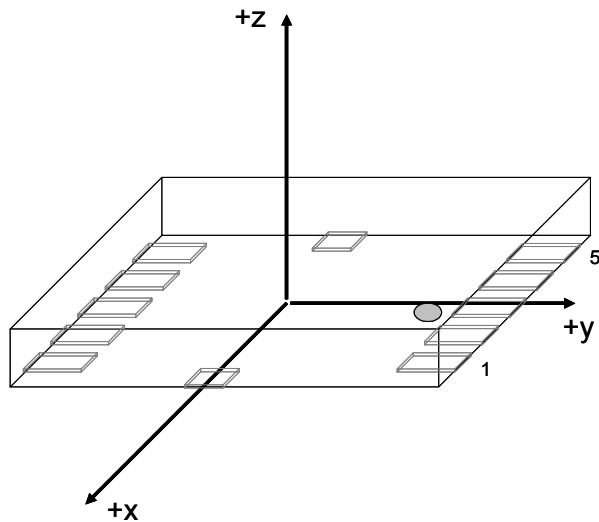
Figure 17: Top, bottom and side views of the 3mm x 3mm x 0.9mm QFN package outline drawing (dimensions in mm)



5.2 Axes orientation

The following diagram describes the orientation of the package with respect to the axes of acceleration measurement.

Figure 18: Axes orientation of the SMB380



5.3 Landing pattern recommendations

As for the design of the landing patterns, the following recommendations can be given:
 Note: this information is valid for QFN (SMB380) as well as LGA packages (BMA150)

Figure 19: Landing patterns for the SMB380

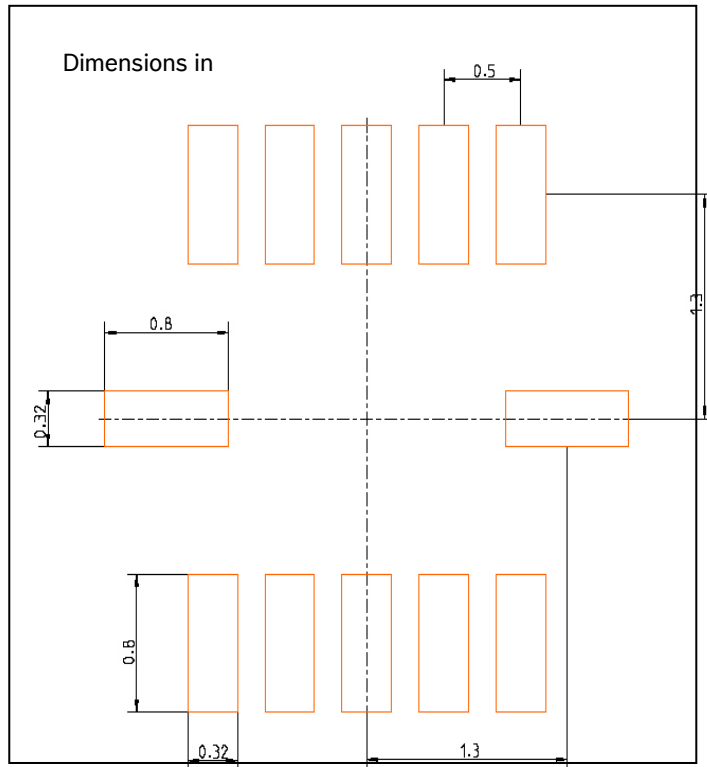
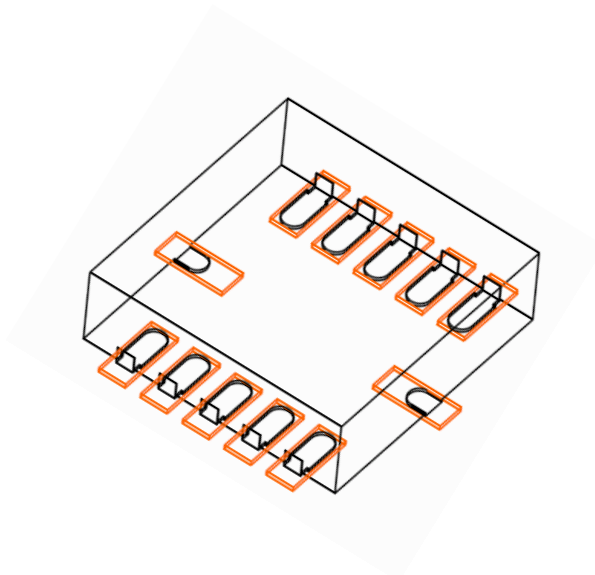



Figure 20: Perspective view of the SMB380 relative to the PCB landing pattern.



| | | |
|--|---|-----------------|
|  BOSCH | Preliminary Data Sheet SMB380 Triaxial acceleration sensor | Bosch Sensortec |
|--|---|-----------------|

5.4 Moisture sensitivity level and soldering

The moisture sensitivity level of the SMB380 sensor IC corresponds to JEDEC Level 1, see also

- IPC/JEDEC J-STD-020C "Joint Industry Standard: Moisture/Reflow Sensitivity Classification for Non-hermetic Solid State Surface Mount Devices"
- IPC/JEDEC J-STD-033A "Joint Industry Standard: Handling, Packing, Shipping and Use of Moisture/Reflow Sensitive Surface Mount Devices".

The sensor IC fulfils the lead-free soldering requirements of the above-mentioned IPC/JEDEC standard, i.e. reflow soldering with a peak temperature up to 260°C.

For more details, please refer to the "Handling, soldering & mounting instructions" document for the SMB380.

5.5 RoHS compliancy

The SMB380 sensor IC meets the requirements of the EC restriction of hazardous substances (RoHS) directive, see also:

"Directive 2002/95/EC of the European Parliament and of the Council of 27 January 2003 on the restriction of the use of certain hazardous substances in electrical and electronic equipment".

The halogen content of the SMB380 is < 300ppm.

6. Pin-out out and connection diagrams

Figure 21: Pin-out of the SMB380 (top view);

Note: The pin-out of the SMB380 in QFN and SMB380 in LGA package (=BMA150) are identical.

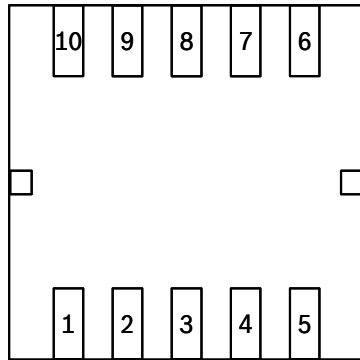


Table 12: Pin-out description of the SMB380

| Pin No | Name | Type | Description | Connect to (in SPI 4w) | Connect to (in SPI 3w) | Connect to (in I ² C) | Stand alone (without μ C) |
|--------|----------|----------------|--------------------------------|------------------------|------------------------|----------------------------------|-------------------------------|
| 1 | reserved | | Do not connect | NC | NC | NC | NC |
| 2 | VDD | Power | Analogue power supply | VDD | VDD | VDD | VDD |
| 3 | GND | Power | Ground | GND | GND | GND | GND |
| 4 | INT | Output | Interrupt | INT / NC | INT / NC | INT / NC | INT |
| 5 | CSB | Input | Chip select | CSB | CSB | VDDIO | VDD |
| 6 | SCK | Input | Serial clock | SCK | SCK | SCK | GND |
| 7 | SDO | Output | Serial data out | SDO | GND | GND | GND |
| 8 | SDI | Input / Output | Serial data in / out | SDI | SDA | SDA | GND |
| 9 | VDDIO | Power | Digital interface power supply | VDDIO | VDDIO | VDDIO | VDD |
| 10 | reserved | | Do not connect | NC | NC | NC | NC |

Recommendation for decoupling: between GND and VDD (pin 1 or 2) a 22nF capacitor and between GND and IOVDD (pin 9) a 100nF capacitor should be connected.

Figure 22: Connection diagram for use with 4-wire SPI interface

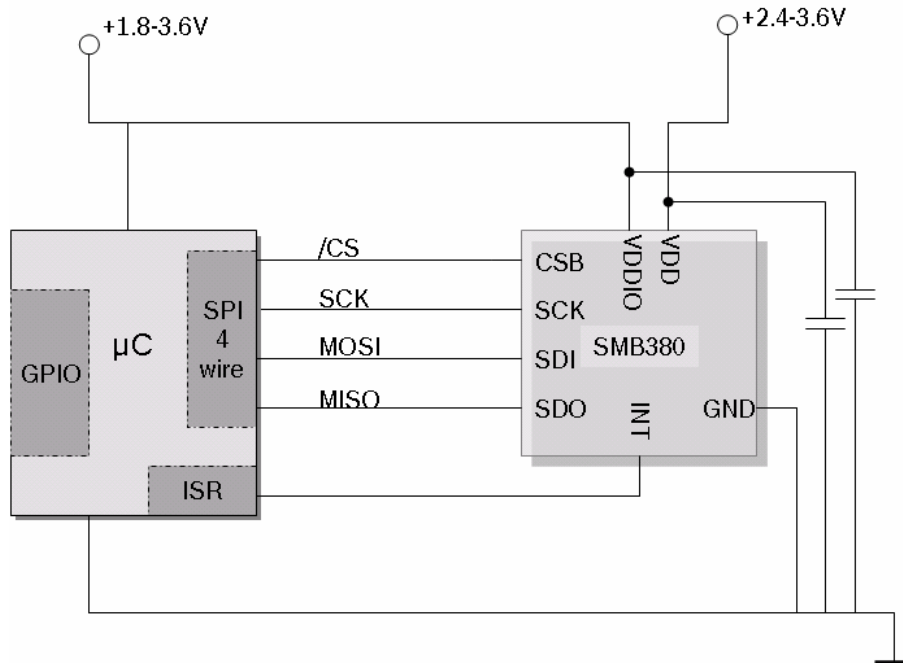


Figure 23: Connection diagram for use with 3-wire SPI interface

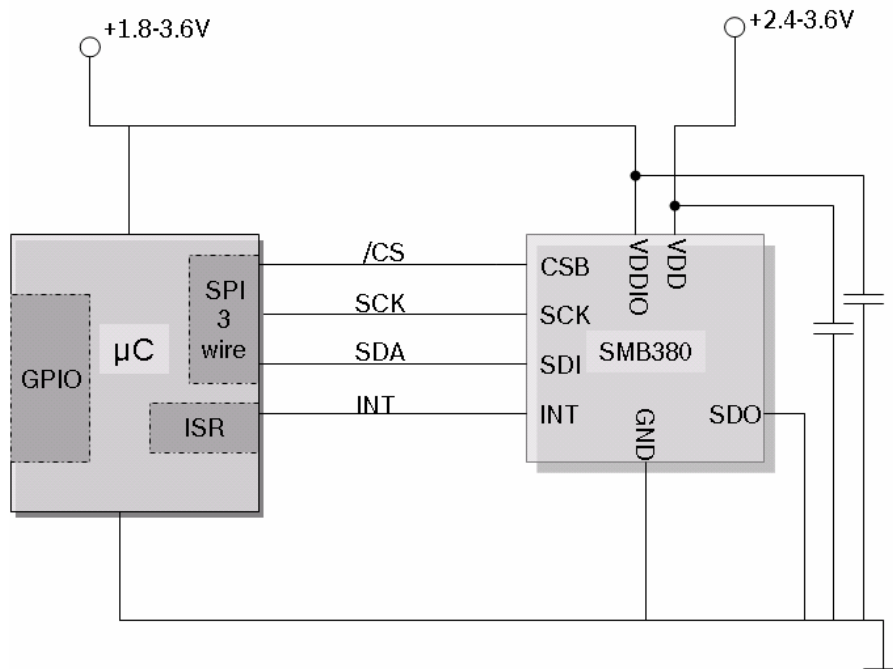


Figure 24: Connection diagram for use with I²C interface

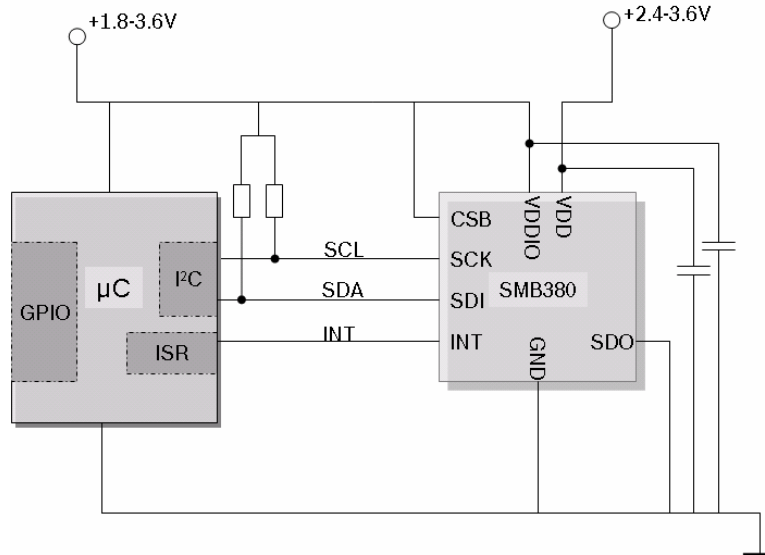
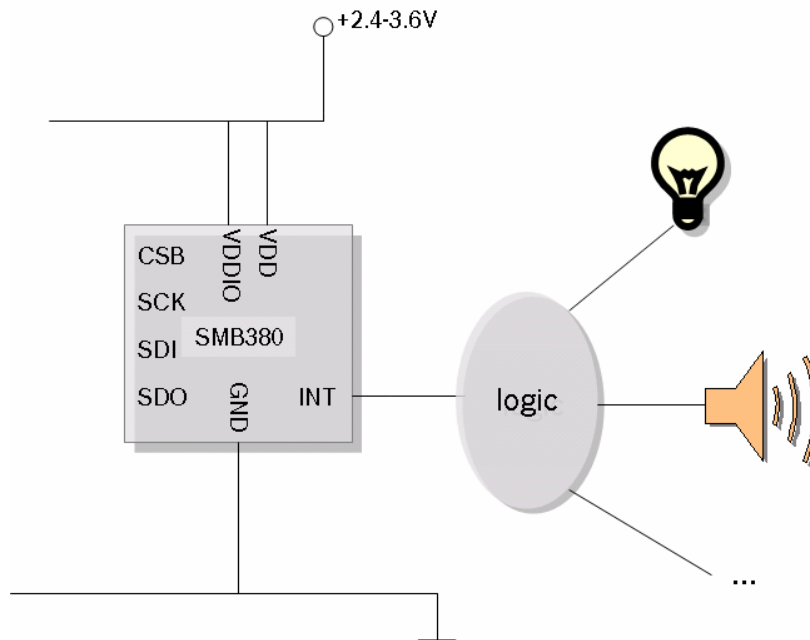


Figure 25: Connection diagram for stand alone use without microcontroller



7. Operation modes

7.1 Normal operational mode

In normal operational mode the sensor IC can be addressed via digital interface. Data and status registers can be read out and control registers and EEPROM values can be read and changed. In parallel to normal operation the user has the option to activate several internal logic paths and set criteria to trigger the interrupt pin. SMB380 is designed to enable low current consumption of 200 μ A in operational mode.

A self-test procedure can be started in operational mode for testing of the complete signal evaluation path including the micromachined sensor IC structure, the evaluation ASIC and the physical connection to the host system.

7.2 Sleep mode

Sleep mode is activated by setting a control bit. In sleep mode no communication with the sensor IC is possible – all read and write commands are forbidden. The only command to be accepted is the wake-up call to switch to operational mode or a soft reset. Wake-up time from sleep to operational mode is 1ms. Start-up time in power on phase (V_{dd} from 0V to 2.5V) is 3ms. The current consumption in sleep mode is 1 μ A.

7.3 Wake-up mode

In general SMB380 is attributed to low power applications and can contribute to the system power management.

- Current consumption 200 μ A operational
- Current consumption 1 μ A sleep mode
- Wake-up time 1ms
- Start-up time 3ms
- Wake-up mode to trigger a system wake-up (interrupt output to master) when motion detected
- Current consumption in wake-up mode between e.g. 1.5 μ A (slow response 2.5sec) or 6 μ A (faster response 80msec)

The SMB380 provides the possibility to wake up a system master when specific acceleration values are detected. Therefore the SMB380 stays in an ultra low power mode and periodically evaluates the acceleration data with respect to interrupt criteria defined by the user. An interrupt output can be generated and trigger the system master. The wake-up mode is used for ultra-low power applications where inertial factors can be an indicator to change the activity mode of the system.

The following table shows values calculated for the current consumption during wake-up mode of the SMB380. The power consumption in wake-up mode is dependent on the duration of the interrupt algorithm. Thus, bandwidth and duration settings (any motion duration, low-g and high-g duration) have to be taken into account. For the calculation the use of any motion interrupt has been assumed:

| | Current consumption during SMB380 wake-up mode [μA] (depending on bandwidth, calculated using typical values) | | | | | | |
|---------------------|--|-----------|----------|----------|----------|---------|---------|
| Pause [msec] | (@ 1,500Hz) | (@ 750Hz) | (@375Hz) | (@190Hz) | (@100Hz) | (@50Hz) | (@25Hz) |
| 20 | 21,7 | 24,3 | 29,4 | 38,4 | 52,5 | 75,6 | 105,2 |
| 80 | 6,6 | 7,4 | 8,9 | 11,9 | 17,0 | 26,9 | 43,9 |
| 360 | 2,3 | 2,5 | 2,8 | 3,5 | 4,8 | 7,4 | 12,5 |
| 2,560 | 1,2 | 1,2 | 1,3 | 1,4 | 1,5 | 1,9 | 2,7 |

8. Data conversion

8.1 Acceleration data

Acceleration data are converted by a 10bit ADC. The description of the digital signal is "2's complement". The 10 bit data are available as LSB (at lower register address) and MSB. It is possible to read out MSB only (8 bit) and LSB/MSB (16 bits with 10 data bits and 1 data ready bit) while LSB- and MSB-data are closely linked to avoid unintentional LSB/MSB mixing when read out and data conversion overlap accidentally (section 3.5.2).

The update rate of data registers is 3kHz, independent of the digital filter. The acceleration data is filtered by a second order analog filter at 1.5kHz. Additionally the data can be processed by digital averaging filters (moving average) to reduce the noise level (750Hz – 25Hz).

The transfer function of the mechanical element is designed to avoid resonance effects at frequencies below the bandwidth of the ASIC.

The availability of new data can be checked in two ways:

- Bit 0 from the LSB data registers is an indicator whether the data have already been read out or the data are new (Bit0=1) (section 3.5.3).
- The interrupt pin can be configured to indicate new data availability (not possible in parallel to internal interrupt logic). The synchronization of data acquisition and data read out enables the customer to avoid unnecessary interface traffic in order to reduce the system power consumption and the crosstalk between interface communication and data conversion. For a detailed explanation see Figure 23. (section 3.2.10)

Figure 26: Explanation of data ready interrupt: For a bandwidth of e.g. 1.5kHz the data refresh cycle takes 330µs to update all data registers. After the final conversion of z-axis the INT pad will be set high. New data can be read out via interface (recommendation: read out within 20µs after interrupt is high during the conversion of the next temperature value). The interrupt resets automatically after read out.






BOSCH

Preliminary Data Sheet
SMB380
Triaxial acceleration sensor

Bosch Sensortec

8.2 Temperature measurement

Temperature data are converted to a 8bit data register. The temperature output range can be adapted to customer's requirements by offset correction.

| | | |
|--|---|-----------------|
|  BOSCH | Preliminary Data Sheet SMB380 Triaxial acceleration sensor | Bosch Sensortec |
|--|---|-----------------|

9. Internal logic functions

The sensor IC can inform the host system about specific conditions (e.g. new data ready flag or acceleration thresholds passed) by setting an interrupt pin high even if interface communication is not taking place. This feature can be used as “freefall indicator”, “wake-up” or “data ready flag” for instance.

The interrupt performance can be programmed by means of control bits. Thus the criteria to identify a special event can be tailored to a customer’s application and the sensor IC output can be defined specifically.

9.1 Freefall logic

For freefall detection the absolute value of the acceleration data of all axes are investigated (global criteria). A freefall situation is likely to occur when all axes fall below a lower threshold value (“LG_thres”). The interrupt pin will be raised high if the threshold is passed for a minimum duration. The duration time can be programmed in units of ms (max. 255ms).

The function “Freefall Interrupt” can be switched on/off by a control bit which is located within the image of the non-volatile memory. Thus this functionality can be stored as default setting of the sensor IC (EEPROM) but can also rapidly be changed within the image.

The reset of the freefall interrupt can be accomplished by means of a master reset of the interrupt flag (latched interrupt) or the reset can be triggered by the acceleration signal itself (validation of a programmable “hysteresis”).

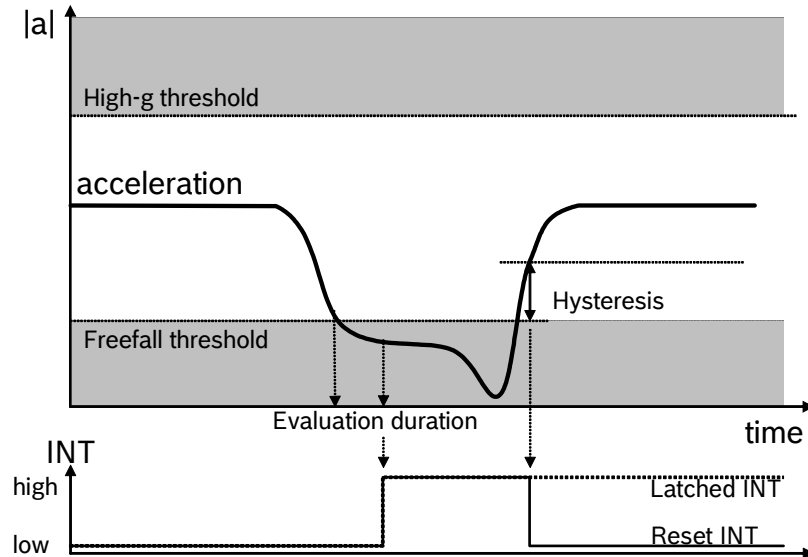
See also section 3.2.7.

9.2 High-g logic

For indicating high-g events an upper threshold can be programmed. This logic can also be activated by a control bit. Threshold, duration and reset behaviour can be programmed. The high-g and freefall criteria can be logically combined with an <OR>.

See also section 3.2.8.

Figure 27: Explanation of freefall and high-g detection. Please see explanation within the text.



9.3 Any motion detection

The “any motion algorithm” can be used to detect changes of the acceleration. Thus it provides a relative evaluation of the acceleration signals. The criterion is kind of a gradient threshold of the acceleration over time. Thus one can distinguish between fast events with strong inertial dynamic (e.g. shock), instant changes of force balance (e.g. drop, tumbling) and even slight changes (e.g. touch of a mobile device).

Due to a high bandwidth and a fast response MEMS device SMB380 is capable to detect shock situations. The “any motion interrupt” or a high-g criterion setting can be used to give a shock alert. The phase shift between onset of mechanical shock and interrupt output is defined by the mechanical transfer function of the chassis and internal mounting interfaces (e.g. PDA shell) and the data output rate of the sensor IC (currently 330 μ sec, 100 μ sec under consideration).

See also section 3.2.9.

9.4 Alert Mode

In SMB380 it is possible to combine the “any motion criterion” with low-g and high-g interrupt logic to improve the reaction time for e.g. a free-fall identification.

See also sections 3.2.9 and 3.4.2.

10. Disclaimer

10.1 Engineering samples

Engineering Samples are marked with an asterisk (*) or (e). Samples may vary from the valid technical specifications of the product series contained in this data sheet. They are therefore not intended or fit for resale to third parties or for use in end products. Their sole purpose is internal client testing. The testing of an engineering sample may in no way replace the testing of a product series. Bosch Sensortec assumes no liability for the use of engineering samples. The Purchaser shall indemnify Bosch Sensortec from all claims arising from the use of engineering samples.


10.2 Product use

Bosch Sensortec products are developed for the consumer goods industry. They may only be used within the parameters of this product data sheet. They are not fit for use in life-sustaining or security sensitive systems. Security sensitive systems are those for which a malfunction is expected to lead to bodily harm or significant property damage. In addition, they are not fit for use in products which interact with motor vehicle systems.

The resale and/or use of products are at the purchaser's own risk and his own responsibility. The examination of fitness for the intended use is the sole responsibility of the Purchaser.

The purchaser shall indemnify Bosch Sensortec from all third party claims arising from any product use not covered by the parameters of this product data sheet or not approved by Bosch Sensortec and reimburse Bosch Sensortec for all costs in connection with such claims.

The purchaser must monitor the market for the purchased products, particularly with regard to product safety, and inform Bosch Sensortec without delay of all security relevant incidents.

| | | |
|--|---|-----------------|
|  BOSCH | Preliminary Data Sheet SMB380 Triaxial acceleration sensor | Bosch Sensortec |
|--|---|-----------------|

11. Document history and modification

| Rev. No | Chapter | Description of modification/changes | Date |
|---------|----------------------|--|------------|
| 1.0 | | Document creation | 29-Dec-06 |
| 1.1 | 1, 4.1.1, 4.1.2, 4.2 | Min. VddIO = 1.62V | 14-May-07 |
| | 5.1, 5.2, 5.3 | New package diagram, axes vs. package orientation | 14-May-07 |
| | 10 | Added "e" as marker for engineering samples | 14-May-07 |
| | 3 | Added warning about overwriting calibration data | 14-May-07 |
| | 3.1.2 | Corrected typo (correct address 14h) | 14-May-07 |
| | 1 | Added wake-up and start-up time | 14-May-07 |
| | 4.2.1 | Corrected slave address in figures 15 and 16 | 14-May-07 |
| | 1 | Zero-g Offset updated to $\pm 60\text{mg}$ | 21-May-07 |
| 1.2 | 1 | Specification update | 17-July-07 |
| 1.3 | 1 | Inserted reference to ANA016 application note | 31-Aug-07 |
| | 7.3 | Added current consumption values during wake-up mode | 31-Aug-07 |
| | 2 | Mechanical shock | 18-Sept-07 |
| | 5.1 | Using overlapping pins for optical inspection | 18-Sept-07 |
| | 5.5 | Halogen content of SMB380 | 18-Sept-07 |
| | 3 | Extension of global memory map (figure 1) | 18-Sept-07 |
| | 6 | Table 12, pin 1 and 10 | 18-Sept-07 |
| | 4.1.1, 4.1.2 | Default SPI interface is 4-wire | 18-Sept-07 |

Bosch Sensortec GmbH
 Gerhard-Kindler-Strasse 8
 72770 Reutlingen / Germany

contact@bosch-sensortec.com
www.bosch-sensortec.com

Modifications reserved | Printed in Germany
 Specifications subject to change without notice
 Version_1.3_072007