



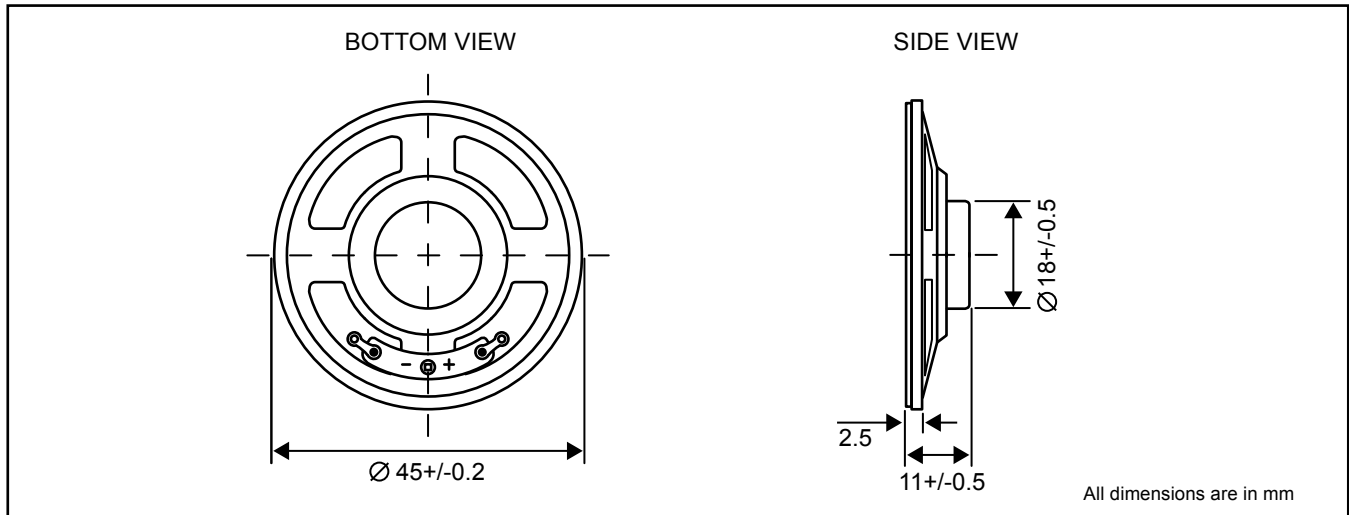
SPL (Hong Kong) Limited

Rm 2507, 25/F, Prosperity Centre, 25 Chong Yip St., Kwun Tong, Kln., HK.
Tel: 852-23426867 / 57 Fax: 852-23426847 Email: sales@spl-hk.com.hk
www.buzzer.com.hk ; www.transducer.com.hk ; www.connector.com.hk

Mylar Speaker MSI45 Series

DIMENSIONS

Date : 22 Nov, 2006



Ref. no.: PC363DX

Remark : transparent mylar

ELECTRICAL SPECIFICATIONS

Model No.	MSI45-02
Diameter	45 +/- 0.2 mm
Height	11 +/- 0.5 mm
Back Dia.	32 +/- 0.5 mm
Output S.P.L.	82 +/- 3 dB [At 0.8, 1.0, 1.5, 2.0 KHz]
Impedance	32 ohm +/- 15% [At 1K Hz, 1 V]
Resonant Freq. [Fo]	800 Hz +/- 20 % [At 1 V, without baffle]
Freq. Response	Fo ~ 4.5K Hz
Rated Input Power	0.5 W
Max. Input Power	1.0 W
Buzzer & Rattles	Must Be Normal [Sine Wave 4.0 V, Fo ~ 2K Hz]
Load Test	Must Be Normal [White Noise 0.5 W, 96 Hours]
Heat Test	Must Be Normal [65 +/- 2 °C, 20 ~ 25% R.H. 16 Hours]
Cold Test	Must Be Normal [-25 +/- 2 °C, 16 Hours]
Humidity Test	40 +/- 2 °C, 90 ~ 95% R.H. 96 Hours
Case Material	Metal
Magnet	Internal Magnet
Operating Temperature	-25 ~ +65 °C
Storage Temperature	-30 ~ +70 °C
Weight	30.5 g