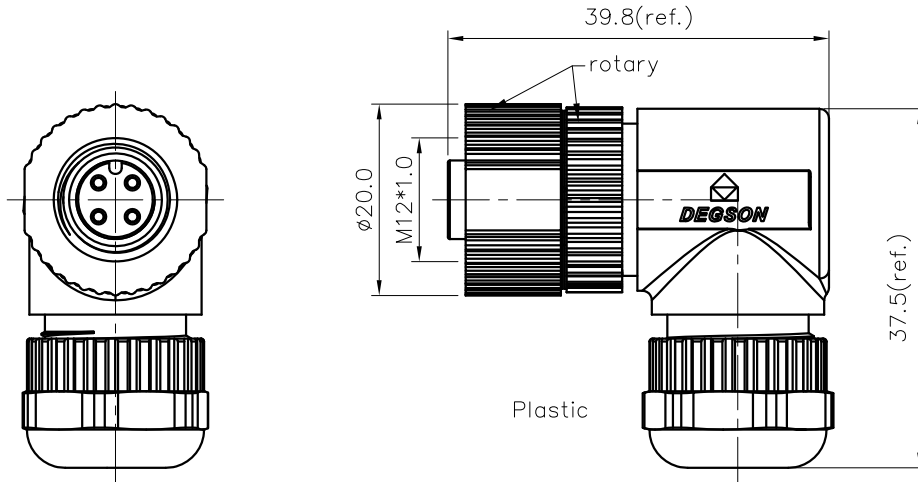


REVISION RECORD

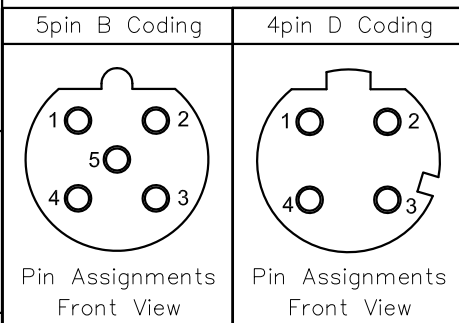
REV	ECN	DESCRIPTION	DRFT	DATE
-----	-----	-------------	------	------



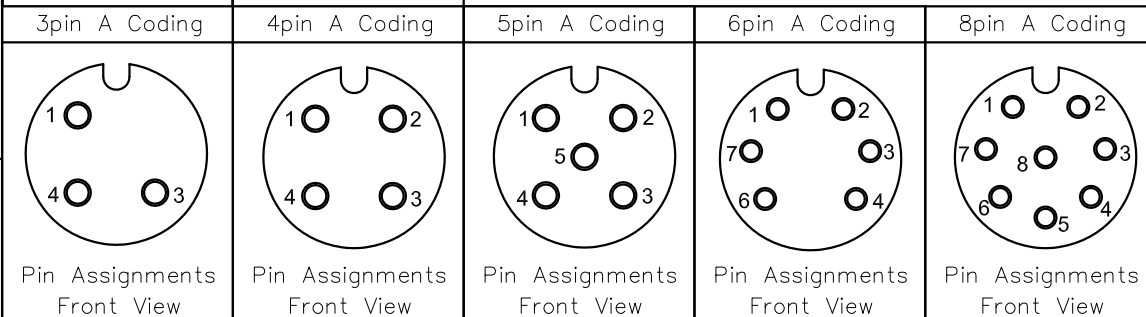
NOTES:

- Rated voltage/current : 3pin A: 250V / 4A
4pin A: 250V / 4A
5pin A: 60V / 4A
6pin A: 30V / 2A
8pin A: 30V / 2A
5pin B: 60V / 4A
4pin D: 250V / 4A
- Withstanding voltage : 3,4pin A: AC1500V/1Min
5pin A: AC1120V/1Min
6,8pin A: AC500V/1Min
5pin B: AC1120V/1Min
4pin D: AC1500V/1Min
- Levels of protection: IP67
- Wire range :
3pin A: 24~20AWG/0.25~0.52mm²
4pin A: 24~20AWG/0.25~0.52mm²
5pin A: 24~20AWG/0.25~0.52mm²
6pin A: 24~22AWG/0.25~0.34mm²
8pin A: 24~22AWG/0.25~0.34mm²
5pin B: 24~20AWG/0.25~0.52mm²
4pin D: 24~20AWG/0.25~0.52mm²

- Cable OD: 4~8mm
- Wire connection mode: screw
- Operating temperature: -25°C~+105°C
- RoHS Compliance



PB-M12X-XXP-FF-SR7001-00A(H)
Coding: A,B,D
Pin number: 03,04,05, 06,08



DETACHED LISTS	PART NO.: PBM12XXXPFPSR700100AH	宁波高松电子有限公司 NINGBO DEGSON ELECTRICAL CO., LTD		
	APPD:	NAME: PB-M12X-XXP-FF-SR7001-00A(H)		
	CHKD:	DRFT: LZ 2018.10.08		
	DRFT:	TITLE: CUSTOMER DRAWING	REV: D0-1	
	THIRD ANGLE PROJECTION		DRAWING NO.: XXXXXXXX-XX-CXX	SHEET: 1/1
		MM (INCH)	DO NOT SCALE DRAWING	SCALE: 1:1