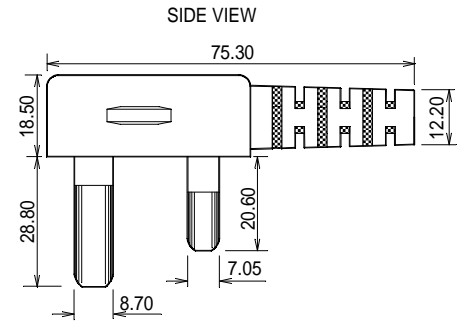
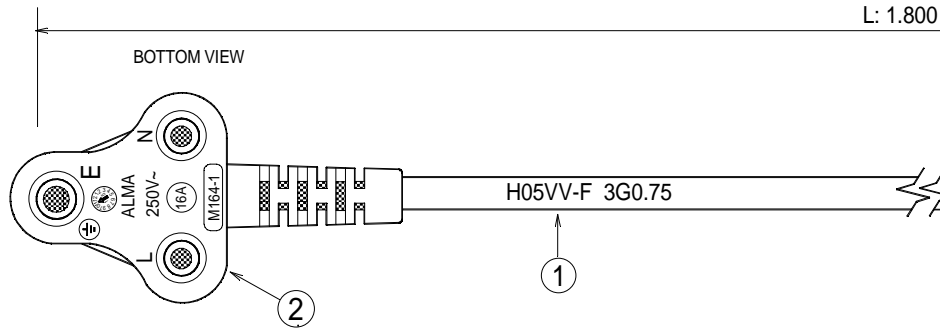
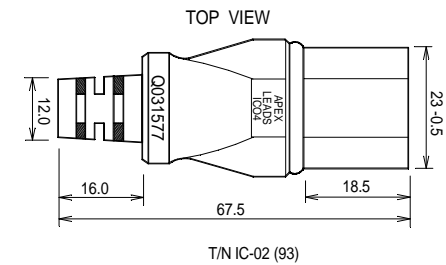
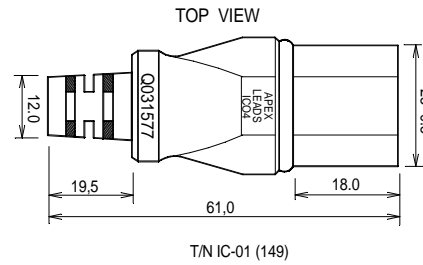
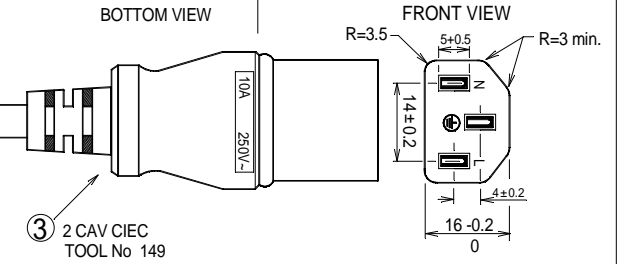


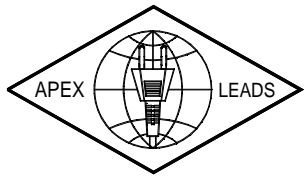
(A)  
45mm



(B)  
20mm



NOTE : DIMENSIONS GIVEN IN MILLIMETRES



Manufacturers of all Moulded  
Plugs and Sockets

| PARTS LIST |                    | PART NUMBER | QTY      | ALT/VE PART No | Customer :    |                                |             |
|------------|--------------------|-------------|----------|----------------|---------------|--------------------------------|-------------|
| 1          | 0.75x3 CAB. BK OD7 | 3C077BK     | L: 1.800 |                | Product       | : 16A-IEC (0.75x3) BK L: 1.800 |             |
| 2          | 16A SA PLUG BK     | AS-M6ABK    | 1 OFF    |                | Your part no. | :                              |             |
| 3          | CIEC C13 CONNECTOR | CI-C13BK    | 1 OFF    |                | Our Part No:  | : PC-6ACIC073BK1.8             |             |
| 4          |                    |             |          |                | Drawn by      | : T. MAIMELA                   |             |
| 5          |                    |             |          |                | Inspected by  | : J. MARE                      |             |
| 6          |                    |             |          |                | Revision      | Date                           | Approved by |
| 7          |                    |             |          |                | C             | 23/06/2015                     |             |