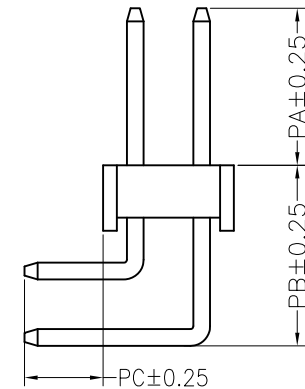
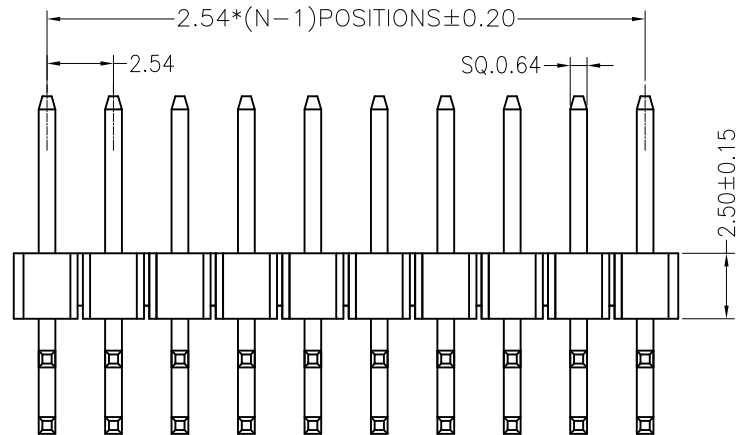
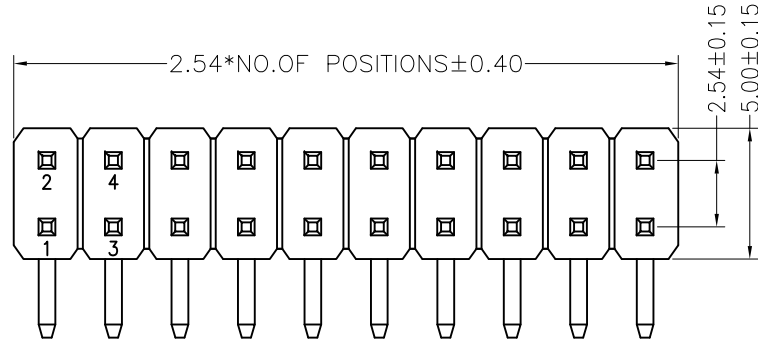
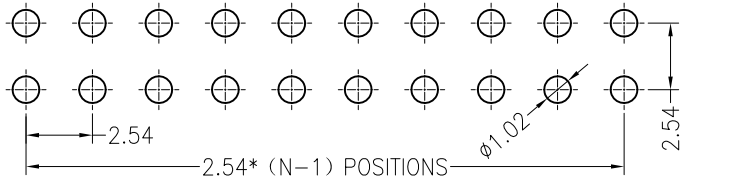


NOTES:

Voltage Rating:100V,AC/DC
 Current Rating:3.0 AMP,AC/DC
 Dielectric Withstand Voltage:500V,AC/Minute
 Contact Voltage:20 mΩ Max
 Insulation Voltage:1000 mΩ Min
 Operation Temperature:-40°C to +105°C
 Insulator Material:Polyester,UL94 V-0
 Contact Material:Brass
 Contact Plating:Au or Sn Plated on Nickel Overall

Recommended P.C.B Layout
 P.C.B Board Tolerance±0.05



NEW PART NUMBER

PH C 25-21 XX R XX X XXX X 1

Housing Height 25=2.50
 NO.of Pins Per Row 2*40P
 Contact Plating G0=Gold Flash
 G1=3u"Gold
 G2=5u"Gold
 G3=10u"Gold
 G4=15u"Gold
 G5=30u"Gold
 SN=Tin Plated

Pin Length
 Packing
 0=PE Bag
 A=Tray
 T=Tube

Dimension antitheses list				
item	PA	PB	PC	L
Standard	6.00	6.90	3.00	13.80/18.80
Alternate	---	---	---	---

REV	DATE	MODIFICATION DESCRIPTION	CHANGE	OPERATION		DRAW	Helen	2011/04/08
				DIM	TOL			
A0	2011/04/08	NEW		X.X	±0.40	DESIGN	Jenny	2011/04/08
				X.XX	±0.25	CHECK	Franck	2011/04/08
				X.XXX	±0.15	APPROVE	Steven	2011/04/08
				Angle	±3°			

LPI 深圳市起德电子科技有限公司
 SHEN ZHEN QIDE ELECTRONIC TECHNOLOGY CO.,LTD

PART NO.	PHC25-21XXRXXXXXX1	UNIT	mm
TITLE	2.54mm Pin Header H=2.5,Daul Row,90°DIP,TYPE 1	SCALE	1:1
Customer NO.	---	SHEET	1/1
		PROJ.	☉