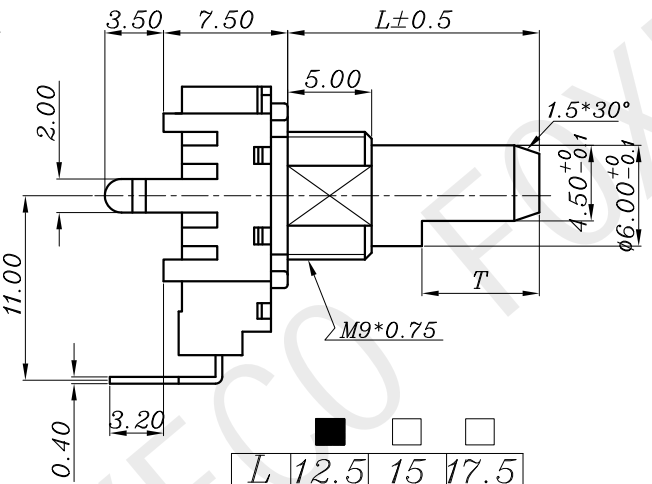
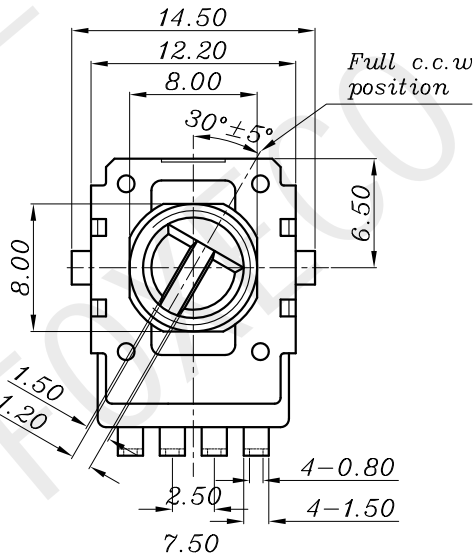


8 7 6 5 4 3 2 1

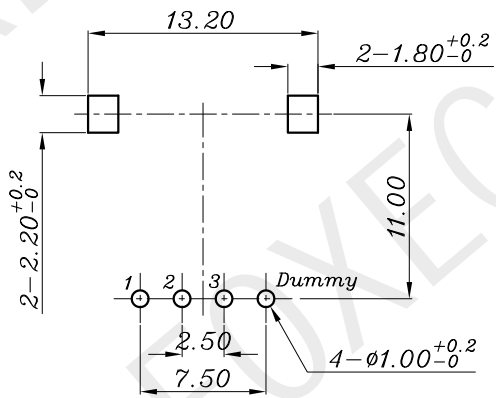


ECN NO.	REV	DATE	DESCRIPTION	DRAWN
	A0	2019/12/04	NEW	姜光鸿

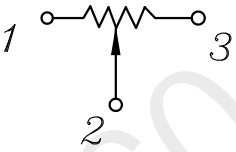


L	12.5	15	17.5
T	7	7	12

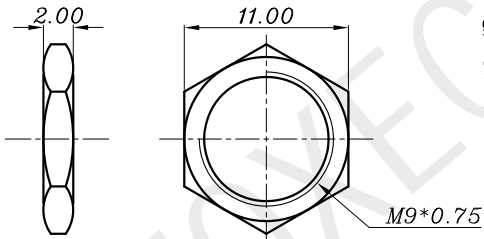
安装孔位图
Mounting Hole



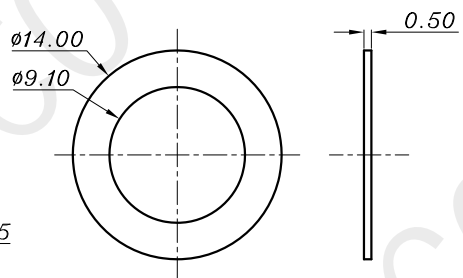
接线图
Circuit Explanation



Nut 螺母(可选项)



Washer 垫圈(可选项)



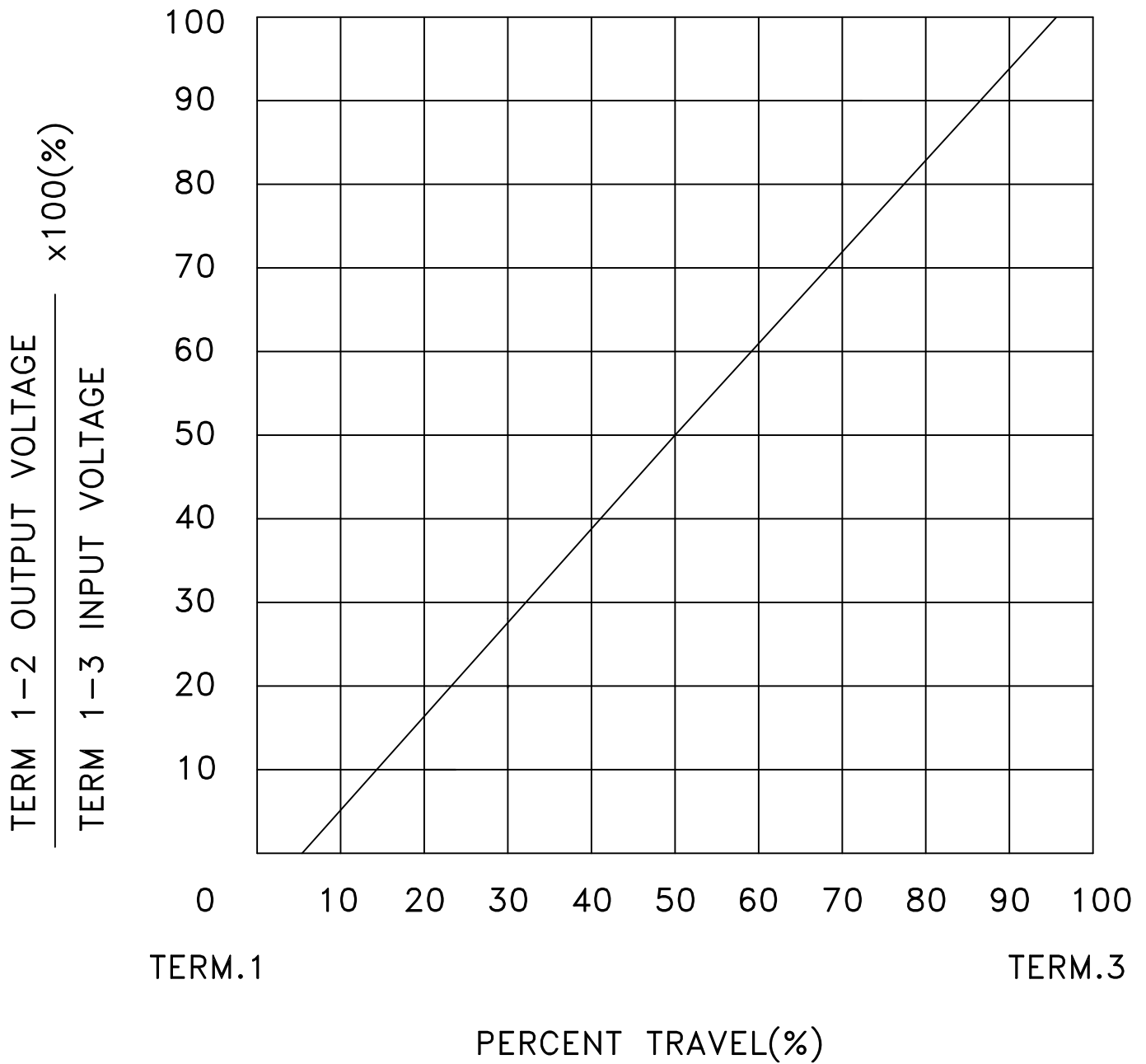
TOLERANCE OTHERWISE UNLESS SPECIFIED			UNIT
UNOVER 5±0.2	5~30±0.3	OVER 30±0.4	mm

COMPANY TRADEMARK	TYPE	ROTARY POTENTIOMETER	DRAWN	姜光鸿	DONG GUAN FOXECO ELECTRONICS CO., LTD.
	MODEL NO	PO1207F11-2B503Z	CHECKED	邹立发	
	VIEW		SCALE	陈俊锟	
FOXECO®		A4 1:1	DATE	2019/12/04	DWG NO.
					E C O * * * * *

8 7 6 5 4 3 2 1

STANDARD RESISTANCE TAPER

OB TAPER



Notes: Percent Voltage
Check Point

50% Travel From Term.3

Tolerance

40~60%

Tolerances							
less than 10	±0.3	PREPARED	REVIEWED	APPROVED	MODEL: Resistances Taper		
above 10~50	±0.5	姜光鸿	陈俊锟	胡江彪			
above 50~100	±0.8						
angular	±5°	Description			NO.	UNIT	mm