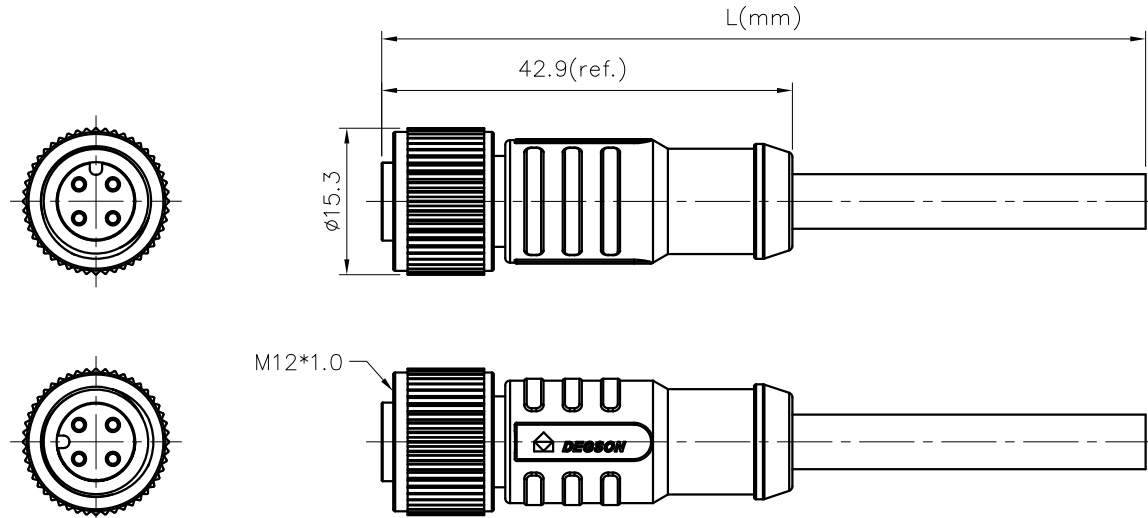


REVISION RECORD

REV	ECN	DESCRIPTION	DRFT	DATE
-----	-----	-------------	------	------



NOTES:

- Rated voltage/current : 3pin A: 250V / 4A
4pin A: 250V / 4A
5pin A: 60V / 4A
6pin A: 30V / 2A
8pin A: 30V / 2A
- Withstanding voltage : 3,4pin: AC1500V/1Min
5pin: AC1120V/1Min
6,8pin: AC500V/1Min
- Levels of protection: IP68
- Cable specifications :
3pin A: 3C*22AWG/0.34mm²,UL2517/UL20549
4pin A: 4C*22AWG/0.34mm²,UL2517/UL20549
5pin A: 5C*22AWG/0.34mm²,UL2517/UL20549
6pin A: 6C*24AWG/0.25mm²,UL2517/UL20549
8pin A: 8C*24AWG/0.25mm²,UL2517/UL20549
- Wire connection mode: soldering
- Operating temperature: PVC Cable: -25°C~+85°C
PUR Cable: -25°C~+80°C
- RoHS Compliance
- Tolerance : ±0.5mm

PM-M12X-XXP-FF-SL8XXX-00A(H)

Coding: A,B,D

Pin number: 03,04, 05,06,08, 10,12

Cable length L:
01: 1M
...
99: 99M
The line grows business trip:
01~05m: ± 50mm
06~10m: ± 100mm
11~30m: ± 200mm
31~99m: ± 500mm

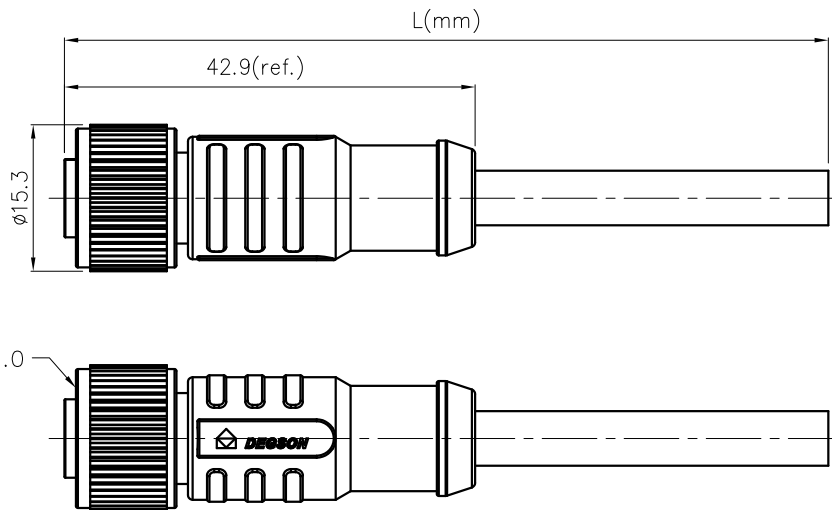
Cable jacket:
A: PVC UL2517;
B: PUR UL20549
C: PVC UL2517 For UL Approve
D: PUR UL20549 For UL Approve

3pin A Coding		4pin A Coding		5pin A Coding		6pin A Coding		8pin A Coding	
Pin Assignments Front View		Pin Assignments Front View		Pin Assignments Front View		Pin Assignments Front View		Pin Assignments Front View	
								8	Red
								7	Blue
								6	Pink
				5	Grey			5	Grey
4	Black	4	Black	4	Black	4	Yellow	4	Yellow
3	Blue	3	Blue	3	Blue	3	Green	3	Green
		2	White	2	White	2	Brown	2	Brown
1	Brown	1	Brown	1	Brown	1	White	1	White
Pin	Wire Color	Pin	Wire Color	Pin	Wire Color	Pin	Wire Color	Pin	Wire Color
	Pin Out		Pin Out		Pin Out		Pin Out		Pin Out

DETACHED LISTS	PART NO.: PMM12XXXPFSL8XXX00AH	宁波高松电子有限公司 NINGBO DEGSON ELECTRICAL CO., LTD		
	APPD:	NAME: PM-M12X-XXP-FF-SL8XXX-00A(H)		
	CHKD:	TITLE: CUSTOMER DRAWING		
	DRFT: SQ 2019.08.31	REV: D0-2	SHEET: 1/2	
		DRAWING NO.: XXXXXXXX-XX-CXX	SCALE: 1:1	
THIRD ANGLE PROJECTION		DO NOT SCALE DRAWING		

REVISION RECORD

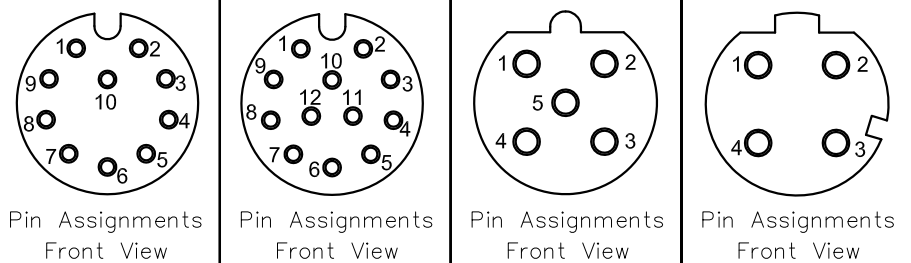
REV	ECN	DESCRIPTION	DRFT	DATE
-----	-----	-------------	------	------



NOTES:

- Rated voltage/current : 10pin A: 30V / 1.5A
12pin A: 30V / 1.5A
5pin B: 60V / 4A
4pin D: 250V / 4A
- Withstanding voltage : 10,12pin: AC500V/1Min
5pin B: AC1120V/1Min
4pin D: AC1500V/1Min
- Levels of protection: IP68
- Cable specifications :
10pin A: 10C*26AWG/0.14mm², UL2517/UL20549
12pin A: 12C*26AWG/0.14mm², UL2517/UL20549
5pin B: 5C*22AWG/0.34mm², UL2517/UL20549
4pin D: 4C*22AWG/0.34mm², UL2517/UL20549
- Wire connection mode: soldering
- Operating temperature: PVC Cable: -25°C~+85°C
PUR Cable: -25°C~+80°C
- RoHS Compliance
- Tolerance : ±0.5mm

10pin A Coding	12pin A Coding	5pin B Coding	4pin D Coding
----------------	----------------	---------------	---------------



Pin	Wire Color	Pin	Wire Color	Pin	Wire Color	Pin	Wire Color
10	Violet	12	Red/Blue				
9	Red	11	Grey/Pink				
8	Grey	9	Red				
7	Black	8	Grey				
6	Yellow	7	Black				
5	Pink	6	Yellow				
4	Green	5	Pink	5	Grey		
3	White	4	Green	4	Black	4	Black
2	Blue	3	White	3	Blue	3	Blue
1	Brown	2	Blue	2	White	2	White
		1	Brown	1	Brown	1	Brown
Pin	Wire Color	Pin	Wire Color	Pin	Wire Color	Pin	Wire Color
Pin Out		Pin Out		Pin Out		Pin Out	

PM-M12X-XXP-FF-SL8XXX-00A(H)

Coding: A,B,D
Pin number: 03,04,
05,06,08,
10,12

Cable length L:
01: 1M
...
99: 99M
The line grows business trip:
01~05m: ± 50mm
06~10m: ± 100mm
11~30m: ± 200mm
31~99m: ± 500mm

Cable jacket:
A: PVC UL2517;
B: PUR UL20549
C: PVC UL2517 For UL Approve
D: PUR UL20549 For UL Approve

DETACHED LISTS	PART NO.: PMM12XXXPFSL8XXX00AH	宁波高松电子有限公司 NINGBO DEGSON ELECTRICAL CO., LTD		
	APPD:	NAME: PM-M12X-XXP-FF-SL8XXX-00A(H)		
	CHKD:	TITLE: CUSTOMER DRAWING		
	DRFT: SQ 2019.08.31	REV: D0-2	SHEET: 2/2	
		DRAWING NO.: XXXXXXXX-XX-CXX	SCALE: 1:1	DO NOT SCALE DRAWING