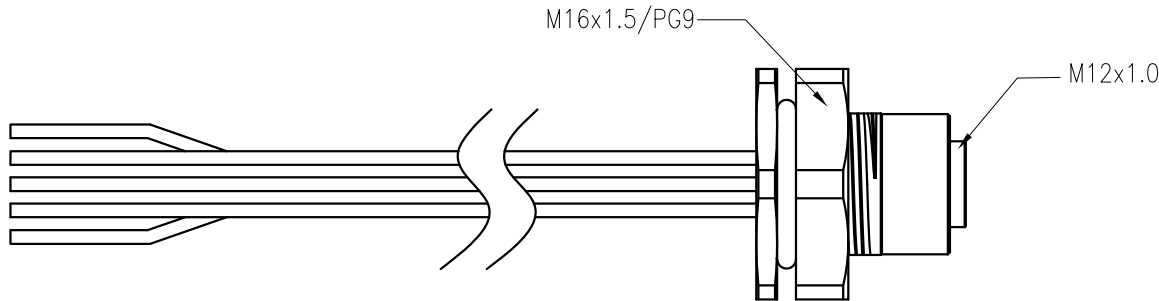
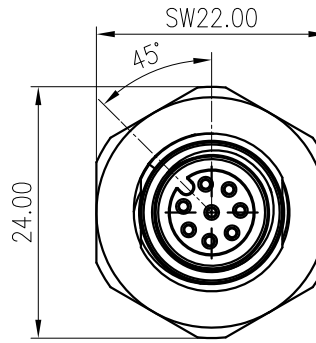
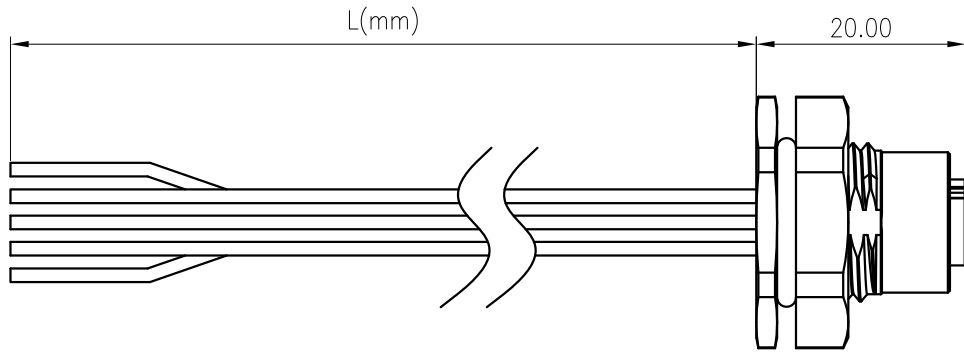


Dimensional tolerance(mm)					Length tolerance(mm)				0.10/10 ±2°
0 ~ 30	>30 ~ 60	>60 ~ 100	>100 ~ 150	>150 ~ 50	0 ~ 50	50 ~ 150	150 ~ 300	300 ~ 1000	
±0.25	±0.35	±0.55	±0.80	±1.10	±6	±11	±16	±26	±36



额定电压/Rated Voltage	3/4PIN 250V	5PIN 60V	6/8/10/12PIN 30V
额定电流/Rated Current	3/4/5PIN 4A	6/8PIN 2A	10/12PIN 1.5A
耐电压/Withstanding voltage	3/4PIN AC1500V/1Min	5PIN AC1120V/1Min	6/8/10/12PIN AC500V/1Min
使用温度范围/Operating temperature(°C)	-25~+80		
防水等级/Levels of protection	IPX8		
接线方式/Terminal	soldering		
线缆标准/Wire specifications	3/4/5PIN UL1061 22AWG	6/8PIN UL1061 24AWG	10/12PIN UL1061 26AWG
锁板厚度/For Panel Thickness Max(mm)	3.0		
符合RoHS环保要求/Conform to RoHS	Yes		

3pin A Coding		4pin A Coding		5pin A Coding	
Pin Assignments Front View		Pin Assignments Front View		Pin Assignments Front View	
				5	Grey
4	Black	4	Black	4	Black
3	Blue	3	Blue	3	Blue
		2	White	2	White
1	Brown	1	Brown	1	Brown
Pin	Wire Color	Pin	Wire Color	Pin	Wire Color
Pin Out		Pin Out		Pin Out	

SD-M12X-XXP-FF-SF8XXX-00A(H)

Coding: A,B,D

Pinnumber: 03,04,05, 06,08,10,12

Thread specification: D: PG9; E: M16*1.5

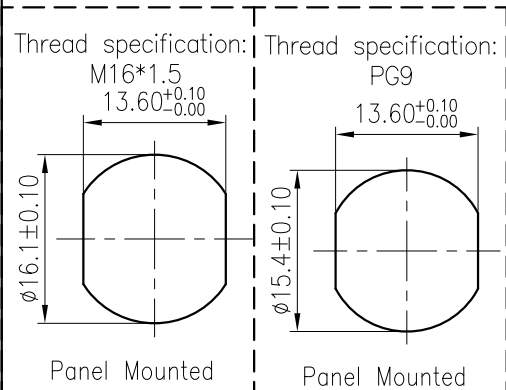
XX: 150~1500mm
15: 150±15mm
30: 300±20mm
50: 500±20mm
D0: 1000±40mm
D5: 1500±40mm
Wire
Length
L: 150~1500mm

MATERIAL:		SURFACE:	
MAT NO.:	NINGBO DEGSON ELECTRICAL CO., LTD		
STATUS: /	DEGSON®		
APPD:	NAME: SD-M12X-XXP-FF-SF8XXX-00A(H)		
CHKD:	DRAWING NO.:		
DRFT: XU XY 2021.08.30	/		REV 00
SIZE: A4	TYPE: CUSTOMER DRAWING		SCALE: 1:1 SHEET 1/2

REV	ECN	DESCRIPTION	DRFT	DATE
-----	-----	-------------	------	------

Transfer or duplication of this document as well as the utilization or communication of its contents are prohibited unless explicit authorization is granted. Violations will be liable for compensation. All rights reserved for patent, utility, model or designs registrations. 除非给予明确授权，否则禁止转让、复制、利用、交易本文件的内容。侵犯者将承担法律责任。 实用新型专利权和外观设计专利的所有权利。

Transfer or duplication of this document as well as the utilization or communication of its contents are prohibited unless explicit authorization is granted. Violations will be liable for compensation. All rights reserved for patent, utility, model or designs registrations. 除非给予明确授权，否则禁止转让、复制、利用、交易本文件的内容。侵犯者将承担法律责任。本公司保留就涉及发明、实用新型和外观设计的所有权利。



6pin A Coding		8pin A Coding		4pin D Coding		5pin B Coding		10pin A Coding		12pin A Coding	
Pin Assignments Front View		Pin Assignments Front View		Pin Assignments Front View		Pin Assignments Front View		Pin Assignments Front View		Pin Assignments Front View	
										12	Red/Blue
										11	Grey/Pink
										10	Violet
										9	Red
		8	Red							8	Grey
		7	Blue							7	Black
		6	Pink							6	Yellow
										5	Pink
										4	Green
										3	White
										2	Blue
										1	Brown
Pin	Wire Color	Pin	Wire Color	Pin	Wire Color	Pin	Wire Color	Pin	Wire Color	Pin	Wire Color
Pin Out		Pin Out		Pin Out		Pin Out		Pin Out		Pin Out	

MATERIAL:		SURFACE:	
MAT NO.:		宁波高松电子有限公司 NINGBO DEGSON ELECTRICAL CO., LTD	
STATUS: /			
APPD:		NAME: SD-M12X-XXP-FF-SF8XXX-00A(H)	
CHKD:		DRAWING NO.:	
DRFT: XU XY 2021.08.30		REV: 00	
SIZE: A4		TYPE: CUSTOMER DRAWING	
SCALE: 1:1		SHEET: 2/2	

REV	ECN	DESCRIPTION	DRFT	DATE