

KEYES Camera, Fish-eye Wide-angle Camera for Raspberry Pi 3/2 / B + Camera 5MP /1080p

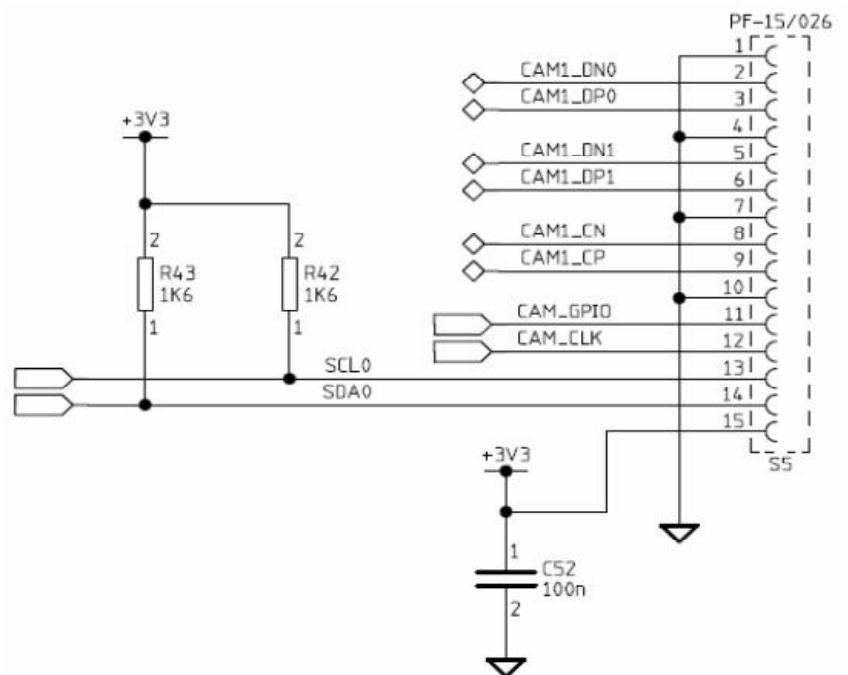
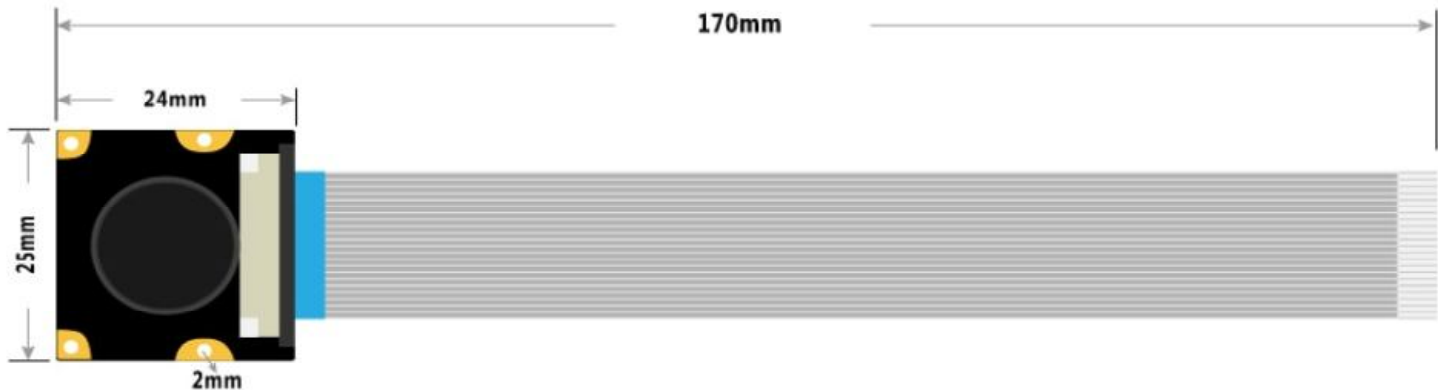
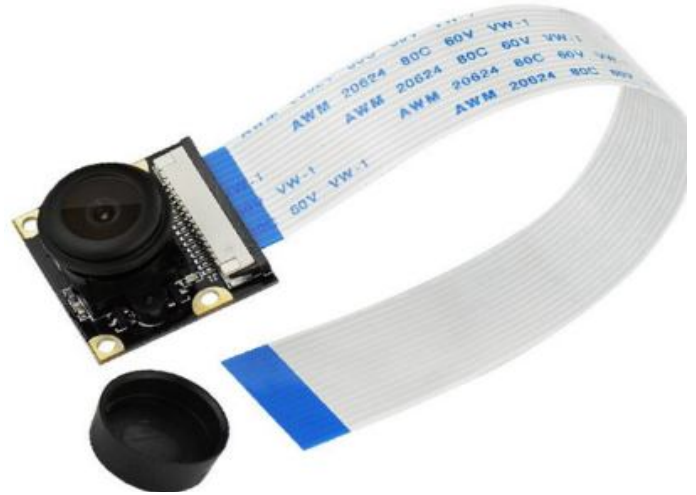
Module: SMP0079 / 180537

Description:

Home Automation Modules Cheap Home Automation Modules KEYES Camera. For Raspberry Pi 3/2/B+
This product is an infrared night vision camera, which needs to be installed with an infrared light source for night vision effect.

Specification:

- 1 The standard cable for the camera is 15 cm.
- 2 5 million pixels
- 3 Sensing chip: OV5647
- 4 CCD Size: 1 / 10.2 cm
- 5 Opening (F): 2.35
- 6 Focal Length: 3.6MM adjustable
- 7 Diagonal angle: 130 degrees
- 8 Sensor pixels: 1080P
- 9 Support 3.3 V external power supply
- 10 Fill light access support
- 11 Dimensions: 25 mm × 24 mm
Framerate: at 1920x1080 = 30fps
at 640x480 = 90fps



For instructions see link:

<http://e2e.ti.com/support/microcontrollers/msp430/f/166/t/524735?MSP430FR6989-communication-to-Raspberry-Pi-Camera-OV5647-using-I2C>
<https://github.com/techyian/MMALSharp/wiki/OmniVision-OV5647-Camera-Module>