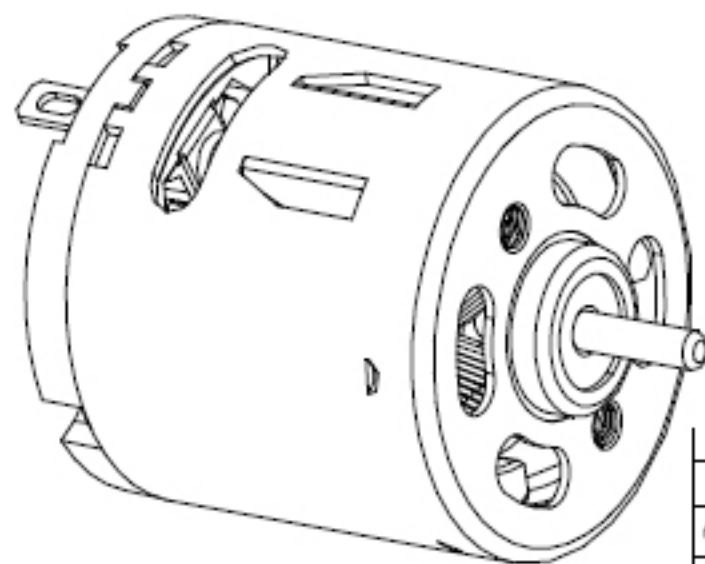


参考图：



NOTES:

1. END PLAY 0.50mm MAX
2. DIRECTION OF ROTATION ANTI-CLOCKWISE WHEN VIEWING MOTOR OUTPUT END WITH POSITIVE VOLTAGE APPLIED TO POSITIVE TERMINAL.
3. FRONT EXTENSION IS MEASURED WITH SHAFT PUSHED TO PLASTIC END CAP.
4. OPERATING TEMPERATURE RANGE: -10° C --- 60° C
5. WEIGHT:

A	FIRST ISSUE			
ALT.	REF.	DESCRIPTION	BY	DATE
MATERIAL	FINISH	TOLERANCES 1 DEC.PLACE± 0.2 2 DEC.PLACES± 0.10 3 DEC.PLACES± 0.05 ANGULAR± 2°		
TITLE MOTOR OUTLINE			SCALE	DATE
			DWN. BY 袁锐伟	12/10/16
三兴达 MOTOR			CHK. BY	
			APP. BY	
			DWG. NO.	
			SRG-365SA-10200-51	



# 三兴达微型电机有限公司

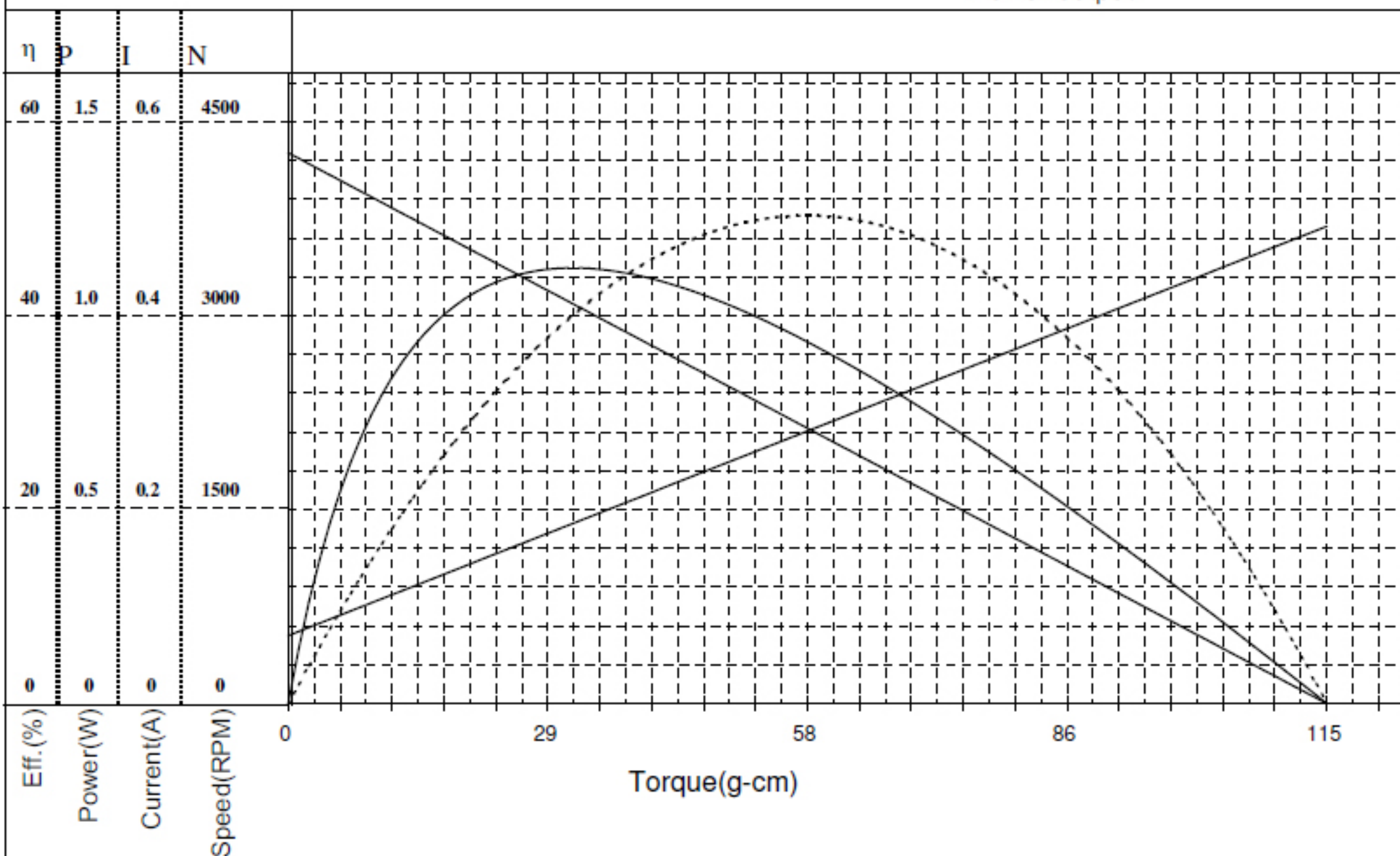
## Graph drawing

No. : **121015-1**  
Model: **SRC-365SA-10200-51**

Date: **2012/10/16**

—— Efficiency  
----- Power output

**NOTE:** Performance(in an ambient temperature of 25-30°C)  
Motor tested rapidly to prevent significant temperature rise.



(NOTE: 1mN-m = 10.2g-cm)

Constant voltage : **12.0** Volts  
Direction: **CCW**

**At No Load**  
Speed: **4260** RPM  
Current: **0.07** AMPS

**At stall(Extrapolated)**  
Torque: **115.1** gf-cm  
Current: **0.49** AMPS

**At maximum efficiency**  
Efficiency: **44.9** %  
Torque: **31.1** gf-cm  
Speed: **3109** RPM  
Current: **0.18** AMPS  
Output: **0.99** Watts

**At maximum Power output**  
Output: **1.26** Watts  
Torque: **57.6** gf-cm  
Speed: **2131** RPM  
Current: **0.28** AMPS

**Issued by QA Reliability Testing Center**

COMPUTER PRINT-OUT  
NOMINAL MOTOR CURVES  
Performance and characteristics are measured based on limited motor samples only