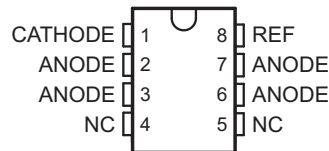


## PRECISION PROGRAMMABLE REFERENCE

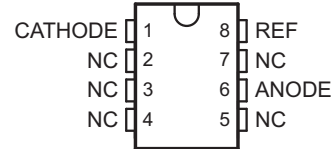
Check for Samples: [TL431](#), [TL431A](#), [TL431B](#), [TL432](#), [TL432A](#), [TL432B](#)

### FEATURES

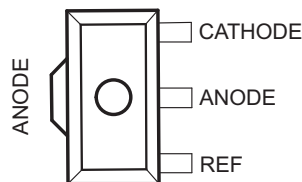
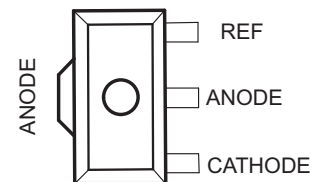
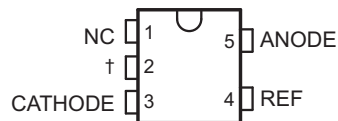
- Operation From  $-40^{\circ}\text{C}$  to  $125^{\circ}\text{C}$
- Reference Voltage Tolerance at  $25^{\circ}\text{C}$ 
  - 0.5% . . . B Grade
  - 1% . . . A Grade
  - 2% . . . Standard Grade
- Typical Temperature Drift (TL431B)
  - 6 mV (C Temp)
  - 14 mV (I Temp, Q Temp)
- Low Output Noise
- 0.2- $\Omega$  Typical Output Impedance
- Sink-Current Capability . . . 1 mA to 100 mA
- Adjustable Output Voltage . . . Vref to 36 V

TL431, TL431A, TL431B . . . D (SOIC) PACKAGE  
(TOP VIEW)


NC – No internal connection

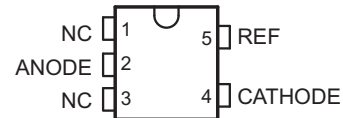
TL431, TL431A, TL431B . . . P (PDIP), PS (SOP),  
OR PW (TSSOP) PACKAGE  
(TOP VIEW)


NC – No internal connection

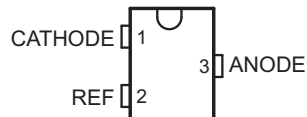
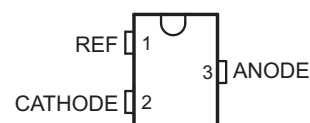
TL431, TL431A, TL431B . . . PK (SOT-89) PACKAGE  
(TOP VIEW)

TL432, TL432A, TL432B . . . PK (SOT-89) PACKAGE  
(TOP VIEW)

TL431, TL431A, TL431B . . . DBV (SOT-23-5) PACKAGE  
(TOP VIEW)


NC – No internal connection

† Pin 2 is attached to Substrate and must be connected to ANODE or left open.

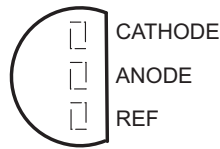
TL432, TL432A, TL432B . . . DBV (SOT-23-5) PACKAGE  
(TOP VIEW)


NC – No internal connection

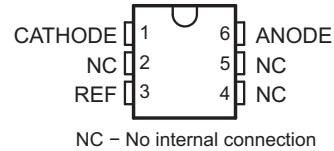
TL431, TL431A, TL431B . . . DBZ (SOT-23-3) PACKAGE  
(TOP VIEW)

TL432, TL432A, TL432B . . . DBZ (SOT-23-3) PACKAGE  
(TOP VIEW)


Please be aware that an important notice concerning availability, standard warranty, and use in critical applications of Texas Instruments semiconductor products and disclaimers thereto appears at the end of this data sheet.

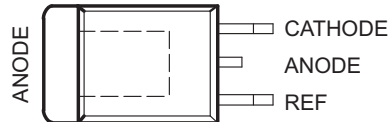
TL431, TL431A, TL431B . . . LP (TO-92/TO-226) PACKAGE  
 (TOP VIEW)



TL431A, TL431B . . . DCK (SC-70) PACKAGE  
 (TOP VIEW)



TL431 . . . KTP (PowerFLEX /TO-252) PACKAGE  
 (TOP VIEW)



## DESCRIPTION/ORDERING INFORMATION

The TL431 and TL432 are three-terminal adjustable shunt regulators, with specified thermal stability over applicable automotive, commercial, and military temperature ranges. The output voltage can be set to any value between  $V_{ref}$  (approximately 2.5 V) and 36 V, with two external resistors (see Figure 17). These devices have a typical output impedance of 0.2  $\Omega$ . Active output circuitry provides a very sharp turn-on characteristic, making these devices excellent replacements for Zener diodes in many applications, such as onboard regulation, adjustable power supplies, and switching power supplies. The TL432 has exactly the same functionality and electrical specifications as the TL431, but has different pinouts for the DBV, DBZ, and PK packages.

Both the TL431 and TL432 devices are offered in three grades, with initial tolerances (at 25°C) of 0.5%, 1%, and 2%, for the B, A, and standard grade, respectively. In addition, low output drift vs temperature ensures good stability over the entire temperature range.

The TL43xxC devices are characterized for operation from 0°C to 70°C, the TL43xxI devices are characterized for operation from -40°C to 85°C, and the TL43xxQ devices are characterized for operation from -40°C to 125°C.

**V<sub>ref</sub> TOLERANCE (25°C) = 2%**  
**TL431, TL432 ORDERING INFORMATION<sup>(1)</sup>**

| T <sub>A</sub>            | PACKAGE <sup>(2)</sup> |                             | ORDERABLE PART NUMBER | TOP-SIDE MARKING <sup>(3)</sup> |
|---------------------------|------------------------|-----------------------------|-----------------------|---------------------------------|
| 0°C to 70°C               | PDIP (P)               | Tube of 50                  | TL431CP               | TL431CP                         |
|                           |                        | SOIC (D)                    | Tube of 75            | TL431CD                         |
|                           |                        | Reel of 2500                | TL431CDR              |                                 |
|                           | SOP (PS)               | Reel of 2000                | TL431CPSR             | T431                            |
|                           | SOT-23-5 (DBV)         | Reel of 3000                | TL431CDBVR            | T3C_                            |
|                           |                        | Reel of 250                 | TL431CDBVT            |                                 |
|                           |                        | Reel of 3000                | TL432CDBVR            | T4C_                            |
|                           |                        | Reel of 250                 | TL432CDBVT            |                                 |
|                           | SOT-23-3 (DBZ)         | Reel of 3000                | TL431CDBZR            | T3C_                            |
|                           |                        | Reel of 250                 | TL431CDBZT            |                                 |
|                           |                        | Reel of 3000                | TL432CDBZR            | T4C_                            |
|                           |                        | Reel of 250                 | TL432CDBZT            |                                 |
|                           | SOT-89 (PK)            | Reel of 1000                | TL431CPK              | 43                              |
|                           |                        |                             | TL432CPK              | 2A                              |
|                           | TO-226/TO-92 (LP)      | Bulk of 1000, straight lead | TL431CLP              | TL431C                          |
|                           |                        | Ammo of 2000, formed lead   | TL431CLPM             |                                 |
| Reel of 2000, formed lead |                        | TL431CLPR                   |                       |                                 |
| TSSOP (PW)                | Tube of 150            | TL431CPW                    | T431                  |                                 |
|                           | Reel of 2000           | TL431CPWR                   |                       |                                 |
| -40°C to 85°C             | PDIP (P)               | Tube of 50                  | TL431IP               | TL431IP                         |
|                           |                        | SOIC (D)                    | Tube of 75            | TL431ID                         |
|                           |                        | Reel of 2500                | TL431IDR              |                                 |
|                           | SOT-23-5 (DBV)         | Reel of 3000                | TL431IDBVR            | T3I_                            |
|                           |                        | Reel of 250                 | TL431IDBVT            |                                 |
|                           |                        | Reel of 3000                | TL432IDBVR            | T4I_                            |
|                           |                        | Reel of 250                 | TL432IDBVT            |                                 |
|                           | SOT-23-3 (DBZ)         | Reel of 3000                | TL431IDBZR            | T3I_                            |
|                           |                        | Reel of 250                 | TL431IDBZT            |                                 |
|                           |                        | Reel of 3000                | TL432IDBZR            | T4I_                            |
|                           |                        | Reel of 250                 | TL432IDBZT            |                                 |
|                           | SOT-89 (PK)            | Reel of 1000                | TL431IPK              | 3I                              |
|                           |                        |                             | TL432IPK              | 2B                              |
|                           | TO-226/TO-92 (LP)      | Bulk of 1000, straight lead | TL431ILP              | TL431I                          |
|                           |                        | Ammo of 2000, formed lead   | TL431ILPM             |                                 |
|                           |                        | Reel of 2000, formed lead   | TL431ILPR             |                                 |

- (1) For the most current package and ordering information, see the Package Option Addendum at the end of this document, or see the TI web site at [www.ti.com](http://www.ti.com).
- (2) Package drawings, thermal data, and symbolization are available at [www.ti.com/packaging](http://www.ti.com/packaging).
- (3) DBV/DBZ/DCK: The actual top-side marking has one additional character that designates the wafer fab/assembly site.

$V_{ref}$  TOLERANCE (25°C) = 2%  
 TL431, TL432 ORDERING INFORMATION <sup>(1)</sup> (continued)

| $T_A$          | PACKAGE <sup>(2)</sup> | ORDERABLE PART NUMBER | TOP-SIDE MARKING <sup>(3)</sup> |     |
|----------------|------------------------|-----------------------|---------------------------------|-----|
| -40°C to 125°C | SOT-23-5 (DBV)         | Reel of 3000          | TL431QDBVR                      |     |
|                |                        | Reel of 250           | TL431QDBVT                      |     |
|                |                        | Reel of 3000          | TL432QDBVR                      |     |
|                |                        | Reel of 250           | TL432QDBVT                      |     |
|                | SOT-23-3 (DBZ)         | Reel of 3000          | TL431QDBZR                      |     |
|                |                        | Reel of 250           | TL431QDBZT                      |     |
|                |                        | Reel of 3000          | TL432QDBZR                      |     |
|                |                        | Reel of 250           | TL432QDBZT                      |     |
|                | SOT-89 (PK)            | Reel of 1000          | TL431QPK                        | 3Q  |
|                |                        |                       | TL432QPK                        | 2C  |
|                | SC-70 (DCK)            | Reel of 1000          | TL431QDCKR                      | T6_ |
|                |                        | Reel of 250           | TL431QDCKT                      |     |

**V<sub>ref</sub> TOLERANCE (25°C) = 1%**  
**TL431A, TL432A ORDERING INFORMATION<sup>(1)</sup>**

| T <sub>A</sub> | PACKAGE <sup>(2)</sup> |                             | ORDERABLE PART NUMBER | TOP-SIDE MARKING <sup>(3)</sup> |
|----------------|------------------------|-----------------------------|-----------------------|---------------------------------|
| 0°C to 70°C    | PDIP (P)               | Tube of 50                  | TL431ACP              | TL431ACP                        |
|                |                        | Reel of 3000                | TL431ACDCKR           | T4_                             |
|                | SC-70 (DCK)            | Reel of 250                 | TL431ACDCKT           |                                 |
|                |                        | Tube of 75                  | TL431ACD              | 431AC                           |
|                | SOIC (D)               | Reel of 2500                | TL431ACDR             |                                 |
|                |                        | Reel of 2000                | TL431ACPSR            | T431A                           |
|                | SOT-23-5 (DBV)         | Reel of 3000                | TL431ACDBVR           | TAC_                            |
|                |                        | Reel of 250                 | TL431ACDBVT           |                                 |
|                |                        | Reel of 3000                | TL432ACDBVR           | T4B_                            |
|                |                        | Reel of 250                 | TL432ACDBVT           |                                 |
|                | SOT-23-3 (DBZ)         | Reel of 3000                | TL431ACDBZR           | TAC_                            |
|                |                        | Reel of 250                 | TL431ACDBZT           |                                 |
|                |                        | Reel of 3000                | TL432ACDBZR           | T4B_                            |
|                |                        | Reel of 250                 | TL432ACDBZT           |                                 |
|                | SOT-89 (PK)            | Reel of 1000                | TL431ACPK             | 4A                              |
|                |                        |                             | TL432ACPK             | 2D                              |
|                | TO-226/TO-92 (LP)      | Bulk of 1000, straight lead | TL431ACL              | TL431AC                         |
|                |                        | Ammo of 2000, formed lead   | TL431ACLPM            |                                 |
|                |                        | Reel of 2000, formed lead   | TL431ACLPR            |                                 |
|                |                        | Reel of 2000, formed lead   | TL431ACLPRE3          |                                 |
| TSSOP (PW)     | Tube of 150            | TL431ACPW                   | T431A                 |                                 |
|                | Reel of 2000           | TL431ACPWR                  |                       |                                 |
| -40°C to 85°C  | PDIP (P)               | Tube of 50                  | TL431AIP              | TL431AIP                        |
|                |                        | Reel of 3000                | TL431AIDCKR           | T5_                             |
|                | SC-70 (DCK)            | Reel of 250                 | TL431AIDCKT           |                                 |
|                |                        | Tube of 75                  | TL431AID              | 431AI                           |
|                | SOIC (D)               | Reel of 2500                | TL431AIDR             |                                 |
|                |                        | Reel of 3000                | TL431AIDBVR           | TAI_                            |
|                | SOT-23-5 (DBV)         | Reel of 250                 | TL431AIDBVT           |                                 |
|                |                        | Reel of 3000                | TL432AIDBVR           | T4A_                            |
|                |                        | Reel of 250                 | TL432AIDBVT           |                                 |
|                |                        | Reel of 3000                | TL431AIDBZR           | TAI_                            |
|                | SOT-23-3 (DBZ)         | Reel of 250                 | TL431AIDBZT           |                                 |
|                |                        | Reel of 3000                | TL432AIDBZR           | T4A_                            |
|                |                        | Reel of 250                 | TL432AIDBZT           |                                 |
|                |                        | Reel of 1000                | TL431AIPK             | 4B                              |
|                | SOT-89 (PK)            | Reel of 1000                | TL432AIPK             | 2E                              |
|                |                        |                             | TL431AILP             | TL431AI                         |
|                | TO-226/TO-92 (LP)      | Bulk of 1000, straight lead | TL431AILP             |                                 |
|                |                        | Ammo of 2000, formed lead   | TL431AILPM            |                                 |
|                |                        | Reel of 2000, formed lead   | TL431AILPR            |                                 |

(1) For the most current package and ordering information, see the Package Option Addendum at the end of this document, or see the TI web site at [www.ti.com](http://www.ti.com).

(2) Package drawings, thermal data, and symbolization are available at [www.ti.com/packaging](http://www.ti.com/packaging).

(3) DBV/DBZ/DCK: The actual top-side marking has one additional character that designates the wafer fab/assembly site.

$V_{ref}$  TOLERANCE (25°C) = 1%  
 TL431A, TL432A ORDERING INFORMATION <sup>(1)</sup> (continued)

| $T_A$          | PACKAGE <sup>(2)</sup> |              | ORDERABLE PART NUMBER | TOP-SIDE MARKING <sup>(3)</sup> |
|----------------|------------------------|--------------|-----------------------|---------------------------------|
| -40°C to 125°C | SOT-23-5 (DBV)         | Reel of 3000 | TL431AQDBVR           | TAQ_                            |
|                |                        | Reel of 250  | TL431AQDBVT           |                                 |
|                |                        | Reel of 3000 | TL432AQDBVR           | T4D_                            |
|                |                        | Reel of 250  | TL432AQDBVT           |                                 |
|                | SOT-23-3 (DBZ)         | Reel of 3000 | TL431AQDBZR           | TAQ_                            |
|                |                        | Reel of 250  | TL431AQDBZT           |                                 |
|                |                        | Reel of 3000 | TL432AQDBZR           | T4D_                            |
|                |                        | Reel of 250  | TL432AQDBZT           |                                 |
|                | SOT-89 (PK)            | Reel of 1000 | TL431AQPK             | 4D                              |
|                |                        |              | TL432AQPK             | 2F                              |
|                | SC-70 (PK)             | Reel of 1000 | TL431AQDCKR           | T7_                             |
|                |                        | Reel of 250  | TL431AQDCKT           |                                 |

**V<sub>ref</sub> TOLERANCE (25°C) = 0.5%**  
**TL431B, TL432B ORDERING INFORMATION<sup>(1)</sup>**

| T <sub>A</sub>            | PACKAGE <sup>(2)</sup> |                             | ORDERABLE PART NUMBER | TOP-SIDE MARKING <sup>(3)</sup> |
|---------------------------|------------------------|-----------------------------|-----------------------|---------------------------------|
| 0°C to 70°C               | PDIP (P)               | Tube of 50                  | TL431BCP              | TL431BCP                        |
|                           | SC-70 (DCK)            | Reel of 3000                | TL431BCDCKR           | T2_                             |
|                           |                        | Reel of 250                 | TL431BCDCKT           |                                 |
|                           | SOIC (D)               | Tube of 75                  | TL431BCD              | T431B                           |
|                           |                        | Reel of 2500                | TL431BCDR             |                                 |
|                           | SOP (PS)               | Reel of 2000                | TL431BCPSR            | TL431B                          |
|                           | SOT-23-5 (DBV)         | Reel of 3000                | TL431BCDBVR           | T3G_                            |
|                           |                        | Reel of 250                 | TL431BCDBVT           |                                 |
|                           |                        | Reel of 3000                | TL432BCDBVR           | TBC_                            |
|                           |                        | Reel of 250                 | TL432BCDBVT           |                                 |
|                           | SOT-23-3 (DBZ)         | Reel of 3000                | TL431BCDBZR           | T3G_                            |
|                           |                        | Reel of 250                 | TL431BCDBZT           |                                 |
|                           |                        | Reel of 3000                | TL432BCDBZR           | TBC_                            |
|                           |                        | Reel of 250                 | TL432BCDBZT           |                                 |
|                           | SOT-89 (PK)            | Reel of 1000                | TL431BCPK             | 4C                              |
|                           |                        |                             | TL432BCPK             | 2G                              |
|                           | TO-226/TO-92 (LP)      | Bulk of 1000, straight lead | TL431BCLP             | TL431B                          |
|                           |                        | Ammo of 2000, formed lead   | TL431BCLPM            |                                 |
| Reel of 2000, formed lead |                        | TL431BCLPR                  |                       |                                 |
| TSSOP (PW)                | Tube of 150            | TL431BCPW                   | T431B                 |                                 |
|                           | Reel of 2000           | TL431BCPWR                  |                       |                                 |
| -40°C to 85°C             | PDIP (P)               | Tube of 50                  | TL431BIP              | TL431BIP                        |
|                           | SC-70 (DCK)            | Reel of 3000                | TL431BIDCKR           | T3_                             |
|                           |                        | Reel of 250                 | TL431BIDCKT           |                                 |
|                           | SOIC (D)               | Tube of 75                  | TL431BID              | Z431B                           |
|                           |                        | Reel of 2500                | TL431BIDR             |                                 |
|                           | SOT-23-5 (DBV)         | Reel of 3000                | TL431BIDBVR           | T3F_                            |
|                           |                        | Reel of 250                 | TL431BIDBVT           |                                 |
|                           |                        | Reel of 3000                | TL432BIDBVR           | T4F_                            |
|                           |                        | Reel of 250                 | TL432BIDBVT           |                                 |
|                           | SOT-23-3 (DBZ)         | Reel of 3000                | TL431BIDBZR           | T3F_                            |
|                           |                        | Reel of 250                 | TL431BIDBZT           |                                 |
|                           |                        | Reel of 3000                | TL432BIDBZR           | T4F_                            |
|                           |                        | Reel of 250                 | TL432BIDBZT           |                                 |
|                           | SOT-89 (PK)            | Reel of 1000                | TL431BIPK             | 4I                              |
|                           |                        |                             | TL432BIPK             | 2H                              |
|                           | TO-226/TO-92 (LP)      | Bulk of 1000, straight lead | TL431BILP             | Z431B                           |
|                           |                        | Ammo of 2000, formed lead   | TL431BILPM            |                                 |
|                           |                        | Reel of 2000, formed lead   | TL431BILPR            |                                 |

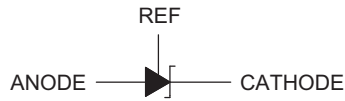
- (1) For the most current package and ordering information, see the Package Option Addendum at the end of this document, or see the TI web site at [www.ti.com](http://www.ti.com).
- (2) Package drawings, thermal data, and symbolization are available at [www.ti.com/packaging](http://www.ti.com/packaging).
- (3) DBV/DBZ/DCK: The actual top-side marking has one additional character that designates the wafer fab/assembly site.

**$V_{ref}$  TOLERANCE (25°C) = 0.5%**  
**TL431B, TL432B ORDERING INFORMATION <sup>(1)</sup> (continued)**

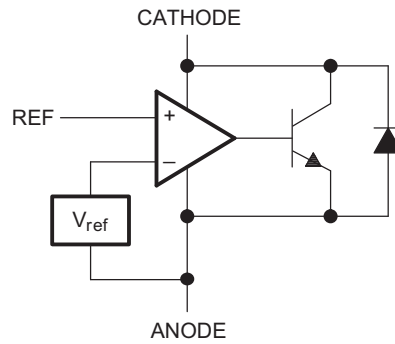
| $T_A$          | PACKAGE <sup>(2)</sup> |                             | ORDERABLE PART NUMBER | TOP-SIDE MARKING <sup>(3)</sup> |
|----------------|------------------------|-----------------------------|-----------------------|---------------------------------|
| -40°C to 125°C | SOIC (D)               | Tube of 75                  | TL431BQD              | T431BQ                          |
|                |                        | Reel of 2500                | TL431BQDR             |                                 |
|                | SOT-23-5 (DBV)         | Reel of 3000                | TL431BQDBVR           | T3H_                            |
|                |                        | Reel of 250                 | TL431BQDBVT           |                                 |
|                |                        | Reel of 3000                | TL432BQDBVR           | T4H_                            |
|                |                        | Reel of 250                 | TL432BQDBVT           |                                 |
|                | SOT-23-3 (DBZ)         | Reel of 3000                | TL431BQDBZR           | T3H_                            |
|                |                        | Reel of 250                 | TL431BQDBZT           |                                 |
|                |                        | Reel of 3000                | TL432BQDBZR           | T4H_                            |
|                |                        | Reel of 250                 | TL432BQDBZT           |                                 |
|                | SOT-89 (PK)            | Reel of 1000                | TL431BQPK             | 3H                              |
|                |                        |                             | TL432BQPK             | 2J                              |
|                | TO-226/TO-92 (LP)      | Bulk of 1000, straight lead | TL431BQLP             | T431BQ                          |
|                |                        | Ammo of 2000, formed lead   | TL431BQLPM            |                                 |
|                |                        | Reel of 2000, formed lead   | TL431BQLPR            |                                 |
|                | SC-70 (DCK)            | Reel of 1000                | TL431BQDCKR           | T8_                             |
| Reel of 250    |                        | TL431BQDCKT                 |                       |                                 |



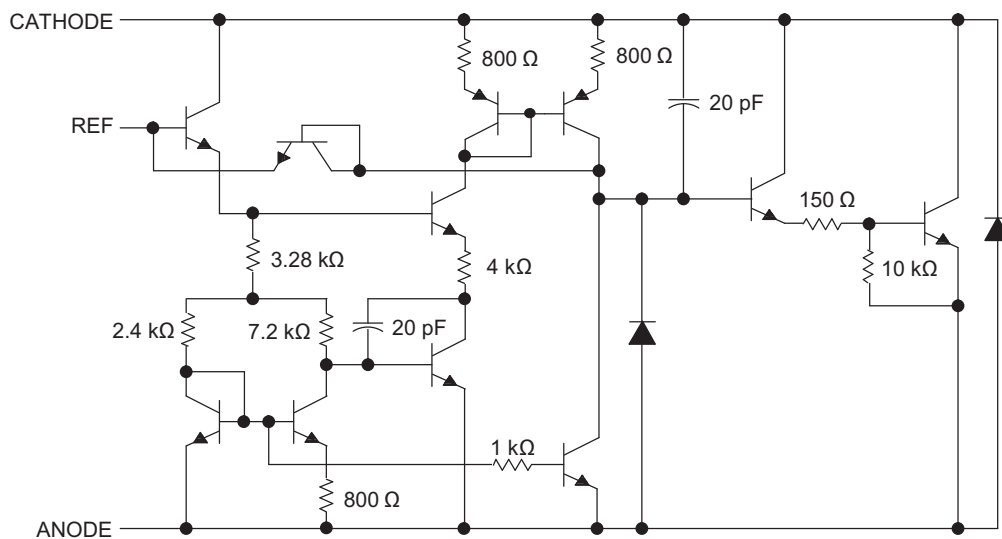
**SYMBOL**



**FUNCTIONAL BLOCK DIAGRAM**



**EQUIVALENT SCHEMATIC**



NOTE: All component values are nominal.

## ABSOLUTE MAXIMUM RATINGS<sup>(1)</sup>

over operating free-air temperature range (unless otherwise noted)

|              |  | MIN   | MAX | UNIT |
|--------------|--|-------|-----|------|
| $V_{KA}$     | Cathode voltage <sup>(2)</sup>         |       | 37  | V    |
| $I_{KA}$     | Continuous cathode current range       | -100  | 150 | mA   |
| $I_{I(ref)}$ | Reference input current range          | -0.05 | 10  | mA   |
| $T_J$        | Operating virtual junction temperature |       | 150 | °C   |
| $T_{stg}$    | Storage temperature range              | -65   | 150 | °C   |

- (1) Stresses beyond those listed under "absolute maximum ratings" may cause permanent damage to the device. These are stress ratings only, and functional operation of the device at these or any other conditions beyond those indicated under "recommended operating conditions" is not implied. Exposure to absolute-maximum-rated conditions for extended periods may affect device reliability.
- (2) All voltage values are with respect to ANODE, unless otherwise noted.

## PACKAGE THERMAL DATA<sup>(1)</sup>

| PACKAGE        | BOARD             | $\theta_{JC}$ | $\theta_{JA}$ |
|----------------|-------------------|---------------|---------------|
| PDIP (P)       | High K, JESD 51-7 | 57°C/W        | 85°C/W        |
| SC-70 (DCK)    | High K, JESD 51-7 | 259°C/W       | 87°C/W        |
| SOIC (D)       | High K, JESD 51-7 | 39°C/W        | 97°C/W        |
| SOP (PS)       | High K, JESD 51-7 | 46°C/W        | 95°C/W        |
| SOT-89 (PK)    | High K, JESD 51-7 | 9°C/W         | 52°C/W        |
| SOT-23-5 (DBV) | High K, JESD 51-7 | 131°C/W       | 206°C/W       |
| SOT-23-3 (DBZ) | High K, JESD 51-7 | 76°C/W        | 206°C/W       |
| TO-92 (LP)     | High K, JESD 51-7 | 55°C/W        | 140°C/W       |
| TSSOP (PW)     | High K, JESD 51-7 | 65°C/W        | 149°C/W       |

- (1) Maximum power dissipation is a function of  $T_{J(max)}$ ,  $\theta_{JA}$ , and  $T_A$ . The maximum allowable power dissipation at any allowable ambient temperature is  $P_D = (T_{J(max)} - T_A)/\theta_{JA}$ . Operating at the absolute maximum  $T_J$  of 150°C can affect reliability.

## RECOMMENDED OPERATING CONDITIONS

|          |                                | MIN       | MAX | UNIT |
|----------|--------------------------------|-----------|-----|------|
| $V_{KA}$ | Cathode voltage                | $V_{ref}$ | 36  | V    |
| $I_{KA}$ | Cathode current                | 1         | 100 | mA   |
| $T_A$    | Operating free-air temperature | TL43xxC   | 0   | 70   |
|          |                                | TL43xxI   | -40 | 85   |
|          |                                | TL43xxQ   | -40 | 125  |

## ELECTRICAL CHARACTERISTICS

over recommended operating conditions,  $T_A = 25^\circ\text{C}$  (unless otherwise noted)

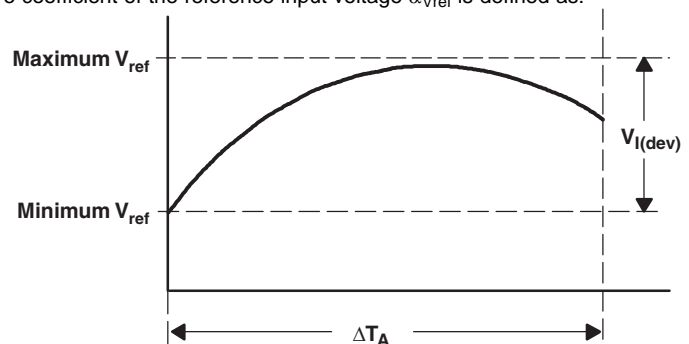
| PARAMETER  | TEST CIRCUIT  | TEST CONDITIONS | TL431C, TL432C  |  |      | UNIT          |      |
|--|---|-----------------|---|--|------|---------------|------|
|  |   |                 | MIN   | TYP  | MAX  |               |      |
| $V_{\text{ref}}$                                     | Reference voltage   | Figure 1        | $V_{\text{KA}} = V_{\text{ref}}, I_{\text{KA}} = 10 \text{ mA}$   |  |      | mV            |      |
| $V_{\text{I(dev)}}$                                  | Deviation of reference input voltage over full temperature range <sup>(1)</sup> | Figure 1        | $V_{\text{KA}} = V_{\text{ref}}, I_{\text{KA}} = 10 \text{ mA}, T_A = 0^\circ\text{C to } 70^\circ\text{C}$         | SOT23-3 and TL432 devices                              | 6    | 16            | mV   |
|  |   |                 |   | All other devices                                      | 4    | 25            |      |
| $\frac{\Delta V_{\text{ref}}}{\Delta V_{\text{KA}}}$ | Ratio of change in reference voltage to the change in cathode voltage           | Figure 2        | $I_{\text{KA}} = 10 \text{ mA}$   | $\Delta V_{\text{KA}} = 10 \text{ V} - V_{\text{ref}}$ | -1.4 | -2.7          | mV/V |
|  |   |                 |   | $\Delta V_{\text{KA}} = 36 \text{ V} - 10 \text{ V}$   | -1   | -2            |      |
| $I_{\text{ref}}$                                     | Reference input current   | Figure 2        | $I_{\text{KA}} = 10 \text{ mA}, R_1 = 10 \text{ k}\Omega, R_2 = \infty$   |  |      | $\mu\text{A}$ |      |
| $I_{\text{I(dev)}}$                                  | Deviation of reference input current over full temperature range <sup>(1)</sup> | Figure 2        | $I_{\text{KA}} = 10 \text{ mA}, R_1 = 10 \text{ k}\Omega, R_2 = \infty, T_A = 0^\circ\text{C to } 70^\circ\text{C}$ |  |      | $\mu\text{A}$ |      |
| $I_{\text{min}}$                                     | Minimum cathode current for regulation  | Figure 1        | $V_{\text{KA}} = V_{\text{ref}}$  |  |      | mA            |      |
| $I_{\text{off}}$                                     | Off-state cathode current   | Figure 3        | $V_{\text{KA}} = 36 \text{ V}, V_{\text{ref}} = 0$  |  |      | $\mu\text{A}$ |      |
| $ z_{\text{KA}} $                                    | Dynamic impedance <sup>(2)</sup>  | Figure 1        | $V_{\text{KA}} = V_{\text{ref}}, f \leq 1 \text{ kHz}, I_{\text{KA}} = 1 \text{ mA to } 100 \text{ mA}$             |  |      | $\Omega$      |      |

- (1) The deviation parameters  $V_{\text{ref(dev)}}$  and  $I_{\text{ref(dev)}}$  are defined as the differences between the maximum and minimum values obtained over the rated temperature range. The average full-range temperature coefficient of the reference input voltage  $\alpha_{V_{\text{ref}}}$  is defined as:

$$\left| \alpha_{V_{\text{ref}}} \right| \left( \frac{\text{ppm}}{^\circ\text{C}} \right) = \frac{\left( \frac{V_{\text{I(dev)}}}{V_{\text{ref at } 25^\circ\text{C}}} \right) \times 10^6}{T_A}$$

where:

$\Delta T_A$  is the rated operating temperature range of the device.



$\alpha_{V_{\text{ref}}}$  is positive or negative, depending on whether minimum  $V_{\text{ref}}$  or maximum  $V_{\text{ref}}$ , respectively, occurs at the lower temperature.

- (2) The dynamic impedance is defined as:  $|z_{\text{KA}}| = \frac{\Delta V_{\text{KA}}}{\Delta I_{\text{KA}}}$

When the device is operating with two external resistors (see Figure 2), the total dynamic impedance of the circuit is given by:  $|z'| = \frac{\Delta V}{\Delta I}$  which is approximately equal to  $|z_{\text{KA}}| \left( 1 + \frac{R_1}{R_2} \right)$ .

## ELECTRICAL CHARACTERISTICS

over recommended operating conditions,  $T_A = 25^\circ\text{C}$  (unless otherwise noted)

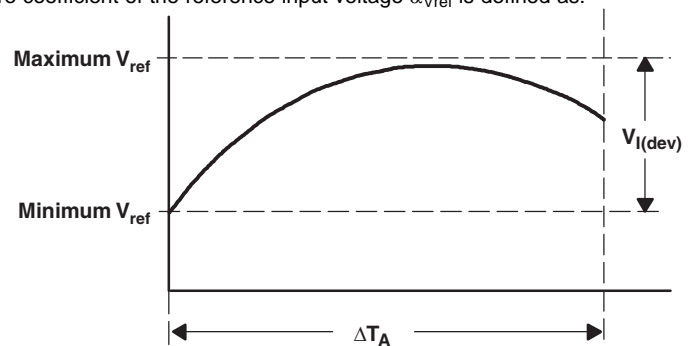
| PARAMETER  | TEST CIRCUIT  | TEST CONDITIONS | TL431, TL432I  |  |      | UNIT          |      |
|--|---|-----------------|--|--|------|---------------|------|
|  |   |                 | MIN  | TYP  | MAX  |               |      |
| $V_{\text{ref}}$                                     | Reference voltage   | Figure 1        | $V_{\text{KA}} = V_{\text{ref}}, I_{\text{KA}} = 10 \text{ mA}$  |  |      | mV            |      |
| $V_{\text{I(dev)}}$                                  | Deviation of reference input voltage over full temperature range <sup>(1)</sup> | Figure 1        | $V_{\text{KA}} = V_{\text{ref}},$<br>$I_{\text{KA}} = 10 \text{ mA},$<br>$T_A = 0^\circ\text{C to } 70^\circ\text{C}$    | SOT23-3 and TL432 devices                              | 14   | 34            | mV   |
|  |   |                 |  | All other devices                                      | 5    | 50            |      |
| $\frac{\Delta V_{\text{ref}}}{\Delta V_{\text{KA}}}$ | Ratio of change in reference voltage to the change in cathode voltage           | Figure 2        | $I_{\text{KA}} = 10 \text{ mA}$  | $\Delta V_{\text{KA}} = 10 \text{ V} - V_{\text{ref}}$ | -1.4 | -2.7          | mV/V |
|  |   |                 |  | $\Delta V_{\text{KA}} = 36 \text{ V} - 10 \text{ V}$   | -1   | -2            |      |
| $I_{\text{ref}}$                                     | Reference input current   | Figure 2        | $I_{\text{KA}} = 10 \text{ mA}, R_1 = 10 \text{ k}\Omega, R_2 = \infty$  |  |      | $\mu\text{A}$ |      |
| $I_{\text{I(dev)}}$                                  | Deviation of reference input current over full temperature range <sup>(1)</sup> | Figure 2        | $I_{\text{KA}} = 10 \text{ mA}, R_1 = 10 \text{ k}\Omega, R_2 = \infty,$<br>$T_A = 0^\circ\text{C to } 70^\circ\text{C}$ |  |      | $\mu\text{A}$ |      |
| $I_{\text{min}}$                                     | Minimum cathode current for regulation  | Figure 1        | $V_{\text{KA}} = V_{\text{ref}}$   |  |      | mA            |      |
| $I_{\text{off}}$                                     | Off-state cathode current   | Figure 3        | $V_{\text{KA}} = 36 \text{ V}, V_{\text{ref}} = 0$   |  |      | $\mu\text{A}$ |      |
| $ z_{\text{KA}} $                                    | Dynamic impedance <sup>(2)</sup>  | Figure 1        | $V_{\text{KA}} = V_{\text{ref}}, f \leq 1 \text{ kHz}, I_{\text{KA}} = 1 \text{ mA to } 100 \text{ mA}$                  |  |      | $\Omega$      |      |

- (1) The deviation parameters  $V_{\text{ref(dev)}}$  and  $I_{\text{ref(dev)}}$  are defined as the differences between the maximum and minimum values obtained over the rated temperature range. The average full-range temperature coefficient of the reference input voltage  $\alpha_{V_{\text{ref}}}$  is defined as:

$$\left| \alpha_{V_{\text{ref}}} \right| \left( \frac{\text{ppm}}{^\circ\text{C}} \right) = \frac{\left( \frac{V_{\text{I(dev)}}}{V_{\text{ref at } 25^\circ\text{C}}} \right) \times 10^6}{T_A}$$

where:

$\Delta T_A$  is the rated operating temperature range of the device.



$\alpha_{V_{\text{ref}}}$  is positive or negative, depending on whether minimum  $V_{\text{ref}}$  or maximum  $V_{\text{ref}}$ , respectively, occurs at the lower temperature.

- (2) The dynamic impedance is defined as:  $|z_{\text{KA}}| = \frac{\Delta V_{\text{KA}}}{\Delta I_{\text{KA}}}$

When the device is operating with two external resistors (see Figure 2), the total dynamic impedance of the circuit is given by:  $|z'| = \frac{\Delta V}{\Delta I}$   
which is approximately equal to  $|z_{\text{KA}}| \left( 1 + \frac{R_1}{R_2} \right)$ .

## ELECTRICAL CHARACTERISTICS

 over recommended operating conditions,  $T_A = 25^\circ\text{C}$  (unless otherwise noted)

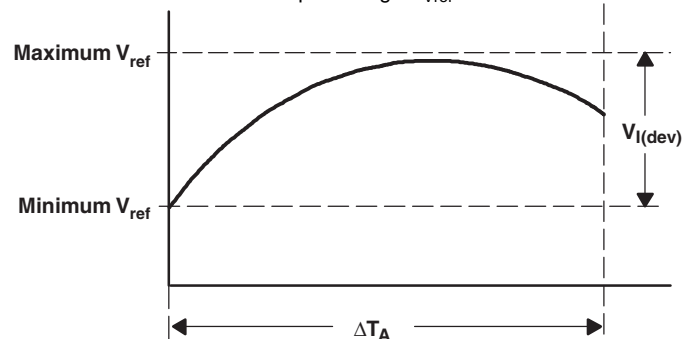
| PARAMETER  | TEST CIRCUIT  | TEST CONDITIONS | TL431Q, TL432Q  |  |      | UNIT          |      |
|--|---|-----------------|---|--|------|---------------|------|
|  |   |                 | MIN   | TYP  | MAX  |               |      |
| $V_{\text{ref}}$                                     | Reference voltage   | Figure 1        | $V_{\text{KA}} = V_{\text{ref}}, I_{\text{KA}} = 10 \text{ mA}$   |  |      | mV            |      |
| $V_{\text{I(dev)}}$                                  | Deviation of reference input voltage over full temperature range <sup>(1)</sup> | Figure 1        | $V_{\text{KA}} = V_{\text{ref}}, I_{\text{KA}} = 10 \text{ mA}, T_A = 0^\circ\text{C to } 70^\circ\text{C}$         |  |      | mV            |      |
| $\frac{\Delta V_{\text{ref}}}{\Delta V_{\text{KA}}}$ | Ratio of change in reference voltage to the change in cathode voltage           | Figure 2        | $I_{\text{KA}} = 10 \text{ mA}$   | $\Delta V_{\text{KA}} = 10 \text{ V} - V_{\text{ref}}$ | -1.4 | -2.7          | mV/V |
|  |   |                 |   | $\Delta V_{\text{KA}} = 36 \text{ V} - 10 \text{ V}$   | -1   | -2            |      |
| $I_{\text{ref}}$                                     | Reference input current   | Figure 2        | $I_{\text{KA}} = 10 \text{ mA}, R_1 = 10 \text{ k}\Omega, R_2 = \infty$   |  |      | $\mu\text{A}$ |      |
| $I_{\text{I(dev)}}$                                  | Deviation of reference input current over full temperature range <sup>(1)</sup> | Figure 2        | $I_{\text{KA}} = 10 \text{ mA}, R_1 = 10 \text{ k}\Omega, R_2 = \infty, T_A = 0^\circ\text{C to } 70^\circ\text{C}$ |  |      | $\mu\text{A}$ |      |
| $I_{\text{min}}$                                     | Minimum cathode current for regulation  | Figure 1        | $V_{\text{KA}} = V_{\text{ref}}$  |  |      | mA            |      |
| $I_{\text{off}}$                                     | Off-state cathode current   | Figure 3        | $V_{\text{KA}} = 36 \text{ V}, V_{\text{ref}} = 0$  |  |      | $\mu\text{A}$ |      |
| $ z_{\text{KA}} $                                    | Dynamic impedance <sup>(2)</sup>  | Figure 1        | $V_{\text{KA}} = V_{\text{ref}}, f \leq 1 \text{ kHz}, I_{\text{KA}} = 1 \text{ mA to } 100 \text{ mA}$             |  |      | $\Omega$      |      |

- (1) The deviation parameters  $V_{\text{ref(dev)}}$  and  $I_{\text{ref(dev)}}$  are defined as the differences between the maximum and minimum values obtained over the rated temperature range. The average full-range temperature coefficient of the reference input voltage  $\alpha_{V_{\text{ref}}}$  is defined as:

$$\left| \alpha_{V_{\text{ref}}} \right| \left( \frac{\text{ppm}}{^\circ\text{C}} \right) = \frac{\left( \frac{V_{\text{I(dev)}}}{V_{\text{ref at } 25^\circ\text{C}}} \right) \times 10^6}{T_A}$$

where:

$\Delta T_A$  is the rated operating temperature range of the device.



$\alpha_{V_{\text{ref}}}$  is positive or negative, depending on whether minimum  $V_{\text{ref}}$  or maximum  $V_{\text{ref}}$ , respectively, occurs at the lower temperature.

- (2) The dynamic impedance is defined as:  $|z_{\text{KA}}| = \frac{\Delta V_{\text{KA}}}{\Delta I_{\text{KA}}}$

When the device is operating with two external resistors (see Figure 2), the total dynamic impedance of the circuit is given by:  $|z'| = \frac{\Delta V}{\Delta I}$  which is approximately equal to  $|z_{\text{KA}}| \left( 1 + \frac{R_1}{R_2} \right)$ .

## ELECTRICAL CHARACTERISTICS

over recommended operating conditions,  $T_A = 25^\circ\text{C}$  (unless otherwise noted)

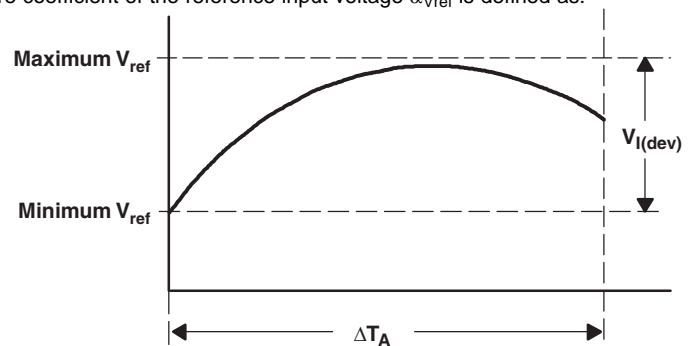
| PARAMETER  | TEST CIRCUIT  | TEST CONDITIONS | TL431AC, TL432AC   |  |      | UNIT          |      |
|--|---|-----------------|--|--|------|---------------|------|
|  |   |                 | MIN  | TYP  | MAX  |               |      |
| $V_{\text{ref}}$                                     | Reference voltage   | Figure 1        | $V_{\text{KA}} = V_{\text{ref}}, I_{\text{KA}} = 10 \text{ mA}$  |  |      | mV            |      |
| $V_{\text{I(dev)}}$                                  | Deviation of reference input voltage over full temperature range <sup>(1)</sup> | Figure 1        | $V_{\text{KA}} = V_{\text{ref}},$<br>$I_{\text{KA}} = 10 \text{ mA},$<br>$T_A = 0^\circ\text{C to } 70^\circ\text{C}$    | SOT23-3 and TL432 devices                              | 6    | 16            | mV   |
|  |   |                 |  | All other devices                                      | 4    | 25            |      |
| $\frac{\Delta V_{\text{ref}}}{\Delta V_{\text{KA}}}$ | Ratio of change in reference voltage to the change in cathode voltage           | Figure 2        | $I_{\text{KA}} = 10 \text{ mA}$  | $\Delta V_{\text{KA}} = 10 \text{ V} - V_{\text{ref}}$ | -1.4 | -2.7          | mV/V |
|  |   |                 |  | $\Delta V_{\text{KA}} = 36 \text{ V} - 10 \text{ V}$   | -1   | -2            |      |
| $I_{\text{ref}}$                                     | Reference input current   | Figure 2        | $I_{\text{KA}} = 10 \text{ mA}, R_1 = 10 \text{ k}\Omega, R_2 = \infty$  |  |      | $\mu\text{A}$ |      |
| $I_{\text{I(dev)}}$                                  | Deviation of reference input current over full temperature range <sup>(1)</sup> | Figure 2        | $I_{\text{KA}} = 10 \text{ mA}, R_1 = 10 \text{ k}\Omega, R_2 = \infty,$<br>$T_A = 0^\circ\text{C to } 70^\circ\text{C}$ |  |      | $\mu\text{A}$ |      |
| $I_{\text{min}}$                                     | Minimum cathode current for regulation  | Figure 1        | $V_{\text{KA}} = V_{\text{ref}}$   |  |      | mA            |      |
| $I_{\text{off}}$                                     | Off-state cathode current   | Figure 3        | $V_{\text{KA}} = 36 \text{ V}, V_{\text{ref}} = 0$   |  |      | $\mu\text{A}$ |      |
| $ z_{\text{KA}} $                                    | Dynamic impedance <sup>(2)</sup>  | Figure 1        | $V_{\text{KA}} = V_{\text{ref}}, f \leq 1 \text{ kHz}, I_{\text{KA}} = 1 \text{ mA to } 100 \text{ mA}$                  |  |      | $\Omega$      |      |

- (1) The deviation parameters  $V_{\text{ref(dev)}}$  and  $I_{\text{ref(dev)}}$  are defined as the differences between the maximum and minimum values obtained over the rated temperature range. The average full-range temperature coefficient of the reference input voltage  $\alpha_{V_{\text{ref}}}$  is defined as:

$$\left| \alpha_{V_{\text{ref}}} \right| \left( \frac{\text{ppm}}{^\circ\text{C}} \right) = \frac{\left( \frac{V_{\text{I(dev)}}}{V_{\text{ref at } 25^\circ\text{C}}} \right) \times 10^6}{\Delta T_A}$$

where:

$\Delta T_A$  is the rated operating temperature range of the device.



$\alpha_{V_{\text{ref}}}$  is positive or negative, depending on whether minimum  $V_{\text{ref}}$  or maximum  $V_{\text{ref}}$ , respectively, occurs at the lower temperature.

- (2) The dynamic impedance is defined as:  $|z_{\text{KA}}| = \frac{\Delta V_{\text{KA}}}{\Delta I_{\text{KA}}}$

When the device is operating with two external resistors (see Figure 2), the total dynamic impedance of the circuit is given by:  $|z'| = \frac{\Delta V}{\Delta I}$   
which is approximately equal to  $|z_{\text{KA}}| \left( 1 + \frac{R_1}{R_2} \right)$ .

## ELECTRICAL CHARACTERISTICS

over recommended operating conditions,  $T_A = 25^\circ\text{C}$  (unless otherwise noted)

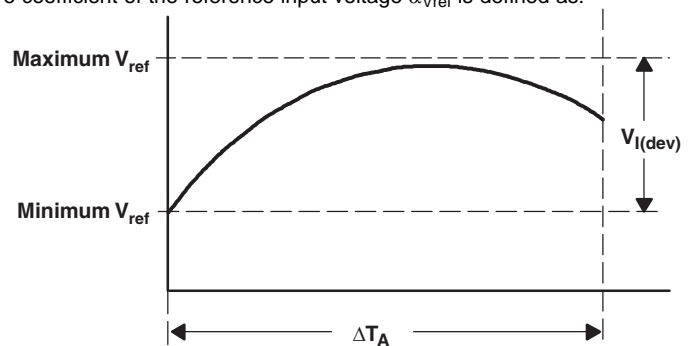
| PARAMETER  | TEST CIRCUIT  | TEST CONDITIONS | TL431AI, TL432AI  |  |      | UNIT          |      |
|--|---|-----------------|---|--|------|---------------|------|
|  |   |                 | MIN   | TYP  | MAX  |               |      |
| $V_{\text{ref}}$                                     | Reference voltage   | Figure 1        | $V_{\text{KA}} = V_{\text{ref}}, I_{\text{KA}} = 10 \text{ mA}$   |  |      | mV            |      |
| $V_{\text{I(dev)}}$                                  | Deviation of reference input voltage over full temperature range <sup>(1)</sup> | Figure 1        | $V_{\text{KA}} = V_{\text{ref}}, I_{\text{KA}} = 10 \text{ mA}, T_A = 0^\circ\text{C} \text{ to } 70^\circ\text{C}$         | SOT23-3 and TL432 devices                              | 14   | 34            | mV   |
|  |   |                 |   | All other devices                                      | 5    | 50            |      |
| $\frac{\Delta V_{\text{ref}}}{\Delta V_{\text{KA}}}$ | Ratio of change in reference voltage to the change in cathode voltage           | Figure 2        | $I_{\text{KA}} = 10 \text{ mA}$   | $\Delta V_{\text{KA}} = 10 \text{ V} - V_{\text{ref}}$ | -1.4 | -2.7          | mV/V |
|  |   |                 |   | $\Delta V_{\text{KA}} = 36 \text{ V} - 10 \text{ V}$   | -1   | -2            |      |
| $I_{\text{ref}}$                                     | Reference input current   | Figure 2        | $I_{\text{KA}} = 10 \text{ mA}, R_1 = 10 \text{ k}\Omega, R_2 = \infty$   |  |      | $\mu\text{A}$ |      |
| $I_{\text{I(dev)}}$                                  | Deviation of reference input current over full temperature range <sup>(1)</sup> | Figure 2        | $I_{\text{KA}} = 10 \text{ mA}, R_1 = 10 \text{ k}\Omega, R_2 = \infty, T_A = 0^\circ\text{C} \text{ to } 70^\circ\text{C}$ |  |      | $\mu\text{A}$ |      |
| $I_{\text{min}}$                                     | Minimum cathode current for regulation  | Figure 1        | $V_{\text{KA}} = V_{\text{ref}}$  |  |      | mA            |      |
| $I_{\text{off}}$                                     | Off-state cathode current   | Figure 3        | $V_{\text{KA}} = 36 \text{ V}, V_{\text{ref}} = 0$  |  |      | $\mu\text{A}$ |      |
| $ z_{\text{KA}} $                                    | Dynamic impedance <sup>(2)</sup>  | Figure 1        | $V_{\text{KA}} = V_{\text{ref}}, f \leq 1 \text{ kHz}, I_{\text{KA}} = 1 \text{ mA} \text{ to } 100 \text{ mA}$             |  |      | $\Omega$      |      |

- (1) The deviation parameters  $V_{\text{ref(dev)}}$  and  $I_{\text{ref(dev)}}$  are defined as the differences between the maximum and minimum values obtained over the rated temperature range. The average full-range temperature coefficient of the reference input voltage  $\alpha_{V_{\text{ref}}}$  is defined as:

$$\left| \alpha_{V_{\text{ref}}} \right| \left( \frac{\text{ppm}}{^\circ\text{C}} \right) = \frac{\left( \frac{V_{\text{I(dev)}}}{V_{\text{ref at } 25^\circ\text{C}}} \right) \times 10^6}{T_A}$$

where:

$\Delta T_A$  is the rated operating temperature range of the device.



$\alpha_{V_{\text{ref}}}$  is positive or negative, depending on whether minimum  $V_{\text{ref}}$  or maximum  $V_{\text{ref}}$ , respectively, occurs at the lower temperature.

- (2) The dynamic impedance is defined as:  $|z_{\text{KA}}| = \frac{\Delta V_{\text{KA}}}{\Delta I_{\text{KA}}}$

When the device is operating with two external resistors (see Figure 2), the total dynamic impedance of the circuit is given by:  $|z'| = \frac{\Delta V}{\Delta I}$  which is approximately equal to  $|z_{\text{KA}}| \left( 1 + \frac{R_1}{R_2} \right)$ .

## ELECTRICAL CHARACTERISTICS

over recommended operating conditions,  $T_A = 25^\circ\text{C}$  (unless otherwise noted)

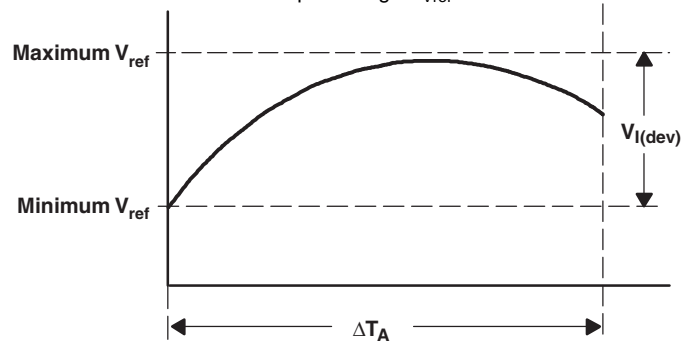
| PARAMETER  | TEST CIRCUIT  | TEST CONDITIONS | TL431AQ, TL432AQ  |  |      | UNIT          |      |
|--|---|-----------------|---|--|------|---------------|------|
|  |   |                 | MIN   | TYP  | MAX  |               |      |
| $V_{\text{ref}}$                                     | Reference voltage   | Figure 1        | $V_{\text{KA}} = V_{\text{ref}}, I_{\text{KA}} = 10 \text{ mA}$   |  |      | mV            |      |
| $V_{\text{I(dev)}}$                                  | Deviation of reference input voltage over full temperature range <sup>(1)</sup> | Figure 1        | $V_{\text{KA}} = V_{\text{ref}}, I_{\text{KA}} = 10 \text{ mA}, T_A = 0^\circ\text{C to } 70^\circ\text{C}$         |  |      | mV            |      |
| $\frac{\Delta V_{\text{ref}}}{\Delta V_{\text{KA}}}$ | Ratio of change in reference voltage to the change in cathode voltage           | Figure 2        | $I_{\text{KA}} = 10 \text{ mA}$   | $\Delta V_{\text{KA}} = 10 \text{ V} - V_{\text{ref}}$ | -1.4 | -2.7          | mV/V |
|  |   |                 |   | $\Delta V_{\text{KA}} = 36 \text{ V} - 10 \text{ V}$   | -1   | -2            |      |
| $I_{\text{ref}}$                                     | Reference input current   | Figure 2        | $I_{\text{KA}} = 10 \text{ mA}, R_1 = 10 \text{ k}\Omega, R_2 = \infty$   |  |      | $\mu\text{A}$ |      |
| $I_{\text{I(dev)}}$                                  | Deviation of reference input current over full temperature range <sup>(1)</sup> | Figure 2        | $I_{\text{KA}} = 10 \text{ mA}, R_1 = 10 \text{ k}\Omega, R_2 = \infty, T_A = 0^\circ\text{C to } 70^\circ\text{C}$ |  |      | $\mu\text{A}$ |      |
| $I_{\text{min}}$                                     | Minimum cathode current for regulation  | Figure 1        | $V_{\text{KA}} = V_{\text{ref}}$  |  |      | mA            |      |
| $I_{\text{off}}$                                     | Off-state cathode current   | Figure 3        | $V_{\text{KA}} = 36 \text{ V}, V_{\text{ref}} = 0$  |  |      | $\mu\text{A}$ |      |
| $ z_{\text{KA}} $                                    | Dynamic impedance <sup>(2)</sup>  | Figure 1        | $V_{\text{KA}} = V_{\text{ref}}, f \leq 1 \text{ kHz}, I_{\text{KA}} = 1 \text{ mA to } 100 \text{ mA}$             |  |      | $\Omega$      |      |

- (1) The deviation parameters  $V_{\text{ref(dev)}}$  and  $I_{\text{ref(dev)}}$  are defined as the differences between the maximum and minimum values obtained over the rated temperature range. The average full-range temperature coefficient of the reference input voltage  $\alpha_{V_{\text{ref}}}$  is defined as:

$$\left| \alpha_{V_{\text{ref}}} \right| \left( \frac{\text{ppm}}{^\circ\text{C}} \right) = \frac{\left( \frac{V_{\text{I(dev)}}}{V_{\text{ref at } 25^\circ\text{C}}} \right) \times 10^6}{T_A}$$

where:

$\Delta T_A$  is the rated operating temperature range of the device.



$\alpha_{V_{\text{ref}}}$  is positive or negative, depending on whether minimum  $V_{\text{ref}}$  or maximum  $V_{\text{ref}}$ , respectively, occurs at the lower temperature.

- (2) The dynamic impedance is defined as:  $|z_{\text{KA}}| = \frac{\Delta V_{\text{KA}}}{\Delta I_{\text{KA}}}$

When the device is operating with two external resistors (see Figure 2), the total dynamic impedance of the circuit is given by:  $|z'| = \frac{\Delta V}{\Delta I}$  which is approximately equal to  $|z_{\text{KA}}| \left( 1 + \frac{R_1}{R_2} \right)$ .



## ELECTRICAL CHARACTERISTICS

over recommended operating conditions,  $T_A = 25^\circ\text{C}$  (unless otherwise noted)

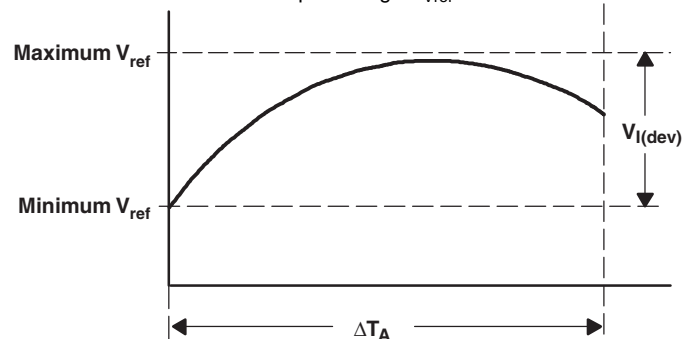
| PARAMETER  | TEST CIRCUIT  | TEST CONDITIONS | TL431BC, TL432BC  |  |      | UNIT          |      |
|--|---|-----------------|---|--|------|---------------|------|
|  |   |                 | MIN   | TYP  | MAX  |               |      |
| $V_{\text{ref}}$                                     | Reference voltage   | Figure 1        | $V_{\text{KA}} = V_{\text{ref}}, I_{\text{KA}} = 10 \text{ mA}$   |  |      | mV            |      |
| $V_{\text{I(dev)}}$                                  | Deviation of reference input voltage over full temperature range <sup>(1)</sup> | Figure 1        | $V_{\text{KA}} = V_{\text{ref}}, I_{\text{KA}} = 10 \text{ mA}, T_A = 0^\circ\text{C to } 70^\circ\text{C}$         |  |      | mV            |      |
| $\frac{\Delta V_{\text{ref}}}{\Delta V_{\text{KA}}}$ | Ratio of change in reference voltage to the change in cathode voltage           | Figure 2        | $I_{\text{KA}} = 10 \text{ mA}$   | $\Delta V_{\text{KA}} = 10 \text{ V} - V_{\text{ref}}$ | -1.4 | -2.7          | mV/V |
|  |   |                 |   | $\Delta V_{\text{KA}} = 36 \text{ V} - 10 \text{ V}$   | -1   | -2            |      |
| $I_{\text{ref}}$                                     | Reference input current   | Figure 2        | $I_{\text{KA}} = 10 \text{ mA}, R_1 = 10 \text{ k}\Omega, R_2 = \infty$   |  |      | $\mu\text{A}$ |      |
| $I_{\text{I(dev)}}$                                  | Deviation of reference input current over full temperature range <sup>(1)</sup> | Figure 2        | $I_{\text{KA}} = 10 \text{ mA}, R_1 = 10 \text{ k}\Omega, R_2 = \infty, T_A = 0^\circ\text{C to } 70^\circ\text{C}$ |  |      | $\mu\text{A}$ |      |
| $I_{\text{min}}$                                     | Minimum cathode current for regulation  | Figure 1        | $V_{\text{KA}} = V_{\text{ref}}$  |  |      | mA            |      |
| $I_{\text{off}}$                                     | Off-state cathode current   | Figure 3        | $V_{\text{KA}} = 36 \text{ V}, V_{\text{ref}} = 0$  |  |      | $\mu\text{A}$ |      |
| $ z_{\text{KA}} $                                    | Dynamic impedance <sup>(2)</sup>  | Figure 1        | $V_{\text{KA}} = V_{\text{ref}}, f \leq 1 \text{ kHz}, I_{\text{KA}} = 1 \text{ mA to } 100 \text{ mA}$             |  |      | $\Omega$      |      |

- (1) The deviation parameters  $V_{\text{ref(dev)}}$  and  $I_{\text{ref(dev)}}$  are defined as the differences between the maximum and minimum values obtained over the rated temperature range. The average full-range temperature coefficient of the reference input voltage  $\alpha_{V_{\text{ref}}}$  is defined as:

$$\left| \alpha_{V_{\text{ref}}} \right| \left( \frac{\text{ppm}}{^\circ\text{C}} \right) = \frac{\left( \frac{V_{\text{I(dev)}}}{V_{\text{ref at } 25^\circ\text{C}}} \right) \times 10^6}{T_A}$$

where:

$\Delta T_A$  is the rated operating temperature range of the device.



$\alpha_{V_{\text{ref}}}$  is positive or negative, depending on whether minimum  $V_{\text{ref}}$  or maximum  $V_{\text{ref}}$ , respectively, occurs at the lower temperature.

- (2) The dynamic impedance is defined as:  $|z_{\text{KA}}| = \frac{\Delta V_{\text{KA}}}{\Delta I_{\text{KA}}}$

When the device is operating with two external resistors (see Figure 2), the total dynamic impedance of the circuit is given by:  $|z'| = \frac{\Delta V}{\Delta I}$  which is approximately equal to  $|z_{\text{KA}}| \left( 1 + \frac{R_1}{R_2} \right)$ .

## ELECTRICAL CHARACTERISTICS

over recommended operating conditions,  $T_A = 25^\circ\text{C}$  (unless otherwise noted)

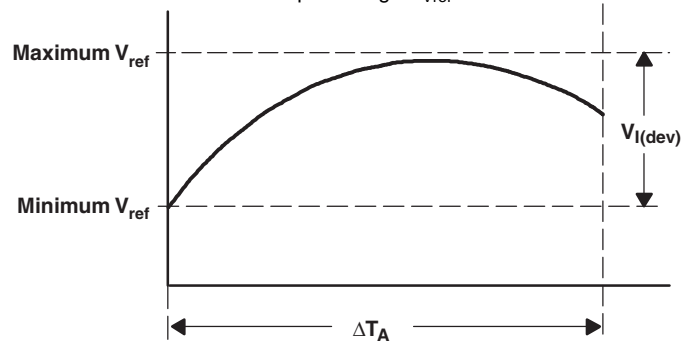
| PARAMETER  | TEST CIRCUIT  | TEST CONDITIONS | TL431BI, TL432BI  |  |      | UNIT          |      |
|--|---|-----------------|---|--|------|---------------|------|
|  |   |                 | MIN   | TYP  | MAX  |               |      |
| $V_{\text{ref}}$                                     | Reference voltage   | Figure 1        | $V_{\text{KA}} = V_{\text{ref}}, I_{\text{KA}} = 10 \text{ mA}$   |  |      | mV            |      |
| $V_{\text{I(dev)}}$                                  | Deviation of reference input voltage over full temperature range <sup>(1)</sup> | Figure 1        | $V_{\text{KA}} = V_{\text{ref}}, I_{\text{KA}} = 10 \text{ mA}, T_A = 0^\circ\text{C to } 70^\circ\text{C}$         |  |      | mV            |      |
| $\frac{\Delta V_{\text{ref}}}{\Delta V_{\text{KA}}}$ | Ratio of change in reference voltage to the change in cathode voltage           | Figure 2        | $I_{\text{KA}} = 10 \text{ mA}$   | $\Delta V_{\text{KA}} = 10 \text{ V} - V_{\text{ref}}$ | -1.4 | -2.7          | mV/V |
|  |   |                 |   | $\Delta V_{\text{KA}} = 36 \text{ V} - 10 \text{ V}$   | -1   | -2            |      |
| $I_{\text{ref}}$                                     | Reference input current   | Figure 2        | $I_{\text{KA}} = 10 \text{ mA}, R_1 = 10 \text{ k}\Omega, R_2 = \infty$   |  |      | $\mu\text{A}$ |      |
| $I_{\text{I(dev)}}$                                  | Deviation of reference input current over full temperature range <sup>(1)</sup> | Figure 2        | $I_{\text{KA}} = 10 \text{ mA}, R_1 = 10 \text{ k}\Omega, R_2 = \infty, T_A = 0^\circ\text{C to } 70^\circ\text{C}$ |  |      | $\mu\text{A}$ |      |
| $I_{\text{min}}$                                     | Minimum cathode current for regulation  | Figure 1        | $V_{\text{KA}} = V_{\text{ref}}$  |  |      | mA            |      |
| $I_{\text{off}}$                                     | Off-state cathode current   | Figure 3        | $V_{\text{KA}} = 36 \text{ V}, V_{\text{ref}} = 0$  |  |      | $\mu\text{A}$ |      |
| $ z_{\text{KA}} $                                    | Dynamic impedance <sup>(2)</sup>  | Figure 1        | $V_{\text{KA}} = V_{\text{ref}}, f \leq 1 \text{ kHz}, I_{\text{KA}} = 1 \text{ mA to } 100 \text{ mA}$             |  |      | $\Omega$      |      |

- (1) The deviation parameters  $V_{\text{ref(dev)}}$  and  $I_{\text{ref(dev)}}$  are defined as the differences between the maximum and minimum values obtained over the rated temperature range. The average full-range temperature coefficient of the reference input voltage  $\alpha_{V_{\text{ref}}}$  is defined as:

$$\left| \alpha_{V_{\text{ref}}} \right| \left( \frac{\text{ppm}}{^\circ\text{C}} \right) = \frac{\left( \frac{V_{\text{I(dev)}}}{V_{\text{ref at } 25^\circ\text{C}}} \right) \times 10^6}{T_A}$$

where:

$\Delta T_A$  is the rated operating temperature range of the device.



$\alpha_{V_{\text{ref}}}$  is positive or negative, depending on whether minimum  $V_{\text{ref}}$  or maximum  $V_{\text{ref}}$ , respectively, occurs at the lower temperature.

- (2) The dynamic impedance is defined as:  $|z_{\text{KA}}| = \frac{\Delta V_{\text{KA}}}{\Delta I_{\text{KA}}}$

When the device is operating with two external resistors (see Figure 2), the total dynamic impedance of the circuit is given by:  $|z'| = \frac{\Delta V}{\Delta I}$  which is approximately equal to  $|z_{\text{KA}}| \left( 1 + \frac{R_1}{R_2} \right)$ .

## ELECTRICAL CHARACTERISTICS

over recommended operating conditions,  $T_A = 25^\circ\text{C}$  (unless otherwise noted)

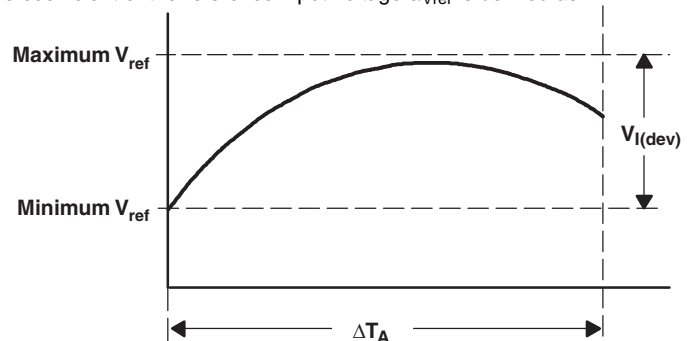
| PARAMETER  | TEST CIRCUIT  | TEST CONDITIONS | TL431BQ, TL432BQ  |  |      | UNIT          |      |
|--|---|-----------------|---|--|------|---------------|------|
|  |   |                 | MIN   | TYP  | MAX  |               |      |
| $V_{\text{ref}}$                                     | Reference voltage   | Figure 1        | $V_{\text{KA}} = V_{\text{ref}}, I_{\text{KA}} = 10 \text{ mA}$   |  |      | mV            |      |
| $V_{\text{I(dev)}}$                                  | Deviation of reference input voltage over full temperature range <sup>(1)</sup> | Figure 1        | $V_{\text{KA}} = V_{\text{ref}}, I_{\text{KA}} = 10 \text{ mA}, T_A = 0^\circ\text{C} \text{ to } 70^\circ\text{C}$         |  |      | mV            |      |
| $\frac{\Delta V_{\text{ref}}}{\Delta V_{\text{KA}}}$ | Ratio of change in reference voltage to the change in cathode voltage           | Figure 2        | $I_{\text{KA}} = 10 \text{ mA}$   | $\Delta V_{\text{KA}} = 10 \text{ V} - V_{\text{ref}}$ | -1.4 | -2.7          | mV/V |
|  |   |                 |   | $\Delta V_{\text{KA}} = 36 \text{ V} - 10 \text{ V}$   | -1   | -2            |      |
| $I_{\text{ref}}$                                     | Reference input current   | Figure 2        | $I_{\text{KA}} = 10 \text{ mA}, R_1 = 10 \text{ k}\Omega, R_2 = \infty$   |  |      | $\mu\text{A}$ |      |
| $I_{\text{I(dev)}}$                                  | Deviation of reference input current over full temperature range <sup>(1)</sup> | Figure 2        | $I_{\text{KA}} = 10 \text{ mA}, R_1 = 10 \text{ k}\Omega, R_2 = \infty, T_A = 0^\circ\text{C} \text{ to } 70^\circ\text{C}$ |  |      | $\mu\text{A}$ |      |
| $I_{\text{min}}$                                     | Minimum cathode current for regulation  | Figure 1        | $V_{\text{KA}} = V_{\text{ref}}$  |  |      | mA            |      |
| $I_{\text{off}}$                                     | Off-state cathode current   | Figure 3        | $V_{\text{KA}} = 36 \text{ V}, V_{\text{ref}} = 0$  |  |      | $\mu\text{A}$ |      |
| $ z_{\text{KA}} $                                    | Dynamic impedance <sup>(2)</sup>  | Figure 1        | $V_{\text{KA}} = V_{\text{ref}}, f \leq 1 \text{ kHz}, I_{\text{KA}} = 1 \text{ mA} \text{ to } 100 \text{ mA}$             |  |      | $\Omega$      |      |

- (1) The deviation parameters  $V_{\text{ref(dev)}}$  and  $I_{\text{ref(dev)}}$  are defined as the differences between the maximum and minimum values obtained over the rated temperature range. The average full-range temperature coefficient of the reference input voltage  $\alpha_{V_{\text{ref}}}$  is defined as:

$$\left| \alpha_{V_{\text{ref}}} \right| \left( \frac{\text{ppm}}{^\circ\text{C}} \right) = \frac{\left( \frac{V_{\text{I(dev)}}}{V_{\text{ref at } 25^\circ\text{C}}} \right) \times 10^6}{T_A}$$

where:

$\Delta T_A$  is the rated operating temperature range of the device.

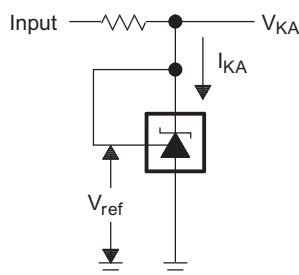


$\alpha_{V_{\text{ref}}}$  is positive or negative, depending on whether minimum  $V_{\text{ref}}$  or maximum  $V_{\text{ref}}$ , respectively, occurs at the lower temperature.

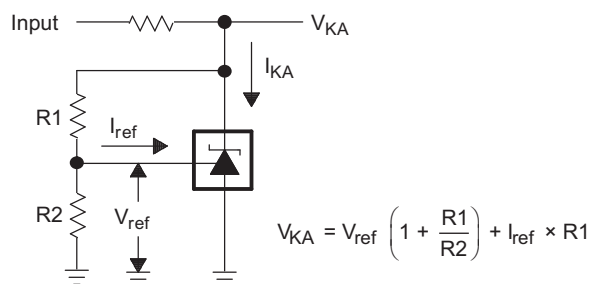
- (2) The dynamic impedance is defined as:  $|z_{\text{KA}}| = \frac{\Delta V_{\text{KA}}}{\Delta I_{\text{KA}}}$

When the device is operating with two external resistors (see Figure 2), the total dynamic impedance of the circuit is given by:  $|z'| = \frac{\Delta V}{\Delta I}$  which is approximately equal to  $|z_{\text{KA}}| \left( 1 + \frac{R_1}{R_2} \right)$ .

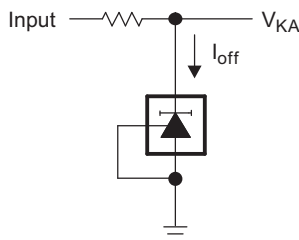
## PARAMETER MEASUREMENT INFORMATION



**Figure 1. Test Circuit for  $V_{KA} = V_{ref}$**



**Figure 2. Test Circuit for  $V_{KA} > V_{ref}$**



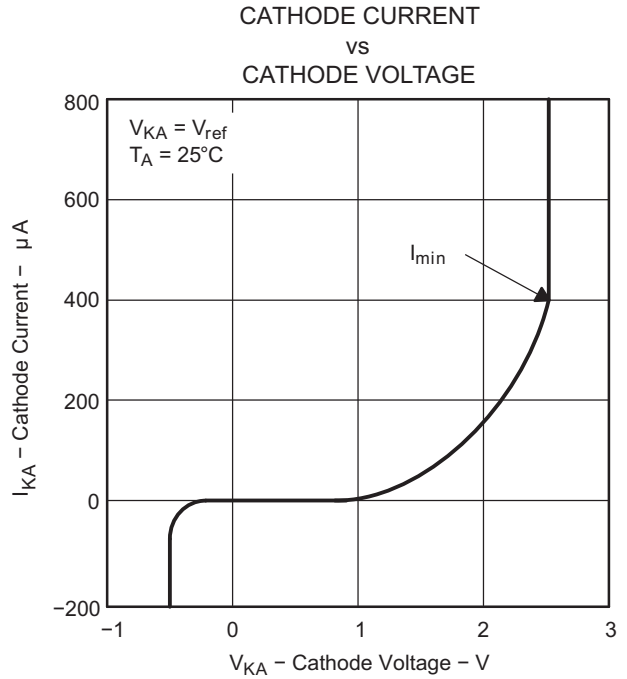
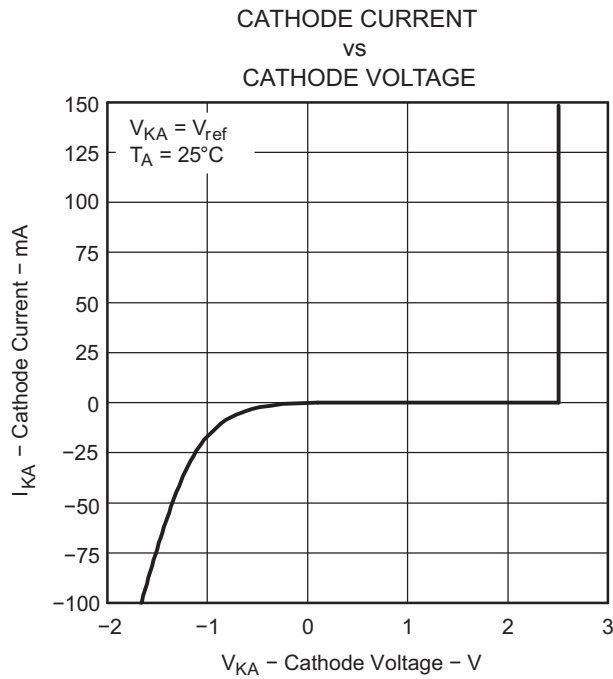
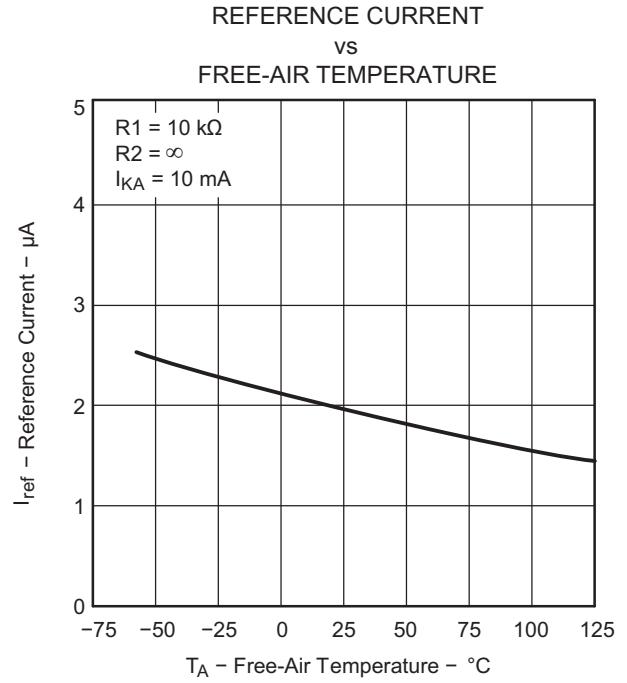
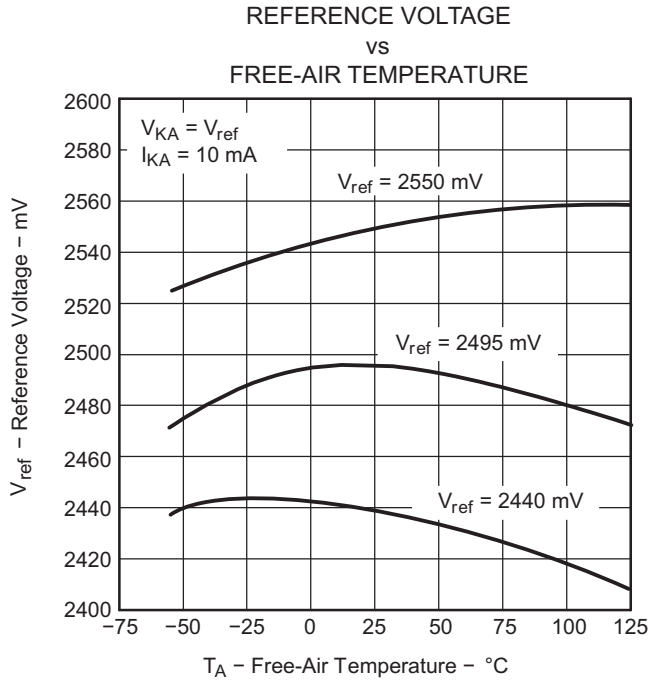
**Figure 3. Test Circuit for  $I_{off}$**

## TYPICAL CHARACTERISTICS

Data at high and low temperatures are applicable only within the recommended operating free-air temperature ranges of the various devices.

**Table 1. Table of Graphs**

| GRAPH   | FIGURE                               |
|---|--------------------------------------|
| Reference voltage vs Free-air temperature   | <a href="#">Figure 4</a>             |
| Reference current vs Free-air temperature   | <a href="#">Figure 5</a>             |
| Cathode current vs Cathode voltage  | <a href="#">Figure 6</a>             |
| Off-state cathode current vs Free-air temperature                                 | <a href="#">Figure 7, Figure 8</a>   |
| Ratio of delta reference voltage to delta cathode voltage vs Free-air temperature | <a href="#">Figure 9</a>             |
| Equivalent input-noise voltage vs Frequency                                       | <a href="#">Figure 10</a>            |
| Equivalent input-noise voltage over a 10-second period                            | <a href="#">Figure 11</a>            |
| Small-signal voltage amplification vs Frequency                                   | <a href="#">Figure 12</a>            |
| Reference impedance vs Frequency  | <a href="#">Figure 13</a>            |
| Pulse response  | <a href="#">Figure 14</a>            |
| Stability boundary conditions   | <a href="#">Figure 15, Figure 16</a> |



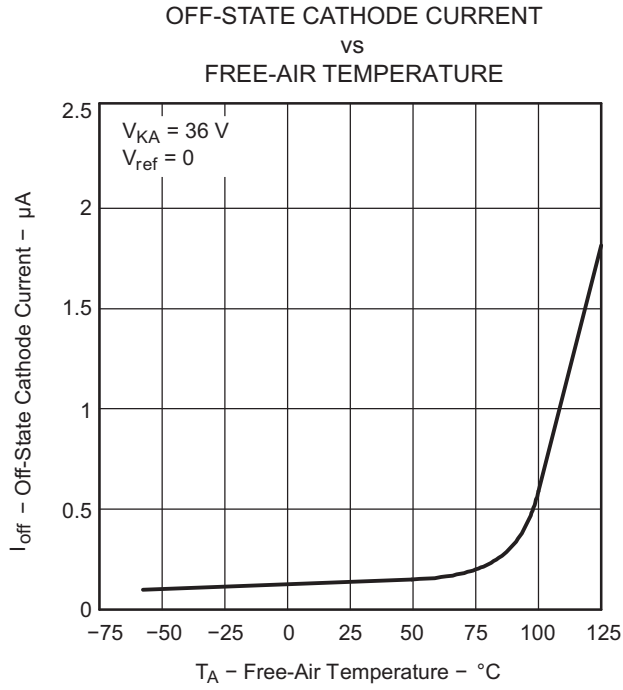


Figure 8.

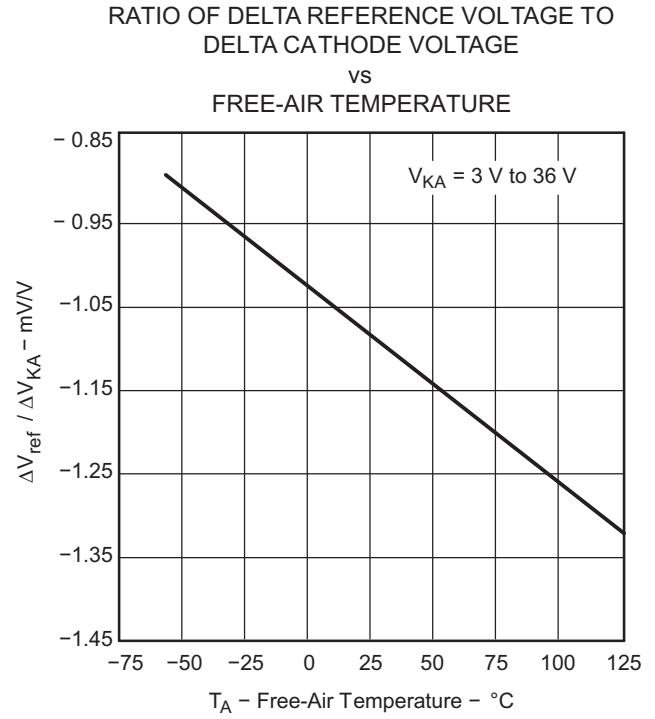


Figure 9.

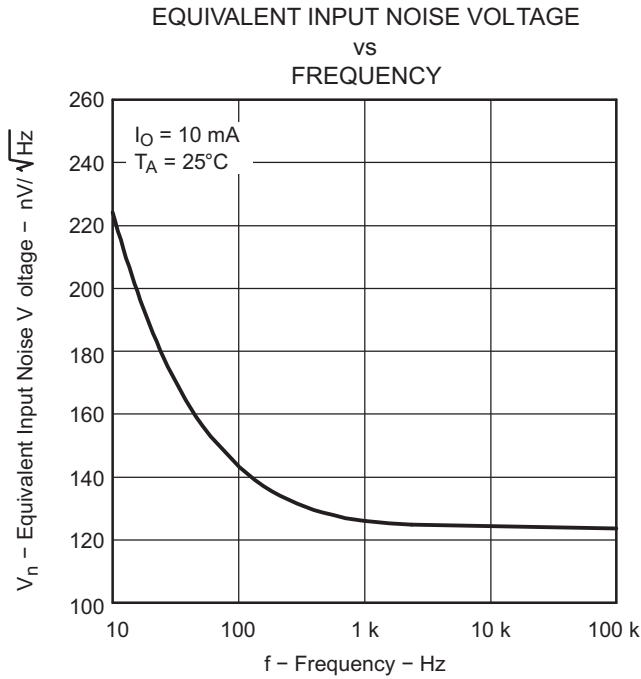


Figure 10.

EQUIVALENT INPUT NOISE VOLTAGE  
 OVER A 10-S PERIOD

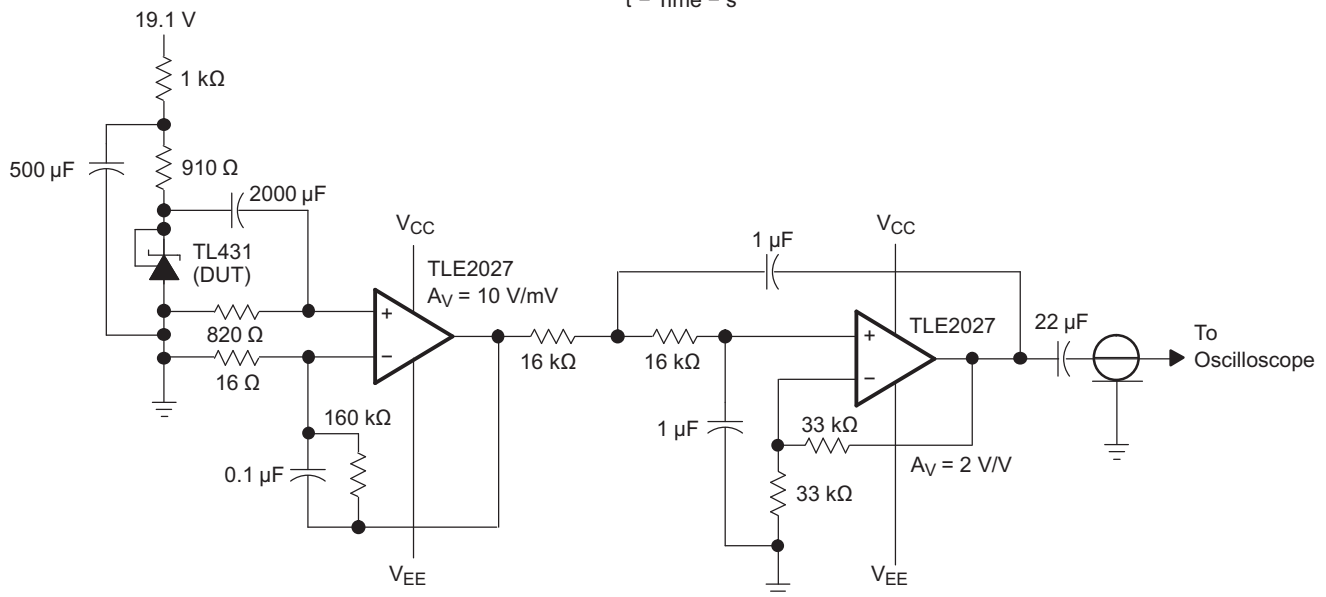
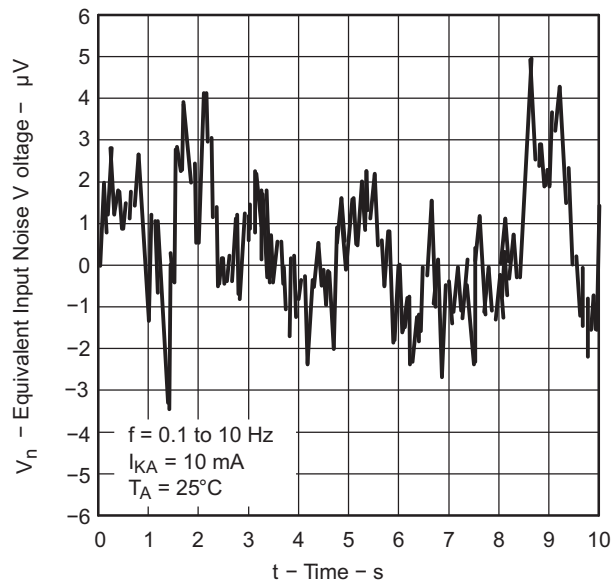


Figure 11.



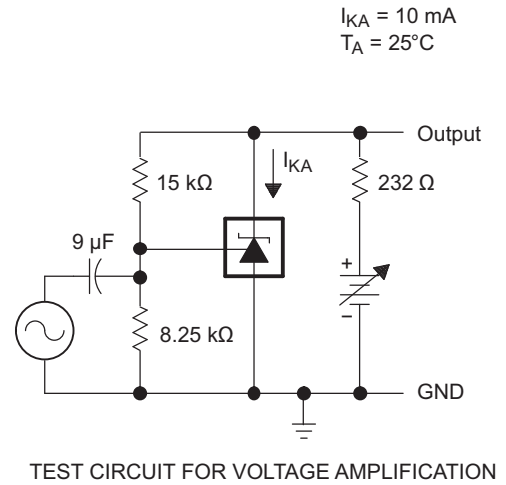
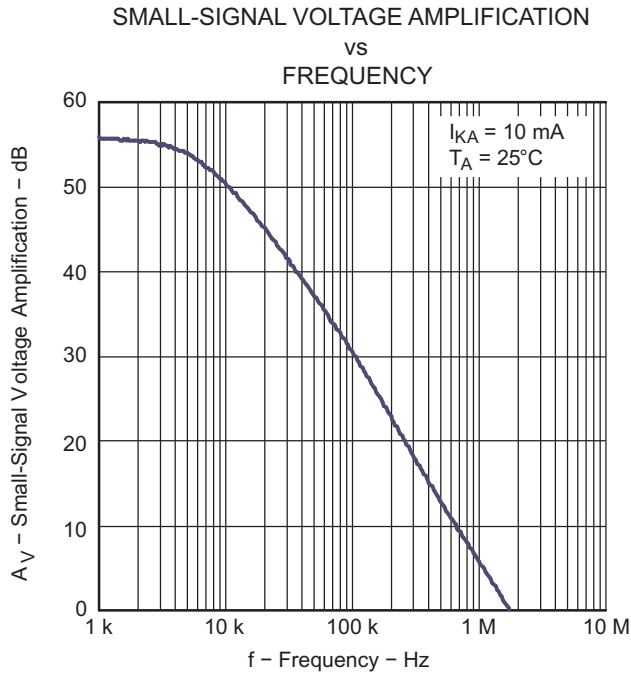


Figure 12.

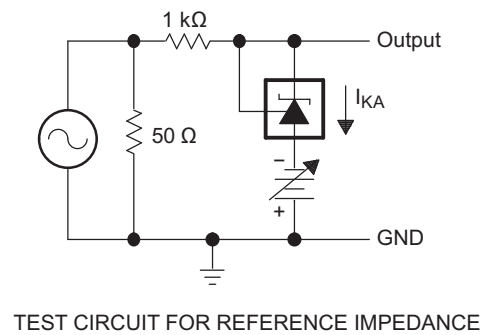
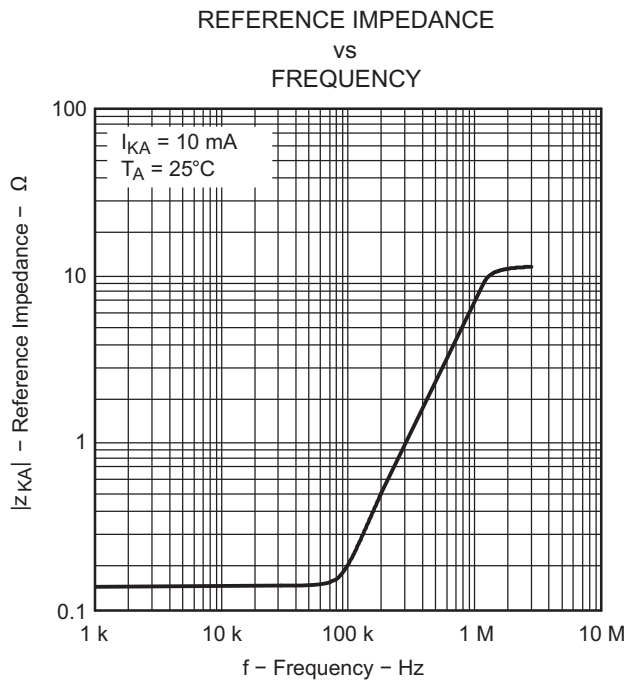


Figure 13.

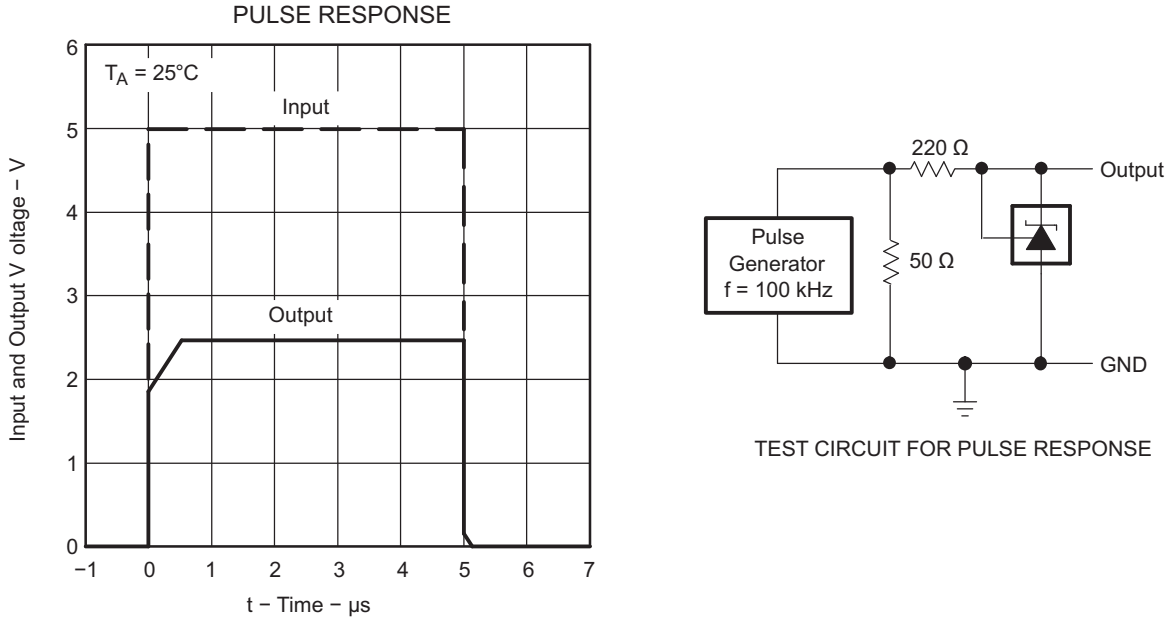
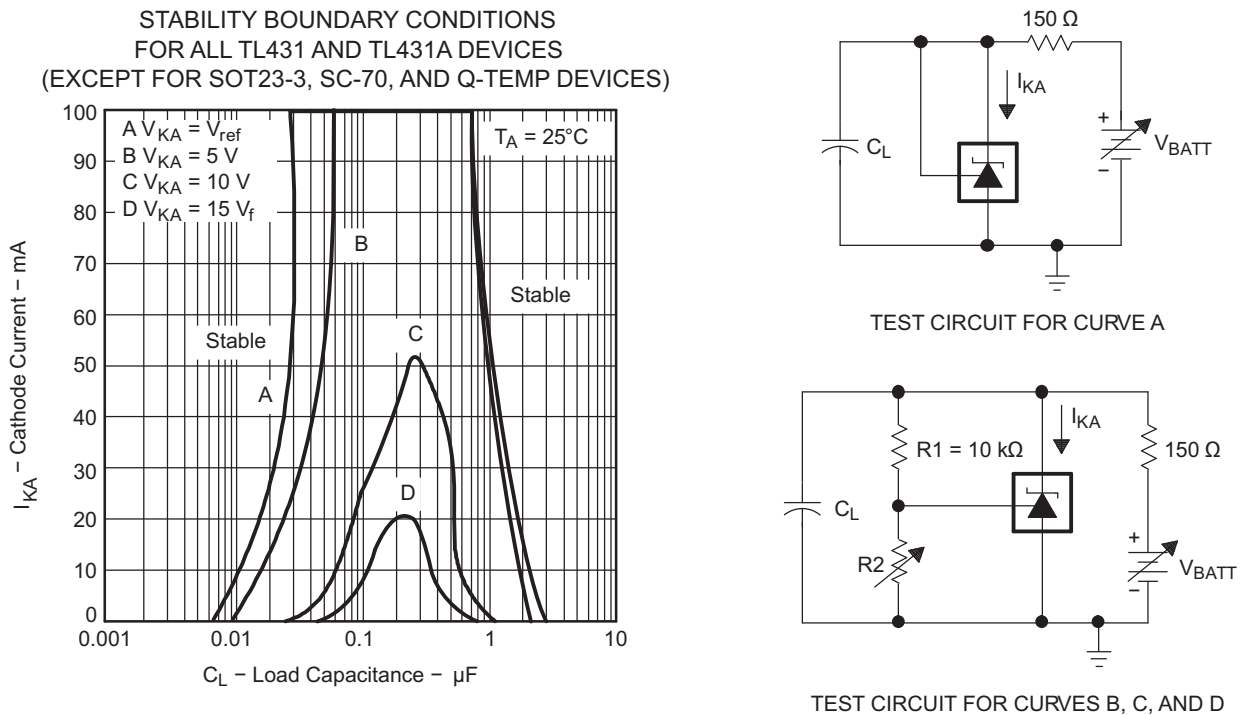


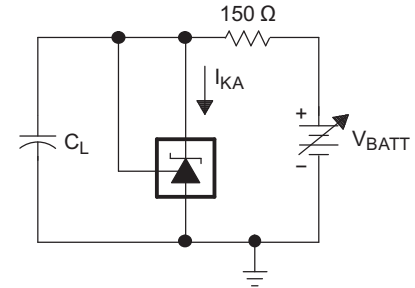
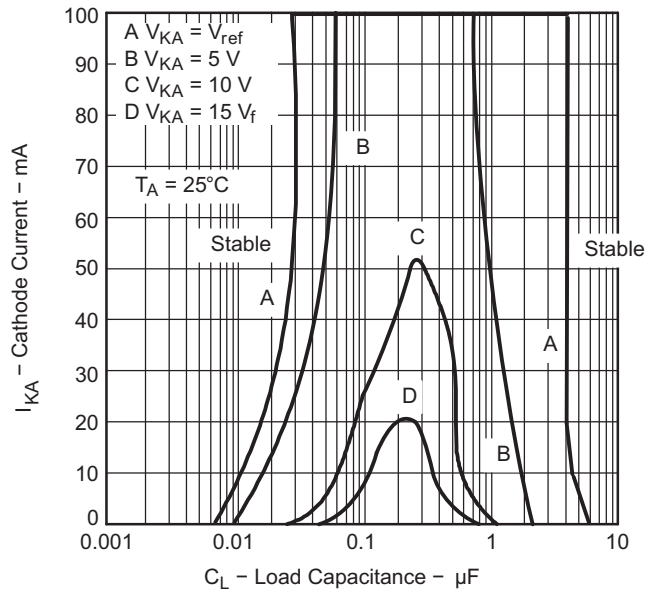
Figure 14.



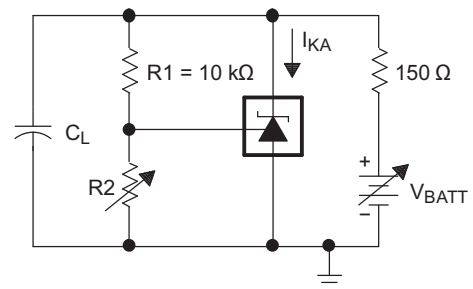
A. The areas under the curves represent conditions that may cause the device to oscillate. For curves B, C, and D, R2 and V+ are adjusted to establish the initial V<sub>KA</sub> and I<sub>KA</sub> conditions, with C<sub>L</sub> = 0. V<sub>BATT</sub> and C<sub>L</sub> then are adjusted to determine the ranges of stability.

Figure 15.

STABILITY BOUNDARY CONDITIONS  
FOR ALL TL431B, TL432, SOT-23, SC-70, AND Q-TEMP DEVICES



TEST CIRCUIT FOR CURVE A



TEST CIRCUIT FOR CURVES B, C, AND D

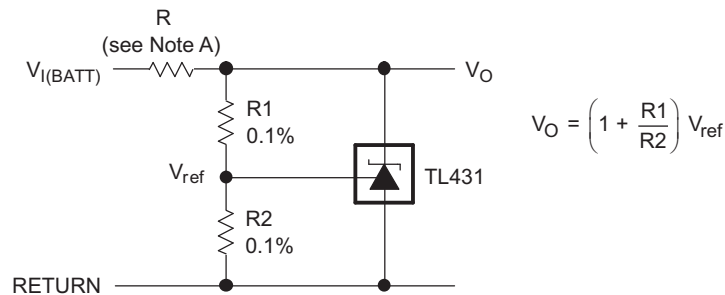
A. The areas under the curves represent conditions that may cause the device to oscillate. For curves B, C, and D,  $R2$  and  $V_+$  are adjusted to establish the initial  $V_{KA}$  and  $I_{KA}$  conditions, with  $C_L = 0$ .  $V_{BATT}$  and  $C_L$  then are adjusted to determine the ranges of stability.

Figure 16.

**APPLICATION INFORMATION**

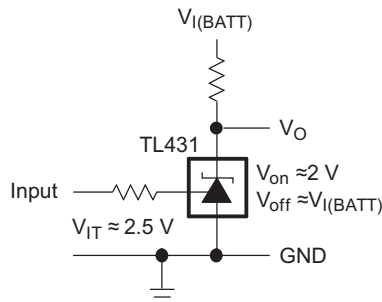
**Table 2. Table of Application Circuits**

| APPLICATION   | FIGURE    |
|---|-----------|
| Shunt regulator   | Figure 17 |
| Single-supply comparator with temperature-compensated threshold | Figure 18 |
| Precision high-current series regulator                         | Figure 19 |
| Output control of a three-terminal fixed regulator              | Figure 20 |
| High-current shunt regulator                                    | Figure 21 |
| Crowbar Circuit   | Figure 22 |
| Precision 5-V, 1.5-A regulator                                  | Figure 23 |
| Efficient 5-V precision regulator                               | Figure 24 |
| PWM converter with reference                                    | Figure 25 |
| Voltage monitor   | Figure 26 |
| Delay timer   | Figure 27 |
| Precision current limiter                                       | Figure 28 |
| Precision constant-current sink                                 | Figure 29 |

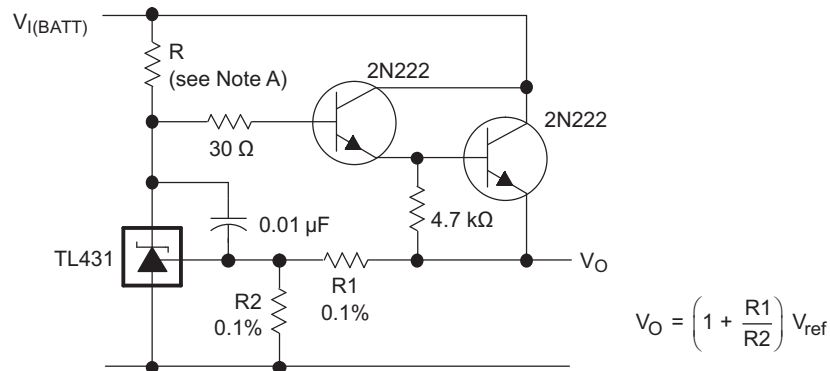


A. R should provide cathode current  $\geq 1$  mA to the TL431 at minimum  $V_{(BATT)}$ .

**Figure 17. Shunt Regulator**

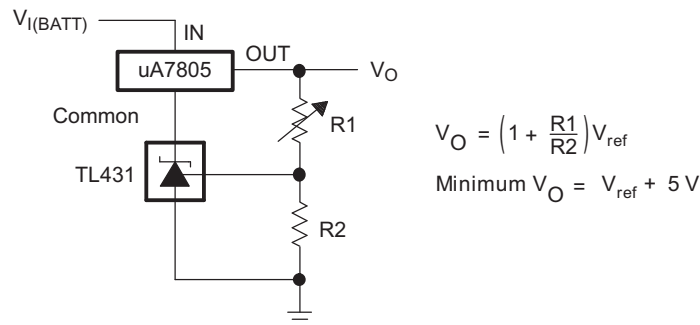


**Figure 18. Single-Supply Comparator With Temperature-Compensated Threshold**

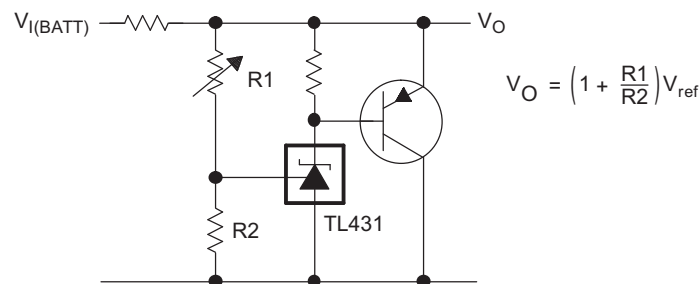


A. R should provide cathode current  $\geq 1$  mA to the TL431 at minimum  $V_{(BATT)}$ .

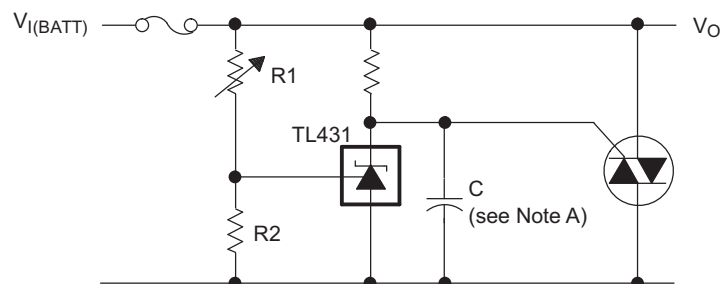
**Figure 19. Precision High-Current Series Regulator**



**Figure 20. Output Control of a Three-Terminal Fixed Regulator**



**Figure 21. High-Current Shunt Regulator**



A. Refer to the stability boundary conditions in [Figure 15](#) and [Figure 16](#) to determine allowable values for C.

**Figure 22. Crowbar Circuit**

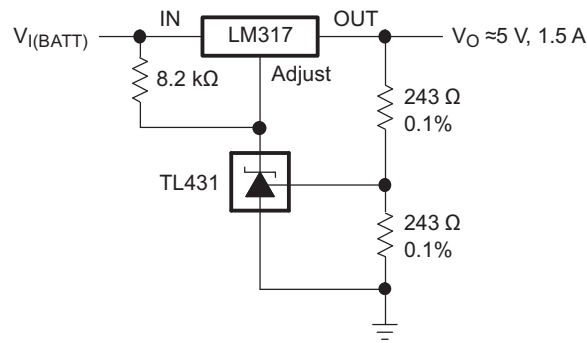
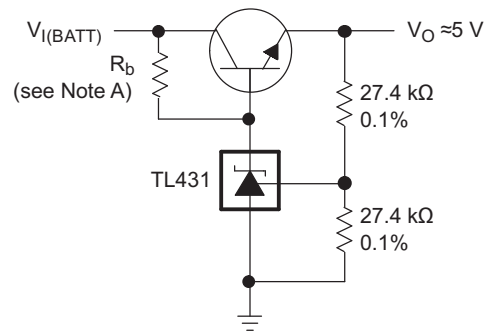


Figure 23. Precision 5-V, 1.5-A Regulator



A.  $R_b$  should provide cathode current  $\geq 1$  mA to the TL431.

Figure 24. Efficient 5-V Precision Regulator

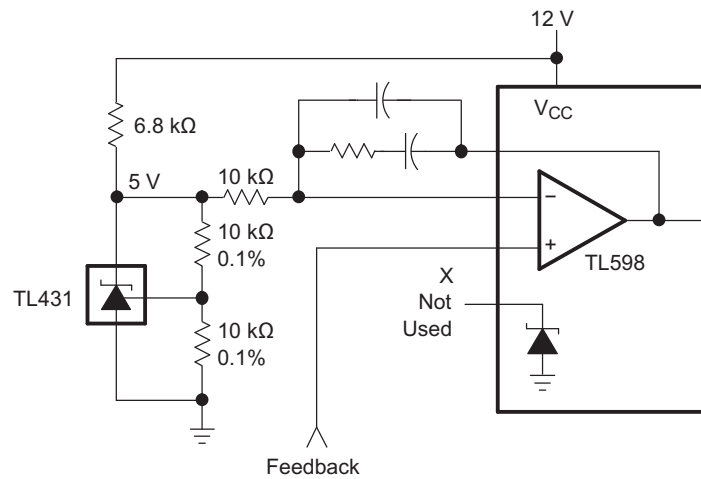
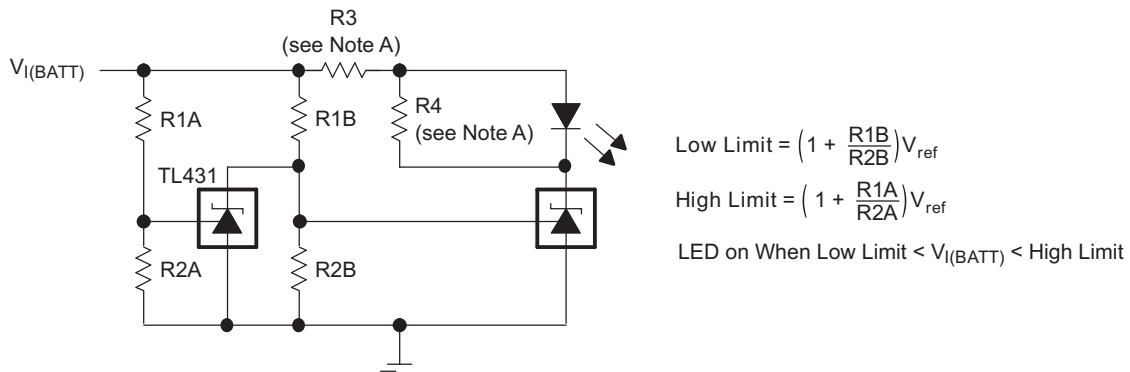


Figure 25. PWM Converter With Reference



- A. Select R3 and R4 to provide the desired LED intensity and cathode current  $\geq 1$  mA to the TL431 at the available  $V_{I(BATT)}$ .

Figure 26. Voltage Monitor

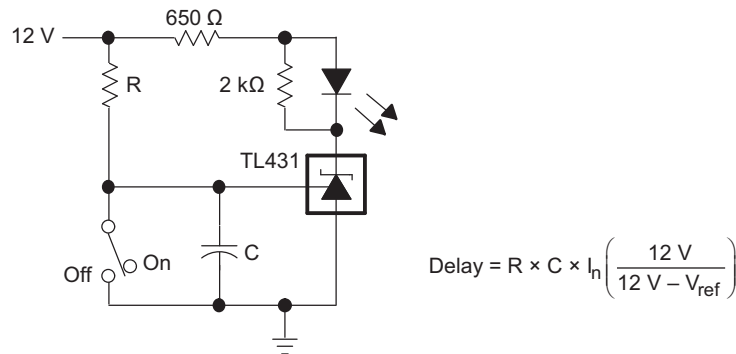


Figure 27. Delay Timer

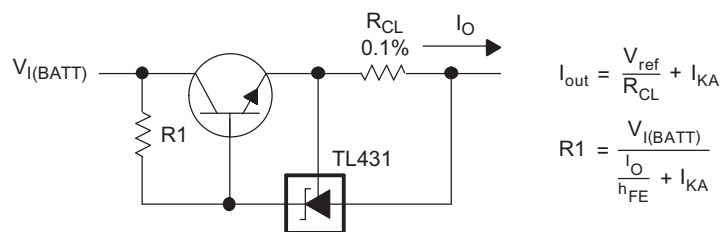


Figure 28. Precision Current Limiter

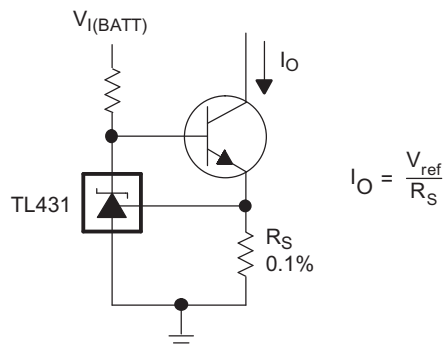


Figure 29. Precision Constant-Current Sink

**PACKAGING INFORMATION**

| Orderable Device | Status <sup>(1)</sup> | Package Type | Package Drawing | Pins | Package Qty | Eco Plan <sup>(2)</sup>    | Lead/<br>Ball Finish | MSL Peak Temp <sup>(3)</sup> | Samples<br>(Requires Login)               |
|------------------|-----------------------|--------------|-----------------|------|-------------|----------------------------|----------------------|------------------------------|---|
| TL431ACD         | ACTIVE                | SOIC         | D               | 8    | 75          | Green (RoHS<br>& no Sb/Br) | CU NIPDAU            | Level-1-260C-UNLIM           | <a href="#">Purchase Samples</a>          |
| TL431ACDBVR      | ACTIVE                | SOT-23       | DBV             | 5    | 3000        | Green (RoHS<br>& no Sb/Br) | CU NIPDAU            | Level-1-260C-UNLIM           | Contact TI Distributor<br>or Sales Office |
| TL431ACDBVRE4    | ACTIVE                | SOT-23       | DBV             | 5    | 3000        | Green (RoHS<br>& no Sb/Br) | CU NIPDAU            | Level-1-260C-UNLIM           | <a href="#">Purchase Samples</a>          |
| TL431ACDBVRG4    | ACTIVE                | SOT-23       | DBV             | 5    | 3000        | Green (RoHS<br>& no Sb/Br) | CU NIPDAU            | Level-1-260C-UNLIM           | <a href="#">Request Free Samples</a>      |
| TL431ACDBVT      | ACTIVE                | SOT-23       | DBV             | 5    | 250         | Green (RoHS<br>& no Sb/Br) | CU NIPDAU            | Level-1-260C-UNLIM           | Contact TI Distributor<br>or Sales Office |
| TL431ACDBVTE4    | ACTIVE                | SOT-23       | DBV             | 5    | 250         | Green (RoHS<br>& no Sb/Br) | CU NIPDAU            | Level-1-260C-UNLIM           | Contact TI Distributor<br>or Sales Office |
| TL431ACDBVTG4    | ACTIVE                | SOT-23       | DBV             | 5    | 250         | Green (RoHS<br>& no Sb/Br) | CU NIPDAU            | Level-1-260C-UNLIM           | Contact TI Distributor<br>or Sales Office |
| TL431ACDBZR      | ACTIVE                | SOT-23       | DBZ             | 3    | 3000        | Green (RoHS<br>& no Sb/Br) | CU NIPDAU            | Level-1-260C-UNLIM           | Contact TI Distributor<br>or Sales Office |
| TL431ACDBZRG4    | ACTIVE                | SOT-23       | DBZ             | 3    | 3000        | Green (RoHS<br>& no Sb/Br) | CU NIPDAU            | Level-1-260C-UNLIM           | Contact TI Distributor<br>or Sales Office |
| TL431ACDBZT      | ACTIVE                | SOT-23       | DBZ             | 3    | 250         | Green (RoHS<br>& no Sb/Br) | CU NIPDAU            | Level-1-260C-UNLIM           | <a href="#">Purchase Samples</a>          |
| TL431ACDBZTG4    | ACTIVE                | SOT-23       | DBZ             | 3    | 250         | Green (RoHS<br>& no Sb/Br) | CU NIPDAU            | Level-1-260C-UNLIM           | <a href="#">Purchase Samples</a>          |
| TL431ACDCKR      | ACTIVE                | SC70         | DCK             | 6    | 3000        | Green (RoHS<br>& no Sb/Br) | CU NIPDAU            | Level-1-260C-UNLIM           | <a href="#">Request Free Samples</a>      |
| TL431ACDCKRE4    | ACTIVE                | SC70         | DCK             | 6    | 3000        | Green (RoHS<br>& no Sb/Br) | CU NIPDAU            | Level-1-260C-UNLIM           | <a href="#">Request Free Samples</a>      |
| TL431ACDCKRG4    | ACTIVE                | SC70         | DCK             | 6    | 3000        | Green (RoHS<br>& no Sb/Br) | CU NIPDAU            | Level-1-260C-UNLIM           | <a href="#">Request Free Samples</a>      |
| TL431ACDCKT      | ACTIVE                | SC70         | DCK             | 6    | 250         | Green (RoHS<br>& no Sb/Br) | CU NIPDAU            | Level-1-260C-UNLIM           | <a href="#">Purchase Samples</a>          |
| TL431ACDCKTE4    | ACTIVE                | SC70         | DCK             | 6    | 250         | Green (RoHS<br>& no Sb/Br) | CU NIPDAU            | Level-1-260C-UNLIM           | <a href="#">Purchase Samples</a>          |
| TL431ACDCKTG4    | ACTIVE                | SC70         | DCK             | 6    | 250         | Green (RoHS<br>& no Sb/Br) | CU NIPDAU            | Level-1-260C-UNLIM           | <a href="#">Purchase Samples</a>          |



| Orderable Device | Status <sup>(1)</sup> | Package Type | Package Drawing | Pins | Package Qty | Eco Plan <sup>(2)</sup> | Lead/<br>Ball Finish | MSL Peak Temp <sup>(3)</sup> | Samples<br>(Requires Login)            |
|------------------|-----------------------|--------------|-----------------|------|-------------|-------------------------|----------------------|------------------------------|--|
| TL431ACDG4       | ACTIVE                | SOIC         | D               | 8    | 75          | Green (RoHS & no Sb/Br) | CU NIPDAU            | Level-1-260C-UNLIM           | <a href="#">Purchase Samples</a>       |
| TL431ACDR        | ACTIVE                | SOIC         | D               | 8    | 2500        | Green (RoHS & no Sb/Br) | CU NIPDAU            | Level-1-260C-UNLIM           | Contact TI Distributor or Sales Office |
| TL431ACDRG3      | PREVIEW               | SOIC         | D               | 8    | 2500        | TBD                     | Call TI              | Call TI                      | Samples Not Available                  |
| TL431ACDRG4      | ACTIVE                | SOIC         | D               | 8    | 2500        | Green (RoHS & no Sb/Br) | CU NIPDAU            | Level-1-260C-UNLIM           | Contact TI Distributor or Sales Office |
| TL431ACLP        | ACTIVE                | TO-92        | LP              | 3    | 1000        | Pb-Free (RoHS)          | CU SN                | N / A for Pkg Type           | Contact TI Distributor or Sales Office |
| TL431ACLPE3      | ACTIVE                | TO-92        | LP              | 3    | 1000        | Pb-Free (RoHS)          | CU SN                | N / A for Pkg Type           | Contact TI Distributor or Sales Office |
| TL431ACLPM       | ACTIVE                | TO-92        | LP              | 3    | 2000        | Pb-Free (RoHS)          | CU SN                | N / A for Pkg Type           | <a href="#">Purchase Samples</a>       |
| TL431ACLPR       | ACTIVE                | TO-92        | LP              | 3    | 2000        | Pb-Free (RoHS)          | CU SN                | N / A for Pkg Type           | Contact TI Distributor or Sales Office |
| TL431ACP         | ACTIVE                | PDIP         | P               | 8    | 50          | Pb-Free (RoHS)          | CU NIPDAU            | N / A for Pkg Type           | Contact TI Distributor or Sales Office |
| TL431ACPE4       | ACTIVE                | PDIP         | P               | 8    | 50          | Pb-Free (RoHS)          | CU NIPDAU            | N / A for Pkg Type           | Contact TI Distributor or Sales Office |
| TL431ACPK        | ACTIVE                | SOT-89       | PK              | 3    | 1000        | Green (RoHS & no Sb/Br) | CU SN                | Level-2-260C-1 YEAR          | Contact TI Distributor or Sales Office |
| TL431ACPKG3      | ACTIVE                | SOT-89       | PK              | 3    | 1000        | Green (RoHS & no Sb/Br) | CU SN                | Level-2-260C-1 YEAR          | Contact TI Distributor or Sales Office |
| TL431ACPSR       | ACTIVE                | SO           | PS              | 8    | 2000        | Green (RoHS & no Sb/Br) | CU NIPDAU            | Level-1-260C-UNLIM           | Contact TI Distributor or Sales Office |
| TL431ACPSRE4     | ACTIVE                | SO           | PS              | 8    | 2000        | Green (RoHS & no Sb/Br) | CU NIPDAU            | Level-1-260C-UNLIM           | Contact TI Distributor or Sales Office |
| TL431ACPSRG4     | ACTIVE                | SO           | PS              | 8    | 2000        | Green (RoHS & no Sb/Br) | CU NIPDAU            | Level-1-260C-UNLIM           | Contact TI Distributor or Sales Office |
| TL431ACPW        | ACTIVE                | TSSOP        | PW              | 8    | 150         | Green (RoHS & no Sb/Br) | CU NIPDAU            | Level-1-260C-UNLIM           | <a href="#">Purchase Samples</a>       |
| TL431ACPWE4      | ACTIVE                | TSSOP        | PW              | 8    | 150         | Green (RoHS & no Sb/Br) | CU NIPDAU            | Level-1-260C-UNLIM           | <a href="#">Purchase Samples</a>       |
| TL431ACPWG4      | ACTIVE                | TSSOP        | PW              | 8    | 150         | Green (RoHS & no Sb/Br) | CU NIPDAU            | Level-1-260C-UNLIM           | <a href="#">Purchase Samples</a>       |
| TL431ACPWR       | ACTIVE                | TSSOP        | PW              | 8    | 2000        | Green (RoHS & no Sb/Br) | CU NIPDAU            | Level-1-260C-UNLIM           | Contact TI Distributor or Sales Office |

| Orderable Device | Status <sup>(1)</sup> | Package Type | Package Drawing | Pins | Package Qty | Eco Plan <sup>(2)</sup> | Lead/<br>Ball Finish | MSL Peak Temp <sup>(3)</sup> | Samples<br>(Requires Login)            |
|------------------|-----------------------|--------------|-----------------|------|-------------|-------------------------|----------------------|------------------------------|--|
| TL431ACPWRE4     | ACTIVE                | TSSOP        | PW              | 8    | 2000        | Green (RoHS & no Sb/Br) | CU NIPDAU            | Level-1-260C-UNLIM           | Contact TI Distributor or Sales Office |
| TL431ACPWRG4     | ACTIVE                | TSSOP        | PW              | 8    | 2000        | Green (RoHS & no Sb/Br) | CU NIPDAU            | Level-1-260C-UNLIM           | Contact TI Distributor or Sales Office |
| TL431AID         | ACTIVE                | SOIC         | D               | 8    | 75          | Green (RoHS & no Sb/Br) | CU NIPDAU            | Level-1-260C-UNLIM           | <a href="#">Purchase Samples</a>       |
| TL431AIDBVR      | ACTIVE                | SOT-23       | DBV             | 5    | 3000        | Green (RoHS & no Sb/Br) | CU NIPDAU            | Level-1-260C-UNLIM           | <a href="#">Purchase Samples</a>       |
| TL431AIDBVRE4    | ACTIVE                | SOT-23       | DBV             | 5    | 3000        | Green (RoHS & no Sb/Br) | CU NIPDAU            | Level-1-260C-UNLIM           | <a href="#">Purchase Samples</a>       |
| TL431AIDBVRG4    | ACTIVE                | SOT-23       | DBV             | 5    | 3000        | Green (RoHS & no Sb/Br) | CU NIPDAU            | Level-1-260C-UNLIM           | <a href="#">Purchase Samples</a>       |
| TL431AIDBVT      | ACTIVE                | SOT-23       | DBV             | 5    | 250         | Green (RoHS & no Sb/Br) | CU NIPDAU            | Level-1-260C-UNLIM           | Contact TI Distributor or Sales Office |
| TL431AIDBVTE4    | ACTIVE                | SOT-23       | DBV             | 5    | 250         | Green (RoHS & no Sb/Br) | CU NIPDAU            | Level-1-260C-UNLIM           | Contact TI Distributor or Sales Office |
| TL431AIDBVTG4    | ACTIVE                | SOT-23       | DBV             | 5    | 250         | Green (RoHS & no Sb/Br) | CU NIPDAU            | Level-1-260C-UNLIM           | Contact TI Distributor or Sales Office |
| TL431AIDBZR      | ACTIVE                | SOT-23       | DBZ             | 3    | 3000        | Green (RoHS & no Sb/Br) | CU NIPDAU            | Level-1-260C-UNLIM           | Contact TI Distributor or Sales Office |
| TL431AIDBZRG4    | ACTIVE                | SOT-23       | DBZ             | 3    | 3000        | Green (RoHS & no Sb/Br) | CU NIPDAU            | Level-1-260C-UNLIM           | Contact TI Distributor or Sales Office |
| TL431AIDBZT      | ACTIVE                | SOT-23       | DBZ             | 3    | 250         | Green (RoHS & no Sb/Br) | CU NIPDAU            | Level-1-260C-UNLIM           | <a href="#">Purchase Samples</a>       |
| TL431AIDBZTG4    | ACTIVE                | SOT-23       | DBZ             | 3    | 250         | Green (RoHS & no Sb/Br) | CU NIPDAU            | Level-1-260C-UNLIM           | <a href="#">Purchase Samples</a>       |
| TL431AIDCKR      | ACTIVE                | SC70         | DCK             | 6    | 3000        | Green (RoHS & no Sb/Br) | CU NIPDAU            | Level-1-260C-UNLIM           | <a href="#">Request Free Samples</a>   |
| TL431AIDCKRE4    | ACTIVE                | SC70         | DCK             | 6    | 3000        | Green (RoHS & no Sb/Br) | CU NIPDAU            | Level-1-260C-UNLIM           | <a href="#">Request Free Samples</a>   |
| TL431AIDCKRG4    | ACTIVE                | SC70         | DCK             | 6    | 3000        | Green (RoHS & no Sb/Br) | CU NIPDAU            | Level-1-260C-UNLIM           | <a href="#">Request Free Samples</a>   |
| TL431AIDCKT      | ACTIVE                | SC70         | DCK             | 6    | 250         | Green (RoHS & no Sb/Br) | CU NIPDAU            | Level-1-260C-UNLIM           | <a href="#">Purchase Samples</a>       |
| TL431AIDCKTE4    | ACTIVE                | SC70         | DCK             | 6    | 250         | Green (RoHS & no Sb/Br) | CU NIPDAU            | Level-1-260C-UNLIM           | <a href="#">Purchase Samples</a>       |

| Orderable Device | Status <sup>(1)</sup> | Package Type | Package Drawing | Pins | Package Qty | Eco Plan <sup>(2)</sup> | Lead/<br>Ball Finish | MSL Peak Temp <sup>(3)</sup> | Samples<br>(Requires Login)            |
|------------------|-----------------------|--------------|-----------------|------|-------------|-------------------------|----------------------|------------------------------|--|
| TL431AIDCKTG4    | ACTIVE                | SC70         | DCK             | 6    | 250         | Green (RoHS & no Sb/Br) | CU NIPDAU            | Level-1-260C-UNLIM           | <a href="#">Purchase Samples</a>       |
| TL431AIDG4       | ACTIVE                | SOIC         | D               | 8    | 75          | Green (RoHS & no Sb/Br) | CU NIPDAU            | Level-1-260C-UNLIM           | <a href="#">Purchase Samples</a>       |
| TL431AIDR        | ACTIVE                | SOIC         | D               | 8    | 2500        | Green (RoHS & no Sb/Br) | CU NIPDAU            | Level-1-260C-UNLIM           | Contact TI Distributor or Sales Office |
| TL431AIDRG3      | PREVIEW               | SOIC         | D               | 8    | 2500        | TBD                     | Call TI              | Call TI                      | Samples Not Available                  |
| TL431AIDRG4      | ACTIVE                | SOIC         | D               | 8    | 2500        | Green (RoHS & no Sb/Br) | CU NIPDAU            | Level-1-260C-UNLIM           | Contact TI Distributor or Sales Office |
| TL431AILP        | ACTIVE                | TO-92        | LP              | 3    | 1000        | Pb-Free (RoHS)          | CU SN                | N / A for Pkg Type           | <a href="#">Purchase Samples</a>       |
| TL431AILPM       | ACTIVE                | TO-92        | LP              | 3    | 2000        | Pb-Free (RoHS)          | CU SN                | N / A for Pkg Type           | <a href="#">Purchase Samples</a>       |
| TL431AILPME3     | ACTIVE                | TO-92        | LP              | 3    | 2000        | Pb-Free (RoHS)          | CU SN                | N / A for Pkg Type           | <a href="#">Purchase Samples</a>       |
| TL431AILPR       | ACTIVE                | TO-92        | LP              | 3    | 2000        | Pb-Free (RoHS)          | CU SN                | N / A for Pkg Type           | Contact TI Distributor or Sales Office |
| TL431AIP         | ACTIVE                | PDIP         | P               | 8    | 50          | Pb-Free (RoHS)          | CU NIPDAU            | N / A for Pkg Type           | Contact TI Distributor or Sales Office |
| TL431AIPe4       | ACTIVE                | PDIP         | P               | 8    | 50          | Pb-Free (RoHS)          | CU NIPDAU            | N / A for Pkg Type           | Contact TI Distributor or Sales Office |
| TL431AIPK        | ACTIVE                | SOT-89       | PK              | 3    | 1000        | Green (RoHS & no Sb/Br) | CU SN                | Level-2-260C-1 YEAR          | Contact TI Distributor or Sales Office |
| TL431AIPKG3      | ACTIVE                | SOT-89       | PK              | 3    | 1000        | Green (RoHS & no Sb/Br) | CU SN                | Level-2-260C-1 YEAR          | Contact TI Distributor or Sales Office |
| TL431AQDBVR      | ACTIVE                | SOT-23       | DBV             | 5    | 3000        | Green (RoHS & no Sb/Br) | CU NIPDAU            | Level-1-260C-UNLIM           | Contact TI Distributor or Sales Office |
| TL431AQDBVRE4    | ACTIVE                | SOT-23       | DBV             | 5    | 3000        | Green (RoHS & no Sb/Br) | CU NIPDAU            | Level-1-260C-UNLIM           | Contact TI Distributor or Sales Office |
| TL431AQDBVRG4    | ACTIVE                | SOT-23       | DBV             | 5    | 3000        | Green (RoHS & no Sb/Br) | CU NIPDAU            | Level-1-260C-UNLIM           | Contact TI Distributor or Sales Office |
| TL431AQDBVT      | ACTIVE                | SOT-23       | DBV             | 5    | 250         | Green (RoHS & no Sb/Br) | CU NIPDAU            | Level-1-260C-UNLIM           | <a href="#">Purchase Samples</a>       |
| TL431AQDBVTE4    | ACTIVE                | SOT-23       | DBV             | 5    | 250         | Green (RoHS & no Sb/Br) | CU NIPDAU            | Level-1-260C-UNLIM           | <a href="#">Purchase Samples</a>       |
| TL431AQDBVTG4    | ACTIVE                | SOT-23       | DBV             | 5    | 250         | Green (RoHS & no Sb/Br) | CU NIPDAU            | Level-1-260C-UNLIM           | <a href="#">Purchase Samples</a>       |

| Orderable Device | Status <sup>(1)</sup> | Package Type | Package Drawing | Pins | Package Qty | Eco Plan <sup>(2)</sup> | Lead/<br>Ball Finish | MSL Peak Temp <sup>(3)</sup> | Samples<br>(Requires Login)            |
|------------------|-----------------------|--------------|-----------------|------|-------------|-------------------------|----------------------|------------------------------|--|
| TL431AQDBZR      | ACTIVE                | SOT-23       | DBZ             | 3    | 3000        | Green (RoHS & no Sb/Br) | CU NIPDAU            | Level-1-260C-UNLIM           | Contact TI Distributor or Sales Office |
| TL431AQDBZRG4    | ACTIVE                | SOT-23       | DBZ             | 3    | 3000        | Green (RoHS & no Sb/Br) | CU NIPDAU            | Level-1-260C-UNLIM           | Contact TI Distributor or Sales Office |
| TL431AQDBZT      | ACTIVE                | SOT-23       | DBZ             | 3    | 250         | Green (RoHS & no Sb/Br) | CU NIPDAU            | Level-1-260C-UNLIM           | Contact TI Distributor or Sales Office |
| TL431AQDBZTG4    | ACTIVE                | SOT-23       | DBZ             | 3    | 250         | Green (RoHS & no Sb/Br) | CU NIPDAU            | Level-1-260C-UNLIM           | Contact TI Distributor or Sales Office |
| TL431AQDCKR      | ACTIVE                | SC70         | DCK             | 6    | 3000        | Green (RoHS & no Sb/Br) | CU NIPDAU            | Level-1-260C-UNLIM           | <a href="#">Request Free Samples</a>   |
| TL431AQDCKRE4    | ACTIVE                | SC70         | DCK             | 6    | 3000        | Green (RoHS & no Sb/Br) | CU NIPDAU            | Level-1-260C-UNLIM           | <a href="#">Request Free Samples</a>   |
| TL431AQDCKRG4    | ACTIVE                | SC70         | DCK             | 6    | 3000        | Green (RoHS & no Sb/Br) | CU NIPDAU            | Level-1-260C-UNLIM           | <a href="#">Request Free Samples</a>   |
| TL431AQDCKT      | ACTIVE                | SC70         | DCK             | 6    | 250         | Green (RoHS & no Sb/Br) | CU NIPDAU            | Level-1-260C-UNLIM           | <a href="#">Purchase Samples</a>       |
| TL431AQDCKTE4    | ACTIVE                | SC70         | DCK             | 6    | 250         | Green (RoHS & no Sb/Br) | CU NIPDAU            | Level-1-260C-UNLIM           | <a href="#">Purchase Samples</a>       |
| TL431AQDCKTG4    | ACTIVE                | SC70         | DCK             | 6    | 250         | Green (RoHS & no Sb/Br) | CU NIPDAU            | Level-1-260C-UNLIM           | <a href="#">Purchase Samples</a>       |
| TL431AQPK        | ACTIVE                | SOT-89       | PK              | 3    | 1000        | Green (RoHS & no Sb/Br) | CU SN                | Level-2-260C-1 YEAR          | <a href="#">Request Free Samples</a>   |
| TL431AQPKG3      | ACTIVE                | SOT-89       | PK              | 3    | 1000        | Green (RoHS & no Sb/Br) | CU SN                | Level-2-260C-1 YEAR          | <a href="#">Request Free Samples</a>   |
| TL431BCD         | ACTIVE                | SOIC         | D               | 8    | 75          | Green (RoHS & no Sb/Br) | CU NIPDAU            | Level-1-260C-UNLIM           | <a href="#">Purchase Samples</a>       |
| TL431BCDBVR      | ACTIVE                | SOT-23       | DBV             | 5    | 3000        | Green (RoHS & no Sb/Br) | CU NIPDAU            | Level-1-260C-UNLIM           | <a href="#">Request Free Samples</a>   |
| TL431BCDBVRE4    | ACTIVE                | SOT-23       | DBV             | 5    | 3000        | Green (RoHS & no Sb/Br) | CU NIPDAU            | Level-1-260C-UNLIM           | <a href="#">Request Free Samples</a>   |
| TL431BCDBVRG4    | ACTIVE                | SOT-23       | DBV             | 5    | 3000        | Green (RoHS & no Sb/Br) | CU NIPDAU            | Level-1-260C-UNLIM           | <a href="#">Request Free Samples</a>   |
| TL431BCDBVT      | ACTIVE                | SOT-23       | DBV             | 5    | 250         | Green (RoHS & no Sb/Br) | CU NIPDAU            | Level-1-260C-UNLIM           | Contact TI Distributor or Sales Office |
| TL431BCDBVTE4    | ACTIVE                | SOT-23       | DBV             | 5    | 250         | Green (RoHS & no Sb/Br) | CU NIPDAU            | Level-1-260C-UNLIM           | Contact TI Distributor or Sales Office |

| Orderable Device | Status <sup>(1)</sup> | Package Type | Package Drawing | Pins | Package Qty | Eco Plan <sup>(2)</sup> | Lead/<br>Ball Finish | MSL Peak Temp <sup>(3)</sup> | Samples<br>(Requires Login)            |
|------------------|-----------------------|--------------|-----------------|------|-------------|-------------------------|----------------------|------------------------------|--|
| TL431BCDBVTG4    | ACTIVE                | SOT-23       | DBV             | 5    | 250         | Green (RoHS & no Sb/Br) | CU NIPDAU            | Level-1-260C-UNLIM           | Contact TI Distributor or Sales Office |
| TL431BCDBZR      | ACTIVE                | SOT-23       | DBZ             | 3    | 3000        | Green (RoHS & no Sb/Br) | CU NIPDAU            | Level-1-260C-UNLIM           | <a href="#">Request Free Samples</a>   |
| TL431BCDBZRG4    | ACTIVE                | SOT-23       | DBZ             | 3    | 3000        | Green (RoHS & no Sb/Br) | CU NIPDAU            | Level-1-260C-UNLIM           | <a href="#">Request Free Samples</a>   |
| TL431BCDBZT      | ACTIVE                | SOT-23       | DBZ             | 3    | 250         | Green (RoHS & no Sb/Br) | CU NIPDAU            | Level-1-260C-UNLIM           | Contact TI Distributor or Sales Office |
| TL431BCDBZTG4    | ACTIVE                | SOT-23       | DBZ             | 3    | 250         | Green (RoHS & no Sb/Br) | CU NIPDAU            | Level-1-260C-UNLIM           | Contact TI Distributor or Sales Office |
| TL431BCDCKR      | ACTIVE                | SC70         | DCK             | 6    | 3000        | Green (RoHS & no Sb/Br) | CU NIPDAU            | Level-1-260C-UNLIM           | <a href="#">Request Free Samples</a>   |
| TL431BCDCKRE4    | ACTIVE                | SC70         | DCK             | 6    | 3000        | Green (RoHS & no Sb/Br) | CU NIPDAU            | Level-1-260C-UNLIM           | <a href="#">Request Free Samples</a>   |
| TL431BCDCKRG4    | ACTIVE                | SC70         | DCK             | 6    | 3000        | Green (RoHS & no Sb/Br) | CU NIPDAU            | Level-1-260C-UNLIM           | <a href="#">Request Free Samples</a>   |
| TL431BCDCKT      | ACTIVE                | SC70         | DCK             | 6    | 250         | Green (RoHS & no Sb/Br) | CU NIPDAU            | Level-1-260C-UNLIM           | <a href="#">Purchase Samples</a>       |
| TL431BCDCKTE4    | ACTIVE                | SC70         | DCK             | 6    | 250         | Green (RoHS & no Sb/Br) | CU NIPDAU            | Level-1-260C-UNLIM           | <a href="#">Purchase Samples</a>       |
| TL431BCDCKTG4    | ACTIVE                | SC70         | DCK             | 6    | 250         | Green (RoHS & no Sb/Br) | CU NIPDAU            | Level-1-260C-UNLIM           | <a href="#">Purchase Samples</a>       |
| TL431BCDE4       | ACTIVE                | SOIC         | D               | 8    | 75          | Green (RoHS & no Sb/Br) | CU NIPDAU            | Level-1-260C-UNLIM           | <a href="#">Purchase Samples</a>       |
| TL431BCDG4       | ACTIVE                | SOIC         | D               | 8    | 75          | Green (RoHS & no Sb/Br) | CU NIPDAU            | Level-1-260C-UNLIM           | <a href="#">Purchase Samples</a>       |
| TL431BCDR        | ACTIVE                | SOIC         | D               | 8    | 2500        | Green (RoHS & no Sb/Br) | CU NIPDAU            | Level-1-260C-UNLIM           | <a href="#">Request Free Samples</a>   |
| TL431BCDRE4      | ACTIVE                | SOIC         | D               | 8    | 2500        | Green (RoHS & no Sb/Br) | CU NIPDAU            | Level-1-260C-UNLIM           | <a href="#">Request Free Samples</a>   |
| TL431BCDRG4      | ACTIVE                | SOIC         | D               | 8    | 2500        | Green (RoHS & no Sb/Br) | CU NIPDAU            | Level-1-260C-UNLIM           | <a href="#">Request Free Samples</a>   |
| TL431BCLP        | ACTIVE                | TO-92        | LP              | 3    | 1000        | Pb-Free (RoHS)          | CU SN                | N / A for Pkg Type           | Contact TI Distributor or Sales Office |
| TL431BCLPE3      | ACTIVE                | TO-92        | LP              | 3    | 1000        | Pb-Free (RoHS)          | CU SN                | N / A for Pkg Type           | Contact TI Distributor or Sales Office |

| Orderable Device | Status <sup>(1)</sup> | Package Type | Package Drawing | Pins | Package Qty | Eco Plan <sup>(2)</sup>    | Lead/<br>Ball Finish | MSL Peak Temp <sup>(3)</sup> | Samples<br>(Requires Login)          |
|------------------|-----------------------|--------------|-----------------|------|-------------|----------------------------|----------------------|------------------------------|--------------------------------------|
| TL431BCLPM       | ACTIVE                | TO-92        | LP              | 3    | 2000        | Pb-Free (RoHS)             | CU SN                | N / A for Pkg Type           | <a href="#">Purchase Samples</a>     |
| TL431BCLPME3     | ACTIVE                | TO-92        | LP              | 3    | 2000        | Pb-Free (RoHS)             | CU SN                | N / A for Pkg Type           | <a href="#">Purchase Samples</a>     |
| TL431BCLPR       | ACTIVE                | TO-92        | LP              | 3    | 2000        | Pb-Free (RoHS)             | CU SN                | N / A for Pkg Type           | <a href="#">Request Free Samples</a> |
| TL431BCLPRE3     | ACTIVE                | TO-92        | LP              | 3    | 2000        | Pb-Free (RoHS)             | CU SN                | N / A for Pkg Type           | <a href="#">Request Free Samples</a> |
| TL431BCP         | ACTIVE                | PDIP         | P               | 8    | 50          | Pb-Free (RoHS)             | CU NIPDAU            | N / A for Pkg Type           | <a href="#">Request Free Samples</a> |
| TL431BCPE4       | ACTIVE                | PDIP         | P               | 8    | 50          | Pb-Free (RoHS)             | CU NIPDAU            | N / A for Pkg Type           | <a href="#">Request Free Samples</a> |
| TL431BCPK        | ACTIVE                | SOT-89       | PK              | 3    | 1000        | Green (RoHS<br>& no Sb/Br) | CU SN                | Level-2-260C-1 YEAR          | <a href="#">Request Free Samples</a> |
| TL431BCPKG3      | ACTIVE                | SOT-89       | PK              | 3    | 1000        | Green (RoHS<br>& no Sb/Br) | CU SN                | Level-2-260C-1 YEAR          | <a href="#">Request Free Samples</a> |
| TL431BCPSR       | ACTIVE                | SO           | PS              | 8    | 2000        | Green (RoHS<br>& no Sb/Br) | CU NIPDAU            | Level-1-260C-UNLIM           | <a href="#">Request Free Samples</a> |
| TL431BCPSRE4     | ACTIVE                | SO           | PS              | 8    | 2000        | Green (RoHS<br>& no Sb/Br) | CU NIPDAU            | Level-1-260C-UNLIM           | <a href="#">Request Free Samples</a> |
| TL431BCPSRG4     | ACTIVE                | SO           | PS              | 8    | 2000        | Green (RoHS<br>& no Sb/Br) | CU NIPDAU            | Level-1-260C-UNLIM           | <a href="#">Request Free Samples</a> |
| TL431BCPW        | ACTIVE                | TSSOP        | PW              | 8    | 150         | Green (RoHS<br>& no Sb/Br) | CU NIPDAU            | Level-1-260C-UNLIM           | <a href="#">Purchase Samples</a>     |
| TL431BCPWE4      | ACTIVE                | TSSOP        | PW              | 8    | 150         | Green (RoHS<br>& no Sb/Br) | CU NIPDAU            | Level-1-260C-UNLIM           | <a href="#">Purchase Samples</a>     |
| TL431BCPWG4      | ACTIVE                | TSSOP        | PW              | 8    | 150         | Green (RoHS<br>& no Sb/Br) | CU NIPDAU            | Level-1-260C-UNLIM           | <a href="#">Purchase Samples</a>     |
| TL431BCPWR       | ACTIVE                | TSSOP        | PW              | 8    | 2000        | Green (RoHS<br>& no Sb/Br) | CU NIPDAU            | Level-1-260C-UNLIM           | <a href="#">Request Free Samples</a> |
| TL431BCPWRE4     | ACTIVE                | TSSOP        | PW              | 8    | 2000        | Green (RoHS<br>& no Sb/Br) | CU NIPDAU            | Level-1-260C-UNLIM           | <a href="#">Request Free Samples</a> |
| TL431BCPWG4      | ACTIVE                | TSSOP        | PW              | 8    | 2000        | Green (RoHS<br>& no Sb/Br) | CU NIPDAU            | Level-1-260C-UNLIM           | <a href="#">Request Free Samples</a> |
| TL431BID         | ACTIVE                | SOIC         | D               | 8    | 75          | Green (RoHS<br>& no Sb/Br) | CU NIPDAU            | Level-1-260C-UNLIM           | <a href="#">Purchase Samples</a>     |
| TL431BIDBVR      | ACTIVE                | SOT-23       | DBV             | 5    | 3000        | Green (RoHS<br>& no Sb/Br) | CU NIPDAU            | Level-1-260C-UNLIM           | <a href="#">Request Free Samples</a> |
| TL431BIDBVRE4    | ACTIVE                | SOT-23       | DBV             | 5    | 3000        | Green (RoHS<br>& no Sb/Br) | CU NIPDAU            | Level-1-260C-UNLIM           | <a href="#">Request Free Samples</a> |

| Orderable Device | Status <sup>(1)</sup> | Package Type | Package Drawing | Pins | Package Qty | Eco Plan <sup>(2)</sup> | Lead/<br>Ball Finish | MSL Peak Temp <sup>(3)</sup> | Samples<br>(Requires Login)            |
|------------------|-----------------------|--------------|-----------------|------|-------------|-------------------------|----------------------|------------------------------|--|
| TL431BIDBVRG4    | ACTIVE                | SOT-23       | DBV             | 5    | 3000        | Green (RoHS & no Sb/Br) | CU NIPDAU            | Level-1-260C-UNLIM           | <a href="#">Request Free Samples</a>   |
| TL431BIDBVT      | ACTIVE                | SOT-23       | DBV             | 5    | 250         | Green (RoHS & no Sb/Br) | CU NIPDAU            | Level-1-260C-UNLIM           | <a href="#">Purchase Samples</a>       |
| TL431BIDBVTE4    | ACTIVE                | SOT-23       | DBV             | 5    | 250         | Green (RoHS & no Sb/Br) | CU NIPDAU            | Level-1-260C-UNLIM           | <a href="#">Purchase Samples</a>       |
| TL431BIDBVTG4    | ACTIVE                | SOT-23       | DBV             | 5    | 250         | Green (RoHS & no Sb/Br) | CU NIPDAU            | Level-1-260C-UNLIM           | <a href="#">Purchase Samples</a>       |
| TL431BIDBZR      | ACTIVE                | SOT-23       | DBZ             | 3    | 3000        | Green (RoHS & no Sb/Br) | CU NIPDAU            | Level-1-260C-UNLIM           | <a href="#">Request Free Samples</a>   |
| TL431BIDBZRG4    | ACTIVE                | SOT-23       | DBZ             | 3    | 3000        | Green (RoHS & no Sb/Br) | CU NIPDAU            | Level-1-260C-UNLIM           | <a href="#">Request Free Samples</a>   |
| TL431BIDBZT      | ACTIVE                | SOT-23       | DBZ             | 3    | 250         | Green (RoHS & no Sb/Br) | CU NIPDAU            | Level-1-260C-UNLIM           | Contact TI Distributor or Sales Office |
| TL431BIDBZTG4    | ACTIVE                | SOT-23       | DBZ             | 3    | 250         | Green (RoHS & no Sb/Br) | CU NIPDAU            | Level-1-260C-UNLIM           | Contact TI Distributor or Sales Office |
| TL431BIDCKR      | ACTIVE                | SC70         | DCK             | 6    | 3000        | Green (RoHS & no Sb/Br) | CU NIPDAU            | Level-1-260C-UNLIM           | <a href="#">Request Free Samples</a>   |
| TL431BIDCKRE4    | ACTIVE                | SC70         | DCK             | 6    | 3000        | Green (RoHS & no Sb/Br) | CU NIPDAU            | Level-1-260C-UNLIM           | <a href="#">Request Free Samples</a>   |
| TL431BIDCKRG4    | ACTIVE                | SC70         | DCK             | 6    | 3000        | Green (RoHS & no Sb/Br) | CU NIPDAU            | Level-1-260C-UNLIM           | <a href="#">Request Free Samples</a>   |
| TL431BIDCKT      | ACTIVE                | SC70         | DCK             | 6    | 250         | Green (RoHS & no Sb/Br) | CU NIPDAU            | Level-1-260C-UNLIM           | <a href="#">Purchase Samples</a>       |
| TL431BIDCKTE4    | ACTIVE                | SC70         | DCK             | 6    | 250         | Green (RoHS & no Sb/Br) | CU NIPDAU            | Level-1-260C-UNLIM           | <a href="#">Purchase Samples</a>       |
| TL431BIDCKTG4    | ACTIVE                | SC70         | DCK             | 6    | 250         | Green (RoHS & no Sb/Br) | CU NIPDAU            | Level-1-260C-UNLIM           | <a href="#">Purchase Samples</a>       |
| TL431BIDE4       | ACTIVE                | SOIC         | D               | 8    | 75          | Green (RoHS & no Sb/Br) | CU NIPDAU            | Level-1-260C-UNLIM           | <a href="#">Purchase Samples</a>       |
| TL431BIDG4       | ACTIVE                | SOIC         | D               | 8    | 75          | Green (RoHS & no Sb/Br) | CU NIPDAU            | Level-1-260C-UNLIM           | <a href="#">Purchase Samples</a>       |
| TL431BIDR        | ACTIVE                | SOIC         | D               | 8    | 2500        | Green (RoHS & no Sb/Br) | CU NIPDAU            | Level-1-260C-UNLIM           | <a href="#">Request Free Samples</a>   |
| TL431BIDRE4      | ACTIVE                | SOIC         | D               | 8    | 2500        | Green (RoHS & no Sb/Br) | CU NIPDAU            | Level-1-260C-UNLIM           | <a href="#">Request Free Samples</a>   |

| Orderable Device | Status <sup>(1)</sup> | Package Type | Package Drawing | Pins | Package Qty | Eco Plan <sup>(2)</sup> | Lead/<br>Ball Finish | MSL Peak Temp <sup>(3)</sup> | Samples<br>(Requires Login)            |
|------------------|-----------------------|--------------|-----------------|------|-------------|-------------------------|----------------------|------------------------------|--|
| TL431BIDRG4      | ACTIVE                | SOIC         | D               | 8    | 2500        | Green (RoHS & no Sb/Br) | CU NIPDAU            | Level-1-260C-UNLIM           | <a href="#">Request Free Samples</a>   |
| TL431BILP        | ACTIVE                | TO-92        | LP              | 3    | 1000        | Pb-Free (RoHS)          | CU SN                | N / A for Pkg Type           | Contact TI Distributor or Sales Office |
| TL431BILPE3      | ACTIVE                | TO-92        | LP              | 3    | 1000        | Pb-Free (RoHS)          | CU SN                | N / A for Pkg Type           | Contact TI Distributor or Sales Office |
| TL431BILPR       | ACTIVE                | TO-92        | LP              | 3    | 2000        | Pb-Free (RoHS)          | CU SN                | N / A for Pkg Type           | <a href="#">Request Free Samples</a>   |
| TL431BILPRE3     | ACTIVE                | TO-92        | LP              | 3    | 2000        | Pb-Free (RoHS)          | CU SN                | N / A for Pkg Type           | <a href="#">Request Free Samples</a>   |
| TL431BIP         | ACTIVE                | PDIP         | P               | 8    | 50          | Pb-Free (RoHS)          | CU NIPDAU            | N / A for Pkg Type           | <a href="#">Request Free Samples</a>   |
| TL431BIPE4       | ACTIVE                | PDIP         | P               | 8    | 50          | Pb-Free (RoHS)          | CU NIPDAU            | N / A for Pkg Type           | <a href="#">Request Free Samples</a>   |
| TL431BIPK        | ACTIVE                | SOT-89       | PK              | 3    | 1000        | Green (RoHS & no Sb/Br) | CU SN                | Level-2-260C-1 YEAR          | <a href="#">Request Free Samples</a>   |
| TL431BIPKG3      | ACTIVE                | SOT-89       | PK              | 3    | 1000        | Green (RoHS & no Sb/Br) | CU SN                | Level-2-260C-1 YEAR          | <a href="#">Request Free Samples</a>   |
| TL431BQD         | ACTIVE                | SOIC         | D               | 8    | 75          | Green (RoHS & no Sb/Br) | CU NIPDAU            | Level-1-260C-UNLIM           | <a href="#">Purchase Samples</a>       |
| TL431BQDBVR      | ACTIVE                | SOT-23       | DBV             | 5    | 3000        | Green (RoHS & no Sb/Br) | CU NIPDAU            | Level-1-260C-UNLIM           | <a href="#">Request Free Samples</a>   |
| TL431BQDBVRE4    | ACTIVE                | SOT-23       | DBV             | 5    | 3000        | Green (RoHS & no Sb/Br) | CU NIPDAU            | Level-1-260C-UNLIM           | <a href="#">Request Free Samples</a>   |
| TL431BQDBVRG4    | ACTIVE                | SOT-23       | DBV             | 5    | 3000        | Green (RoHS & no Sb/Br) | CU NIPDAU            | Level-1-260C-UNLIM           | <a href="#">Request Free Samples</a>   |
| TL431BQDBVT      | ACTIVE                | SOT-23       | DBV             | 5    | 250         | Green (RoHS & no Sb/Br) | CU NIPDAU            | Level-1-260C-UNLIM           | <a href="#">Purchase Samples</a>       |
| TL431BQDBVTE4    | ACTIVE                | SOT-23       | DBV             | 5    | 250         | Green (RoHS & no Sb/Br) | CU NIPDAU            | Level-1-260C-UNLIM           | <a href="#">Purchase Samples</a>       |
| TL431BQDBVTG4    | ACTIVE                | SOT-23       | DBV             | 5    | 250         | Green (RoHS & no Sb/Br) | CU NIPDAU            | Level-1-260C-UNLIM           | <a href="#">Purchase Samples</a>       |
| TL431BQDBZR      | ACTIVE                | SOT-23       | DBZ             | 3    | 3000        | Green (RoHS & no Sb/Br) | CU NIPDAU            | Level-1-260C-UNLIM           | <a href="#">Request Free Samples</a>   |
| TL431BQDBZRG4    | ACTIVE                | SOT-23       | DBZ             | 3    | 3000        | Green (RoHS & no Sb/Br) | CU NIPDAU            | Level-1-260C-UNLIM           | <a href="#">Request Free Samples</a>   |
| TL431BQDBZT      | ACTIVE                | SOT-23       | DBZ             | 3    | 250         | Green (RoHS & no Sb/Br) | CU NIPDAU            | Level-1-260C-UNLIM           | Contact TI Distributor or Sales Office |



| Orderable Device | Status <sup>(1)</sup> | Package Type | Package Drawing | Pins | Package Qty | Eco Plan <sup>(2)</sup> | Lead/<br>Ball Finish | MSL Peak Temp <sup>(3)</sup> | Samples<br>(Requires Login)            |
|------------------|-----------------------|--------------|-----------------|------|-------------|-------------------------|----------------------|------------------------------|--|
| TL431BQDBZTG4    | ACTIVE                | SOT-23       | DBZ             | 3    | 250         | Green (RoHS & no Sb/Br) | CU NIPDAU            | Level-1-260C-UNLIM           | Contact TI Distributor or Sales Office |
| TL431BQDCKR      | ACTIVE                | SC70         | DCK             | 6    | 3000        | Green (RoHS & no Sb/Br) | CU NIPDAU            | Level-1-260C-UNLIM           | <a href="#">Request Free Samples</a>   |
| TL431BQDCKRE4    | ACTIVE                | SC70         | DCK             | 6    | 3000        | Green (RoHS & no Sb/Br) | CU NIPDAU            | Level-1-260C-UNLIM           | <a href="#">Request Free Samples</a>   |
| TL431BQDCKRG4    | ACTIVE                | SC70         | DCK             | 6    | 3000        | Green (RoHS & no Sb/Br) | CU NIPDAU            | Level-1-260C-UNLIM           | <a href="#">Request Free Samples</a>   |
| TL431BQDCKT      | ACTIVE                | SC70         | DCK             | 6    | 250         | Green (RoHS & no Sb/Br) | CU NIPDAU            | Level-1-260C-UNLIM           | <a href="#">Purchase Samples</a>       |
| TL431BQDCKTE4    | ACTIVE                | SC70         | DCK             | 6    | 250         | Green (RoHS & no Sb/Br) | CU NIPDAU            | Level-1-260C-UNLIM           | <a href="#">Purchase Samples</a>       |
| TL431BQDCKTG4    | ACTIVE                | SC70         | DCK             | 6    | 250         | Green (RoHS & no Sb/Br) | CU NIPDAU            | Level-1-260C-UNLIM           | <a href="#">Purchase Samples</a>       |
| TL431BQDE4       | ACTIVE                | SOIC         | D               | 8    | 75          | Green (RoHS & no Sb/Br) | CU NIPDAU            | Level-1-260C-UNLIM           | <a href="#">Purchase Samples</a>       |
| TL431BQDG4       | ACTIVE                | SOIC         | D               | 8    | 75          | Green (RoHS & no Sb/Br) | CU NIPDAU            | Level-1-260C-UNLIM           | <a href="#">Purchase Samples</a>       |
| TL431BQDR        | ACTIVE                | SOIC         | D               | 8    | 2500        | Green (RoHS & no Sb/Br) | CU NIPDAU            | Level-1-260C-UNLIM           | <a href="#">Request Free Samples</a>   |
| TL431BQDRE4      | ACTIVE                | SOIC         | D               | 8    | 2500        | Green (RoHS & no Sb/Br) | CU NIPDAU            | Level-1-260C-UNLIM           | <a href="#">Request Free Samples</a>   |
| TL431BQDRG4      | ACTIVE                | SOIC         | D               | 8    | 2500        | Green (RoHS & no Sb/Br) | CU NIPDAU            | Level-1-260C-UNLIM           | <a href="#">Request Free Samples</a>   |
| TL431BQLP        | ACTIVE                | TO-92        | LP              | 3    | 1000        | Pb-Free (RoHS)          | CU SN                | N / A for Pkg Type           | <a href="#">Purchase Samples</a>       |
| TL431BQLPE3      | ACTIVE                | TO-92        | LP              | 3    | 1000        | Pb-Free (RoHS)          | CU SN                | N / A for Pkg Type           | <a href="#">Purchase Samples</a>       |
| TL431BQLPM       | ACTIVE                | TO-92        | LP              | 3    | 2000        | Pb-Free (RoHS)          | CU SN                | N / A for Pkg Type           | <a href="#">Purchase Samples</a>       |
| TL431BQLPME3     | ACTIVE                | TO-92        | LP              | 3    | 2000        | Pb-Free (RoHS)          | CU SN                | N / A for Pkg Type           | <a href="#">Purchase Samples</a>       |
| TL431BQLPR       | ACTIVE                | TO-92        | LP              | 3    | 2000        | Pb-Free (RoHS)          | CU SN                | N / A for Pkg Type           | <a href="#">Request Free Samples</a>   |
| TL431BQLPRE3     | ACTIVE                | TO-92        | LP              | 3    | 2000        | Pb-Free (RoHS)          | CU SN                | N / A for Pkg Type           | <a href="#">Request Free Samples</a>   |
| TL431BQPK        | ACTIVE                | SOT-89       | PK              | 3    | 1000        | Green (RoHS & no Sb/Br) | CU SN                | Level-2-260C-1 YEAR          | <a href="#">Request Free Samples</a>   |
| TL431BQPKG3      | ACTIVE                | SOT-89       | PK              | 3    | 1000        | Green (RoHS & no Sb/Br) | CU SN                | Level-2-260C-1 YEAR          | <a href="#">Request Free Samples</a>   |
| TL431BQPSR       | PREVIEW               | SO           | PS              | 8    | 2000        | TBD                     | Call TI              | Call TI                      | Samples Not Available                  |

| Orderable Device | Status <sup>(1)</sup> | Package Type | Package Drawing | Pins | Package Qty | Eco Plan <sup>(2)</sup> | Lead/<br>Ball Finish | MSL Peak Temp <sup>(3)</sup> | Samples<br>(Requires Login)            |
|------------------|-----------------------|--------------|-----------------|------|-------------|-------------------------|----------------------|------------------------------|--|
| TL431CD          | ACTIVE                | SOIC         | D               | 8    | 75          | Green (RoHS & no Sb/Br) | CU NIPDAU            | Level-1-260C-UNLIM           | Contact TI Distributor or Sales Office |
| TL431CDBVR       | ACTIVE                | SOT-23       | DBV             | 5    | 3000        | Green (RoHS & no Sb/Br) | CU NIPDAU            | Level-1-260C-UNLIM           | Contact TI Distributor or Sales Office |
| TL431CDBVRE4     | ACTIVE                | SOT-23       | DBV             | 5    | 3000        | Green (RoHS & no Sb/Br) | CU NIPDAU            | Level-1-260C-UNLIM           | Contact TI Distributor or Sales Office |
| TL431CDBVRG4     | ACTIVE                | SOT-23       | DBV             | 5    | 3000        | Green (RoHS & no Sb/Br) | CU NIPDAU            | Level-1-260C-UNLIM           | Contact TI Distributor or Sales Office |
| TL431CDBVT       | ACTIVE                | SOT-23       | DBV             | 5    | 250         | Green (RoHS & no Sb/Br) | CU NIPDAU            | Level-1-260C-UNLIM           | Contact TI Distributor or Sales Office |
| TL431CDBVTE4     | ACTIVE                | SOT-23       | DBV             | 5    | 250         | Green (RoHS & no Sb/Br) | CU NIPDAU            | Level-1-260C-UNLIM           | Contact TI Distributor or Sales Office |
| TL431CDBVTG4     | ACTIVE                | SOT-23       | DBV             | 5    | 250         | Green (RoHS & no Sb/Br) | CU NIPDAU            | Level-1-260C-UNLIM           | Contact TI Distributor or Sales Office |
| TL431CDBZR       | ACTIVE                | SOT-23       | DBZ             | 3    | 3000        | Green (RoHS & no Sb/Br) | CU NIPDAU            | Level-1-260C-UNLIM           | Contact TI Distributor or Sales Office |
| TL431CDBZRG4     | ACTIVE                | SOT-23       | DBZ             | 3    | 3000        | Green (RoHS & no Sb/Br) | CU NIPDAU            | Level-1-260C-UNLIM           | Contact TI Distributor or Sales Office |
| TL431CDBZT       | ACTIVE                | SOT-23       | DBZ             | 3    | 250         | Green (RoHS & no Sb/Br) | CU NIPDAU            | Level-1-260C-UNLIM           | <a href="#">Purchase Samples</a>       |
| TL431CDBZTG4     | ACTIVE                | SOT-23       | DBZ             | 3    | 250         | Green (RoHS & no Sb/Br) | CU NIPDAU            | Level-1-260C-UNLIM           | <a href="#">Purchase Samples</a>       |
| TL431CDG4        | ACTIVE                | SOIC         | D               | 8    | 75          | Green (RoHS & no Sb/Br) | CU NIPDAU            | Level-1-260C-UNLIM           | Contact TI Distributor or Sales Office |
| TL431CDR         | ACTIVE                | SOIC         | D               | 8    | 2500        | Green (RoHS & no Sb/Br) | CU NIPDAU            | Level-1-260C-UNLIM           | Contact TI Distributor or Sales Office |
| TL431CDRG4       | ACTIVE                | SOIC         | D               | 8    | 2500        | Green (RoHS & no Sb/Br) | CU NIPDAU            | Level-1-260C-UNLIM           | Contact TI Distributor or Sales Office |
| TL431CKTPR       | OBSOLETE              | PFM          | KTP             | 2    |             | TBD                     | Call TI              | Call TI                      | Samples Not Available                  |
| TL431CLP         | ACTIVE                | TO-92        | LP              | 3    | 1000        | Pb-Free (RoHS)          | CU SN                | N / A for Pkg Type           | <a href="#">Purchase Samples</a>       |
| TL431CLPB-TDJ    | OBSOLETE              | TO-92        | LP              | 3    |             | TBD                     | Call TI              | Call TI                      | Samples Not Available                  |
| TL431CLPM        | ACTIVE                | TO-92        | LP              | 3    | 2000        | Pb-Free (RoHS)          | CU SN                | N / A for Pkg Type           | <a href="#">Purchase Samples</a>       |
| TL431CLPR        | ACTIVE                | TO-92        | LP              | 3    | 2000        | Pb-Free (RoHS)          | CU SN                | N / A for Pkg Type           | Contact TI Distributor or Sales Office |

| Orderable Device | Status <sup>(1)</sup> | Package Type | Package Drawing | Pins | Package Qty | Eco Plan <sup>(2)</sup>    | Lead/<br>Ball Finish | MSL Peak Temp <sup>(3)</sup> | Samples<br>(Requires Login)               |
|------------------|-----------------------|--------------|-----------------|------|-------------|----------------------------|----------------------|------------------------------|---|
| TL431CP          | ACTIVE                | PDIP         | P               | 8    | 50          | Pb-Free (RoHS)             | CU NIPDAU            | N / A for Pkg Type           | Contact TI Distributor<br>or Sales Office |
| TL431CPE4        | ACTIVE                | PDIP         | P               | 8    | 50          | Pb-Free (RoHS)             | CU NIPDAU            | N / A for Pkg Type           | Contact TI Distributor<br>or Sales Office |
| TL431CPK         | ACTIVE                | SOT-89       | PK              | 3    | 1000        | Green (RoHS<br>& no Sb/Br) | CU SN                | Level-2-260C-1 YEAR          | Contact TI Distributor<br>or Sales Office |
| TL431CPKG3       | ACTIVE                | SOT-89       | PK              | 3    | 1000        | Green (RoHS<br>& no Sb/Br) | CU SN                | Level-2-260C-1 YEAR          | Contact TI Distributor<br>or Sales Office |
| TL431CPSLE       | OBSOLETE              | SO           | PS              | 8    |             | TBD                        | Call TI              | Call TI                      | Replaced by TL431CPSR                     |
| TL431CPSR        | ACTIVE                | SO           | PS              | 8    | 2000        | Green (RoHS<br>& no Sb/Br) | CU NIPDAU            | Level-1-260C-UNLIM           | <a href="#">Purchase Samples</a>          |
| TL431CPSRG4      | ACTIVE                | SO           | PS              | 8    | 2000        | Green (RoHS<br>& no Sb/Br) | CU NIPDAU            | Level-1-260C-UNLIM           | <a href="#">Purchase Samples</a>          |
| TL431CPW         | ACTIVE                | TSSOP        | PW              | 8    | 150         | Green (RoHS<br>& no Sb/Br) | CU NIPDAU            | Level-1-260C-UNLIM           | <a href="#">Purchase Samples</a>          |
| TL431CPWE4       | ACTIVE                | TSSOP        | PW              | 8    | 150         | Green (RoHS<br>& no Sb/Br) | CU NIPDAU            | Level-1-260C-UNLIM           | <a href="#">Purchase Samples</a>          |
| TL431CPWG4       | ACTIVE                | TSSOP        | PW              | 8    | 150         | Green (RoHS<br>& no Sb/Br) | CU NIPDAU            | Level-1-260C-UNLIM           | <a href="#">Purchase Samples</a>          |
| TL431CPWLE       | OBSOLETE              | TSSOP        | PW              | 8    |             | TBD                        | Call TI              | Call TI                      | Replaced by TL431CPWR                     |
| TL431CPWR        | ACTIVE                | TSSOP        | PW              | 8    | 2000        | Green (RoHS<br>& no Sb/Br) | CU NIPDAU            | Level-1-260C-UNLIM           | Contact TI Distributor<br>or Sales Office |
| TL431CPWRE4      | ACTIVE                | TSSOP        | PW              | 8    | 2000        | Green (RoHS<br>& no Sb/Br) | CU NIPDAU            | Level-1-260C-UNLIM           | Contact TI Distributor<br>or Sales Office |
| TL431CPWRG4      | ACTIVE                | TSSOP        | PW              | 8    | 2000        | Green (RoHS<br>& no Sb/Br) | CU NIPDAU            | Level-1-260C-UNLIM           | Contact TI Distributor<br>or Sales Office |
| TL431ID          | ACTIVE                | SOIC         | D               | 8    | 75          | Green (RoHS<br>& no Sb/Br) | CU NIPDAU            | Level-1-260C-UNLIM           | Contact TI Distributor<br>or Sales Office |
| TL431IDBVR       | ACTIVE                | SOT-23       | DBV             | 5    | 3000        | Green (RoHS<br>& no Sb/Br) | CU NIPDAU            | Level-1-260C-UNLIM           | Contact TI Distributor<br>or Sales Office |
| TL431IDBVRE4     | ACTIVE                | SOT-23       | DBV             | 5    | 3000        | Green (RoHS<br>& no Sb/Br) | CU NIPDAU            | Level-1-260C-UNLIM           | Contact TI Distributor<br>or Sales Office |
| TL431IDBVRG4     | ACTIVE                | SOT-23       | DBV             | 5    | 3000        | Green (RoHS<br>& no Sb/Br) | CU NIPDAU            | Level-1-260C-UNLIM           | Contact TI Distributor<br>or Sales Office |
| TL431IDBVT       | ACTIVE                | SOT-23       | DBV             | 5    | 250         | Green (RoHS<br>& no Sb/Br) | CU NIPDAU            | Level-1-260C-UNLIM           | <a href="#">Request Free Samples</a>      |

| Orderable Device | Status <sup>(1)</sup> | Package Type | Package Drawing | Pins | Package Qty | Eco Plan <sup>(2)</sup> | Lead/<br>Ball Finish | MSL Peak Temp <sup>(3)</sup> | Samples<br>(Requires Login)            |
|------------------|-----------------------|--------------|-----------------|------|-------------|-------------------------|----------------------|------------------------------|--|
| TL431IDBVTE4     | ACTIVE                | SOT-23       | DBV             | 5    | 250         | Green (RoHS & no Sb/Br) | CU NIPDAU            | Level-1-260C-UNLIM           | <a href="#">Request Free Samples</a>   |
| TL431IDBVTG4     | ACTIVE                | SOT-23       | DBV             | 5    | 250         | Green (RoHS & no Sb/Br) | CU NIPDAU            | Level-1-260C-UNLIM           | <a href="#">Request Free Samples</a>   |
| TL431IDBZR       | ACTIVE                | SOT-23       | DBZ             | 3    | 3000        | Green (RoHS & no Sb/Br) | CU NIPDAU            | Level-1-260C-UNLIM           | Contact TI Distributor or Sales Office |
| TL431IDBZRG4     | ACTIVE                | SOT-23       | DBZ             | 3    | 3000        | Green (RoHS & no Sb/Br) | CU NIPDAU            | Level-1-260C-UNLIM           | Contact TI Distributor or Sales Office |
| TL431IDBZT       | ACTIVE                | SOT-23       | DBZ             | 3    | 250         | Green (RoHS & no Sb/Br) | CU NIPDAU            | Level-1-260C-UNLIM           | Contact TI Distributor or Sales Office |
| TL431IDBZTG4     | ACTIVE                | SOT-23       | DBZ             | 3    | 250         | Green (RoHS & no Sb/Br) | CU NIPDAU            | Level-1-260C-UNLIM           | Contact TI Distributor or Sales Office |
| TL431IDG4        | ACTIVE                | SOIC         | D               | 8    | 75          | Green (RoHS & no Sb/Br) | CU NIPDAU            | Level-1-260C-UNLIM           | Contact TI Distributor or Sales Office |
| TL431IDR         | ACTIVE                | SOIC         | D               | 8    | 2500        | Green (RoHS & no Sb/Br) | CU NIPDAU            | Level-1-260C-UNLIM           | Contact TI Distributor or Sales Office |
| TL431IDRG4       | ACTIVE                | SOIC         | D               | 8    | 2500        | Green (RoHS & no Sb/Br) | CU NIPDAU            | Level-1-260C-UNLIM           | Contact TI Distributor or Sales Office |
| TL431ILP         | ACTIVE                | TO-92        | LP              | 3    | 1000        | Pb-Free (RoHS)          | CU SN                | N / A for Pkg Type           | Contact TI Distributor or Sales Office |
| TL431ILPM        | OBSOLETE              | TO-92        | LP              | 3    |             | TBD                     | Call TI              | Call TI                      | Samples Not Available                  |
| TL431ILPR        | ACTIVE                | TO-92        | LP              | 3    | 2000        | Pb-Free (RoHS)          | CU SN                | N / A for Pkg Type           | Contact TI Distributor or Sales Office |
| TL431IP          | ACTIVE                | PDIP         | P               | 8    | 50          | Pb-Free (RoHS)          | CU NIPDAU            | N / A for Pkg Type           | Contact TI Distributor or Sales Office |
| TL431IPE4        | ACTIVE                | PDIP         | P               | 8    | 50          | Pb-Free (RoHS)          | CU NIPDAU            | N / A for Pkg Type           | Contact TI Distributor or Sales Office |
| TL431IPK         | ACTIVE                | SOT-89       | PK              | 3    | 1000        | Green (RoHS & no Sb/Br) | CU SN                | Level-2-260C-1 YEAR          | Contact TI Distributor or Sales Office |
| TL431IPKG3       | ACTIVE                | SOT-89       | PK              | 3    | 1000        | Green (RoHS & no Sb/Br) | CU SN                | Level-2-260C-1 YEAR          | Contact TI Distributor or Sales Office |
| TL431MFKB        | OBSOLETE              | LCCC         | FK              | 20   |             | TBD                     | Call TI              | Call TI                      | Samples Not Available                  |
| TL431MJG         | OBSOLETE              | CDIP         | JG              | 8    |             | TBD                     | Call TI              | Call TI                      | Samples Not Available                  |
| TL431MJGB        | OBSOLETE              | CDIP         | JG              | 8    |             | TBD                     | Call TI              | Call TI                      | Samples Not Available                  |

| Orderable Device | Status <sup>(1)</sup> | Package Type | Package Drawing | Pins | Package Qty | Eco Plan <sup>(2)</sup>    | Lead/<br>Ball Finish | MSL Peak Temp <sup>(3)</sup> | Samples<br>(Requires Login)               |
|------------------|-----------------------|--------------|-----------------|------|-------------|----------------------------|----------------------|------------------------------|---|
| TL431QD          | ACTIVE                | SOIC         | D               | 8    | 75          | Green (RoHS<br>& no Sb/Br) | CU NIPDAU            | Level-1-260C-UNLIM           | <a href="#">Purchase Samples</a>          |
| TL431QDBVR       | ACTIVE                | SOT-23       | DBV             | 5    | 3000        | Green (RoHS<br>& no Sb/Br) | CU NIPDAU            | Level-1-260C-UNLIM           | Contact TI Distributor<br>or Sales Office |
| TL431QDBVRE4     | ACTIVE                | SOT-23       | DBV             | 5    | 3000        | Green (RoHS<br>& no Sb/Br) | CU NIPDAU            | Level-1-260C-UNLIM           | Contact TI Distributor<br>or Sales Office |
| TL431QDBVRG4     | ACTIVE                | SOT-23       | DBV             | 5    | 3000        | Green (RoHS<br>& no Sb/Br) | CU NIPDAU            | Level-1-260C-UNLIM           | Contact TI Distributor<br>or Sales Office |
| TL431QDBVT       | ACTIVE                | SOT-23       | DBV             | 5    | 250         | Green (RoHS<br>& no Sb/Br) | CU NIPDAU            | Level-1-260C-UNLIM           | <a href="#">Purchase Samples</a>          |
| TL431QDBVTE4     | ACTIVE                | SOT-23       | DBV             | 5    | 250         | Green (RoHS<br>& no Sb/Br) | CU NIPDAU            | Level-1-260C-UNLIM           | <a href="#">Purchase Samples</a>          |
| TL431QDBVTG4     | ACTIVE                | SOT-23       | DBV             | 5    | 250         | Green (RoHS<br>& no Sb/Br) | CU NIPDAU            | Level-1-260C-UNLIM           | <a href="#">Purchase Samples</a>          |
| TL431QDBZR       | ACTIVE                | SOT-23       | DBZ             | 3    | 3000        | Green (RoHS<br>& no Sb/Br) | CU NIPDAU            | Level-1-260C-UNLIM           | Contact TI Distributor<br>or Sales Office |
| TL431QDBZRG4     | ACTIVE                | SOT-23       | DBZ             | 3    | 3000        | Green (RoHS<br>& no Sb/Br) | CU NIPDAU            | Level-1-260C-UNLIM           | Contact TI Distributor<br>or Sales Office |
| TL431QDBZT       | ACTIVE                | SOT-23       | DBZ             | 3    | 250         | Green (RoHS<br>& no Sb/Br) | CU NIPDAU            | Level-1-260C-UNLIM           | <a href="#">Purchase Samples</a>          |
| TL431QDBZTG4     | ACTIVE                | SOT-23       | DBZ             | 3    | 250         | Green (RoHS<br>& no Sb/Br) | CU NIPDAU            | Level-1-260C-UNLIM           | <a href="#">Purchase Samples</a>          |
| TL431QDCKR       | ACTIVE                | SC70         | DCK             | 6    | 3000        | Green (RoHS<br>& no Sb/Br) | CU NIPDAU            | Level-1-260C-UNLIM           | <a href="#">Request Free Samples</a>      |
| TL431QDCKRE4     | ACTIVE                | SC70         | DCK             | 6    | 3000        | Green (RoHS<br>& no Sb/Br) | CU NIPDAU            | Level-1-260C-UNLIM           | <a href="#">Request Free Samples</a>      |
| TL431QDCKRG4     | ACTIVE                | SC70         | DCK             | 6    | 3000        | Green (RoHS<br>& no Sb/Br) | CU NIPDAU            | Level-1-260C-UNLIM           | <a href="#">Request Free Samples</a>      |
| TL431QDCKT       | ACTIVE                | SC70         | DCK             | 6    | 250         | Green (RoHS<br>& no Sb/Br) | CU NIPDAU            | Level-1-260C-UNLIM           | <a href="#">Purchase Samples</a>          |
| TL431QDCKTE4     | ACTIVE                | SC70         | DCK             | 6    | 250         | Green (RoHS<br>& no Sb/Br) | CU NIPDAU            | Level-1-260C-UNLIM           | <a href="#">Purchase Samples</a>          |
| TL431QDCKTG4     | ACTIVE                | SC70         | DCK             | 6    | 250         | Green (RoHS<br>& no Sb/Br) | CU NIPDAU            | Level-1-260C-UNLIM           | <a href="#">Purchase Samples</a>          |
| TL431QDE4        | ACTIVE                | SOIC         | D               | 8    | 75          | Green (RoHS<br>& no Sb/Br) | CU NIPDAU            | Level-1-260C-UNLIM           | <a href="#">Purchase Samples</a>          |

| Orderable Device | Status <sup>(1)</sup> | Package Type | Package Drawing | Pins | Package Qty | Eco Plan <sup>(2)</sup> | Lead/<br>Ball Finish | MSL Peak Temp <sup>(3)</sup> | Samples<br>(Requires Login)            |
|------------------|-----------------------|--------------|-----------------|------|-------------|-------------------------|----------------------|------------------------------|--|
| TL431QDG4        | ACTIVE                | SOIC         | D               | 8    | 75          | Green (RoHS & no Sb/Br) | CU NIPDAU            | Level-1-260C-UNLIM           | <a href="#">Purchase Samples</a>       |
| TL431QDR         | ACTIVE                | SOIC         | D               | 8    | 2500        | Green (RoHS & no Sb/Br) | CU NIPDAU            | Level-1-260C-UNLIM           | <a href="#">Request Free Samples</a>   |
| TL431QDRE4       | ACTIVE                | SOIC         | D               | 8    | 2500        | Green (RoHS & no Sb/Br) | CU NIPDAU            | Level-1-260C-UNLIM           | <a href="#">Request Free Samples</a>   |
| TL431QDRG4       | ACTIVE                | SOIC         | D               | 8    | 2500        | Green (RoHS & no Sb/Br) | CU NIPDAU            | Level-1-260C-UNLIM           | <a href="#">Request Free Samples</a>   |
| TL431QPK         | ACTIVE                | SOT-89       | PK              | 3    | 1000        | Green (RoHS & no Sb/Br) | CU SN                | Level-2-260C-1 YEAR          | <a href="#">Request Free Samples</a>   |
| TL431QPKG3       | ACTIVE                | SOT-89       | PK              | 3    | 1000        | Green (RoHS & no Sb/Br) | CU SN                | Level-2-260C-1 YEAR          | <a href="#">Request Free Samples</a>   |
| TL432ACDBVR      | ACTIVE                | SOT-23       | DBV             | 5    | 3000        | Green (RoHS & no Sb/Br) | CU NIPDAU            | Level-1-260C-UNLIM           | Contact TI Distributor or Sales Office |
| TL432ACDBVRE4    | ACTIVE                | SOT-23       | DBV             | 5    | 3000        | Green (RoHS & no Sb/Br) | CU NIPDAU            | Level-1-260C-UNLIM           | Contact TI Distributor or Sales Office |
| TL432ACDBVRG4    | ACTIVE                | SOT-23       | DBV             | 5    | 3000        | Green (RoHS & no Sb/Br) | CU NIPDAU            | Level-1-260C-UNLIM           | Contact TI Distributor or Sales Office |
| TL432ACDBZR      | ACTIVE                | SOT-23       | DBZ             | 3    | 3000        | Green (RoHS & no Sb/Br) | CU NIPDAU            | Level-1-260C-UNLIM           | Contact TI Distributor or Sales Office |
| TL432ACDBZRG4    | ACTIVE                | SOT-23       | DBZ             | 3    | 3000        | Green (RoHS & no Sb/Br) | CU NIPDAU            | Level-1-260C-UNLIM           | Contact TI Distributor or Sales Office |
| TL432ACDBZT      | ACTIVE                | SOT-23       | DBZ             | 3    | 250         | Green (RoHS & no Sb/Br) | CU NIPDAU            | Level-1-260C-UNLIM           | Contact TI Distributor or Sales Office |
| TL432ACDBZTG4    | ACTIVE                | SOT-23       | DBZ             | 3    | 250         | Green (RoHS & no Sb/Br) | CU NIPDAU            | Level-1-260C-UNLIM           | Contact TI Distributor or Sales Office |
| TL432ACPK        | ACTIVE                | SOT-89       | PK              | 3    | 1000        | Green (RoHS & no Sb/Br) | CU SN                | Level-2-260C-1 YEAR          | <a href="#">Request Free Samples</a>   |
| TL432ACPKG3      | ACTIVE                | SOT-89       | PK              | 3    | 1000        | Green (RoHS & no Sb/Br) | CU SN                | Level-2-260C-1 YEAR          | <a href="#">Request Free Samples</a>   |
| TL432AIDBVR      | ACTIVE                | SOT-23       | DBV             | 5    | 3000        | Green (RoHS & no Sb/Br) | CU NIPDAU            | Level-1-260C-UNLIM           | Contact TI Distributor or Sales Office |
| TL432AIDBVRE4    | ACTIVE                | SOT-23       | DBV             | 5    | 3000        | Green (RoHS & no Sb/Br) | CU NIPDAU            | Level-1-260C-UNLIM           | Contact TI Distributor or Sales Office |
| TL432AIDBVRG4    | ACTIVE                | SOT-23       | DBV             | 5    | 3000        | Green (RoHS & no Sb/Br) | CU NIPDAU            | Level-1-260C-UNLIM           | Contact TI Distributor or Sales Office |

| Orderable Device | Status <sup>(1)</sup> | Package Type | Package Drawing | Pins | Package Qty | Eco Plan <sup>(2)</sup> | Lead/<br>Ball Finish | MSL Peak Temp <sup>(3)</sup> | Samples<br>(Requires Login)            |
|------------------|-----------------------|--------------|-----------------|------|-------------|-------------------------|----------------------|------------------------------|--|
| TL432AIDBZR      | ACTIVE                | SOT-23       | DBZ             | 3    | 3000        | Green (RoHS & no Sb/Br) | CU NIPDAU            | Level-1-260C-UNLIM           | Contact TI Distributor or Sales Office |
| TL432AIDBZRG4    | ACTIVE                | SOT-23       | DBZ             | 3    | 3000        | Green (RoHS & no Sb/Br) | CU NIPDAU            | Level-1-260C-UNLIM           | Contact TI Distributor or Sales Office |
| TL432AIDBZT      | ACTIVE                | SOT-23       | DBZ             | 3    | 250         | Green (RoHS & no Sb/Br) | CU NIPDAU            | Level-1-260C-UNLIM           | <a href="#">Purchase Samples</a>       |
| TL432AIDBZTG4    | ACTIVE                | SOT-23       | DBZ             | 3    | 250         | Green (RoHS & no Sb/Br) | CU NIPDAU            | Level-1-260C-UNLIM           | <a href="#">Purchase Samples</a>       |
| TL432AIPK        | ACTIVE                | SOT-89       | PK              | 3    | 1000        | Green (RoHS & no Sb/Br) | CU SN                | Level-2-260C-1 YEAR          | <a href="#">Request Free Samples</a>   |
| TL432AIPKG3      | ACTIVE                | SOT-89       | PK              | 3    | 1000        | Green (RoHS & no Sb/Br) | CU SN                | Level-2-260C-1 YEAR          | <a href="#">Request Free Samples</a>   |
| TL432AQDBVR      | ACTIVE                | SOT-23       | DBV             | 5    | 3000        | Green (RoHS & no Sb/Br) | CU NIPDAU            | Level-1-260C-UNLIM           | Contact TI Distributor or Sales Office |
| TL432AQDBVRE4    | ACTIVE                | SOT-23       | DBV             | 5    | 3000        | Green (RoHS & no Sb/Br) | CU NIPDAU            | Level-1-260C-UNLIM           | Contact TI Distributor or Sales Office |
| TL432AQDBVRG4    | ACTIVE                | SOT-23       | DBV             | 5    | 3000        | Green (RoHS & no Sb/Br) | CU NIPDAU            | Level-1-260C-UNLIM           | Contact TI Distributor or Sales Office |
| TL432AQDBVT      | ACTIVE                | SOT-23       | DBV             | 5    | 250         | Green (RoHS & no Sb/Br) | CU NIPDAU            | Level-1-260C-UNLIM           | <a href="#">Purchase Samples</a>       |
| TL432AQDBVTE4    | ACTIVE                | SOT-23       | DBV             | 5    | 250         | Green (RoHS & no Sb/Br) | CU NIPDAU            | Level-1-260C-UNLIM           | <a href="#">Purchase Samples</a>       |
| TL432AQDBVTG4    | ACTIVE                | SOT-23       | DBV             | 5    | 250         | Green (RoHS & no Sb/Br) | CU NIPDAU            | Level-1-260C-UNLIM           | <a href="#">Purchase Samples</a>       |
| TL432AQDBZR      | ACTIVE                | SOT-23       | DBZ             | 3    | 3000        | Green (RoHS & no Sb/Br) | CU NIPDAU            | Level-1-260C-UNLIM           | Contact TI Distributor or Sales Office |
| TL432AQDBZRG4    | ACTIVE                | SOT-23       | DBZ             | 3    | 3000        | Green (RoHS & no Sb/Br) | CU NIPDAU            | Level-1-260C-UNLIM           | Contact TI Distributor or Sales Office |
| TL432AQDBZT      | ACTIVE                | SOT-23       | DBZ             | 3    | 250         | Green (RoHS & no Sb/Br) | CU NIPDAU            | Level-1-260C-UNLIM           | <a href="#">Purchase Samples</a>       |
| TL432AQDBZTG4    | ACTIVE                | SOT-23       | DBZ             | 3    | 250         | Green (RoHS & no Sb/Br) | CU NIPDAU            | Level-1-260C-UNLIM           | <a href="#">Purchase Samples</a>       |
| TL432AQPK        | ACTIVE                | SOT-89       | PK              | 3    | 1000        | Green (RoHS & no Sb/Br) | CU SN                | Level-2-260C-1 YEAR          | <a href="#">Request Free Samples</a>   |
| TL432AQPKG3      | ACTIVE                | SOT-89       | PK              | 3    | 1000        | Green (RoHS & no Sb/Br) | CU SN                | Level-2-260C-1 YEAR          | <a href="#">Request Free Samples</a>   |

| Orderable Device | Status <sup>(1)</sup> | Package Type | Package Drawing | Pins | Package Qty | Eco Plan <sup>(2)</sup> | Lead/<br>Ball Finish | MSL Peak Temp <sup>(3)</sup> | Samples<br>(Requires Login)            |
|------------------|-----------------------|--------------|-----------------|------|-------------|-------------------------|----------------------|------------------------------|--|
| TL432BCDBVR      | ACTIVE                | SOT-23       | DBV             | 5    | 3000        | Green (RoHS & no Sb/Br) | CU NIPDAU            | Level-1-260C-UNLIM           | Contact TI Distributor or Sales Office |
| TL432BCDBVRE4    | ACTIVE                | SOT-23       | DBV             | 5    | 3000        | Green (RoHS & no Sb/Br) | CU NIPDAU            | Level-1-260C-UNLIM           | Contact TI Distributor or Sales Office |
| TL432BCDBVRG4    | ACTIVE                | SOT-23       | DBV             | 5    | 3000        | Green (RoHS & no Sb/Br) | CU NIPDAU            | Level-1-260C-UNLIM           | Contact TI Distributor or Sales Office |
| TL432BCDBZR      | ACTIVE                | SOT-23       | DBZ             | 3    | 3000        | Green (RoHS & no Sb/Br) | CU NIPDAU            | Level-1-260C-UNLIM           | Contact TI Distributor or Sales Office |
| TL432BCDBZRG4    | ACTIVE                | SOT-23       | DBZ             | 3    | 3000        | Green (RoHS & no Sb/Br) | CU NIPDAU            | Level-1-260C-UNLIM           | Contact TI Distributor or Sales Office |
| TL432BCDBZT      | ACTIVE                | SOT-23       | DBZ             | 3    | 250         | Green (RoHS & no Sb/Br) | CU NIPDAU            | Level-1-260C-UNLIM           | <a href="#">Purchase Samples</a>       |
| TL432BCDBZTG4    | ACTIVE                | SOT-23       | DBZ             | 3    | 250         | Green (RoHS & no Sb/Br) | CU NIPDAU            | Level-1-260C-UNLIM           | <a href="#">Purchase Samples</a>       |
| TL432BCPK        | ACTIVE                | SOT-89       | PK              | 3    | 1000        | Green (RoHS & no Sb/Br) | CU SN                | Level-2-260C-1 YEAR          | <a href="#">Request Free Samples</a>   |
| TL432BCPKG3      | ACTIVE                | SOT-89       | PK              | 3    | 1000        | Green (RoHS & no Sb/Br) | CU SN                | Level-2-260C-1 YEAR          | <a href="#">Request Free Samples</a>   |
| TL432BIDBVR      | ACTIVE                | SOT-23       | DBV             | 5    | 3000        | Green (RoHS & no Sb/Br) | CU NIPDAU            | Level-1-260C-UNLIM           | Contact TI Distributor or Sales Office |
| TL432BIDBVRE4    | ACTIVE                | SOT-23       | DBV             | 5    | 3000        | Green (RoHS & no Sb/Br) | CU NIPDAU            | Level-1-260C-UNLIM           | Contact TI Distributor or Sales Office |
| TL432BIDBVRG4    | ACTIVE                | SOT-23       | DBV             | 5    | 3000        | Green (RoHS & no Sb/Br) | CU NIPDAU            | Level-1-260C-UNLIM           | Contact TI Distributor or Sales Office |
| TL432BIDBZR      | ACTIVE                | SOT-23       | DBZ             | 3    | 3000        | Green (RoHS & no Sb/Br) | CU NIPDAU            | Level-1-260C-UNLIM           | Contact TI Distributor or Sales Office |
| TL432BIDBZRG4    | ACTIVE                | SOT-23       | DBZ             | 3    | 3000        | Green (RoHS & no Sb/Br) | CU NIPDAU            | Level-1-260C-UNLIM           | Contact TI Distributor or Sales Office |
| TL432BIDBZT      | ACTIVE                | SOT-23       | DBZ             | 3    | 250         | Green (RoHS & no Sb/Br) | CU NIPDAU            | Level-1-260C-UNLIM           | <a href="#">Purchase Samples</a>       |
| TL432BIDBZTG4    | ACTIVE                | SOT-23       | DBZ             | 3    | 250         | Green (RoHS & no Sb/Br) | CU NIPDAU            | Level-1-260C-UNLIM           | <a href="#">Purchase Samples</a>       |
| TL432BIPK        | ACTIVE                | SOT-89       | PK              | 3    | 1000        | Green (RoHS & no Sb/Br) | CU SN                | Level-2-260C-1 YEAR          | <a href="#">Request Free Samples</a>   |
| TL432BIPKG3      | ACTIVE                | SOT-89       | PK              | 3    | 1000        | Green (RoHS & no Sb/Br) | CU SN                | Level-2-260C-1 YEAR          | <a href="#">Request Free Samples</a>   |



| Orderable Device | Status <sup>(1)</sup> | Package Type | Package Drawing | Pins | Package Qty | Eco Plan <sup>(2)</sup> | Lead/<br>Ball Finish | MSL Peak Temp <sup>(3)</sup> | Samples<br>(Requires Login)            |
|------------------|-----------------------|--------------|-----------------|------|-------------|-------------------------|----------------------|------------------------------|--|
| TL432BQDBVR      | ACTIVE                | SOT-23       | DBV             | 5    | 3000        | Green (RoHS & no Sb/Br) | CU NIPDAU            | Level-1-260C-UNLIM           | Contact TI Distributor or Sales Office |
| TL432BQDBVRE4    | ACTIVE                | SOT-23       | DBV             | 5    | 3000        | Green (RoHS & no Sb/Br) | CU NIPDAU            | Level-1-260C-UNLIM           | Contact TI Distributor or Sales Office |
| TL432BQDBVRG4    | ACTIVE                | SOT-23       | DBV             | 5    | 3000        | Green (RoHS & no Sb/Br) | CU NIPDAU            | Level-1-260C-UNLIM           | Contact TI Distributor or Sales Office |
| TL432BQDBVT      | ACTIVE                | SOT-23       | DBV             | 5    | 250         | Green (RoHS & no Sb/Br) | CU NIPDAU            | Level-1-260C-UNLIM           | <a href="#">Purchase Samples</a>       |
| TL432BQDBVTE4    | ACTIVE                | SOT-23       | DBV             | 5    | 250         | Green (RoHS & no Sb/Br) | CU NIPDAU            | Level-1-260C-UNLIM           | <a href="#">Purchase Samples</a>       |
| TL432BQDBVTG4    | ACTIVE                | SOT-23       | DBV             | 5    | 250         | Green (RoHS & no Sb/Br) | CU NIPDAU            | Level-1-260C-UNLIM           | <a href="#">Purchase Samples</a>       |
| TL432BQDBZR      | ACTIVE                | SOT-23       | DBZ             | 3    | 3000        | Green (RoHS & no Sb/Br) | CU NIPDAU            | Level-1-260C-UNLIM           | Contact TI Distributor or Sales Office |
| TL432BQDBZRG4    | ACTIVE                | SOT-23       | DBZ             | 3    | 3000        | Green (RoHS & no Sb/Br) | CU NIPDAU            | Level-1-260C-UNLIM           | Contact TI Distributor or Sales Office |
| TL432BQDBZT      | PREVIEW               | SOT-23       | DBZ             | 3    | 250         | TBD                     | Call TI              | Call TI                      | Samples Not Available                  |
| TL432BQPK        | ACTIVE                | SOT-89       | PK              | 3    | 1000        | Green (RoHS & no Sb/Br) | CU SN                | Level-2-260C-1 YEAR          | <a href="#">Request Free Samples</a>   |
| TL432BQPKG3      | ACTIVE                | SOT-89       | PK              | 3    | 1000        | Green (RoHS & no Sb/Br) | CU SN                | Level-2-260C-1 YEAR          | <a href="#">Request Free Samples</a>   |
| TL432CDBVR       | ACTIVE                | SOT-23       | DBV             | 5    | 3000        | Green (RoHS & no Sb/Br) | CU NIPDAU            | Level-1-260C-UNLIM           | Contact TI Distributor or Sales Office |
| TL432CDBVRE4     | ACTIVE                | SOT-23       | DBV             | 5    | 3000        | Green (RoHS & no Sb/Br) | CU NIPDAU            | Level-1-260C-UNLIM           | Contact TI Distributor or Sales Office |
| TL432CDBVRG4     | ACTIVE                | SOT-23       | DBV             | 5    | 3000        | Green (RoHS & no Sb/Br) | CU NIPDAU            | Level-1-260C-UNLIM           | Contact TI Distributor or Sales Office |
| TL432CDBZR       | ACTIVE                | SOT-23       | DBZ             | 3    | 3000        | Green (RoHS & no Sb/Br) | CU NIPDAU            | Level-1-260C-UNLIM           | Contact TI Distributor or Sales Office |
| TL432CDBZRG4     | ACTIVE                | SOT-23       | DBZ             | 3    | 3000        | Green (RoHS & no Sb/Br) | CU NIPDAU            | Level-1-260C-UNLIM           | Contact TI Distributor or Sales Office |
| TL432CDBZT       | ACTIVE                | SOT-23       | DBZ             | 3    | 250         | Green (RoHS & no Sb/Br) | CU NIPDAU            | Level-1-260C-UNLIM           | <a href="#">Purchase Samples</a>       |
| TL432CDBZTG4     | ACTIVE                | SOT-23       | DBZ             | 3    | 250         | Green (RoHS & no Sb/Br) | CU NIPDAU            | Level-1-260C-UNLIM           | <a href="#">Purchase Samples</a>       |

| Orderable Device | Status <sup>(1)</sup> | Package Type | Package Drawing | Pins | Package Qty | Eco Plan <sup>(2)</sup>    | Lead/<br>Ball Finish | MSL Peak Temp <sup>(3)</sup> | Samples<br>(Requires Login)               |
|------------------|-----------------------|--------------|-----------------|------|-------------|----------------------------|----------------------|------------------------------|---|
| TL432CPK         | ACTIVE                | SOT-89       | PK              | 3    | 1000        | Green (RoHS<br>& no Sb/Br) | CU SN                | Level-2-260C-1 YEAR          | <a href="#">Request Free Samples</a>      |
| TL432CPKG3       | ACTIVE                | SOT-89       | PK              | 3    | 1000        | Green (RoHS<br>& no Sb/Br) | CU SN                | Level-2-260C-1 YEAR          | <a href="#">Request Free Samples</a>      |
| TL432IDBVR       | ACTIVE                | SOT-23       | DBV             | 5    | 3000        | Green (RoHS<br>& no Sb/Br) | CU NIPDAU            | Level-1-260C-UNLIM           | Contact TI Distributor<br>or Sales Office |
| TL432IDBVRE4     | ACTIVE                | SOT-23       | DBV             | 5    | 3000        | Green (RoHS<br>& no Sb/Br) | CU NIPDAU            | Level-1-260C-UNLIM           | Contact TI Distributor<br>or Sales Office |
| TL432IDBVRG4     | ACTIVE                | SOT-23       | DBV             | 5    | 3000        | Green (RoHS<br>& no Sb/Br) | CU NIPDAU            | Level-1-260C-UNLIM           | Contact TI Distributor<br>or Sales Office |
| TL432IDBZR       | ACTIVE                | SOT-23       | DBZ             | 3    | 3000        | Green (RoHS<br>& no Sb/Br) | CU NIPDAU            | Level-1-260C-UNLIM           | Contact TI Distributor<br>or Sales Office |
| TL432IDBZRG4     | ACTIVE                | SOT-23       | DBZ             | 3    | 3000        | Green (RoHS<br>& no Sb/Br) | CU NIPDAU            | Level-1-260C-UNLIM           | Contact TI Distributor<br>or Sales Office |
| TL432IDBZT       | ACTIVE                | SOT-23       | DBZ             | 3    | 250         | Green (RoHS<br>& no Sb/Br) | CU NIPDAU            | Level-1-260C-UNLIM           | <a href="#">Purchase Samples</a>          |
| TL432IDBZTG4     | ACTIVE                | SOT-23       | DBZ             | 3    | 250         | Green (RoHS<br>& no Sb/Br) | CU NIPDAU            | Level-1-260C-UNLIM           | <a href="#">Purchase Samples</a>          |
| TL432IPK         | ACTIVE                | SOT-89       | PK              | 3    | 1000        | Green (RoHS<br>& no Sb/Br) | CU SN                | Level-2-260C-1 YEAR          | <a href="#">Request Free Samples</a>      |
| TL432IPKG3       | ACTIVE                | SOT-89       | PK              | 3    | 1000        | Green (RoHS<br>& no Sb/Br) | CU SN                | Level-2-260C-1 YEAR          | <a href="#">Request Free Samples</a>      |
| TL432QDBVR       | ACTIVE                | SOT-23       | DBV             | 5    | 3000        | Green (RoHS<br>& no Sb/Br) | CU NIPDAU            | Level-1-260C-UNLIM           | Contact TI Distributor<br>or Sales Office |
| TL432QDBVRE4     | ACTIVE                | SOT-23       | DBV             | 5    | 3000        | Green (RoHS<br>& no Sb/Br) | CU NIPDAU            | Level-1-260C-UNLIM           | Contact TI Distributor<br>or Sales Office |
| TL432QDBVRG4     | ACTIVE                | SOT-23       | DBV             | 5    | 3000        | Green (RoHS<br>& no Sb/Br) | CU NIPDAU            | Level-1-260C-UNLIM           | Contact TI Distributor<br>or Sales Office |
| TL432QDBVT       | ACTIVE                | SOT-23       | DBV             | 5    | 250         | Green (RoHS<br>& no Sb/Br) | CU NIPDAU            | Level-1-260C-UNLIM           | <a href="#">Purchase Samples</a>          |
| TL432QDBVTE4     | ACTIVE                | SOT-23       | DBV             | 5    | 250         | Green (RoHS<br>& no Sb/Br) | CU NIPDAU            | Level-1-260C-UNLIM           | <a href="#">Purchase Samples</a>          |
| TL432QDBVTG4     | ACTIVE                | SOT-23       | DBV             | 5    | 250         | Green (RoHS<br>& no Sb/Br) | CU NIPDAU            | Level-1-260C-UNLIM           | <a href="#">Purchase Samples</a>          |
| TL432QDBZR       | ACTIVE                | SOT-23       | DBZ             | 3    | 3000        | Green (RoHS<br>& no Sb/Br) | CU NIPDAU            | Level-1-260C-UNLIM           | Contact TI Distributor<br>or Sales Office |

| Orderable Device | Status <sup>(1)</sup> | Package Type | Package Drawing | Pins | Package Qty | Eco Plan <sup>(2)</sup> | Lead/<br>Ball Finish | MSL Peak Temp <sup>(3)</sup> | Samples<br>(Requires Login)            |
|------------------|-----------------------|--------------|-----------------|------|-------------|-------------------------|----------------------|------------------------------|--|
| TL432QDBZRG4     | ACTIVE                | SOT-23       | DBZ             | 3    | 3000        | Green (RoHS & no Sb/Br) | CU NIPDAU            | Level-1-260C-UNLIM           | Contact TI Distributor or Sales Office |
| TL432QDBZT       | ACTIVE                | SOT-23       | DBZ             | 3    | 250         | Green (RoHS & no Sb/Br) | CU NIPDAU            | Level-1-260C-UNLIM           | Contact TI Distributor or Sales Office |
| TL432QDBZTG4     | ACTIVE                | SOT-23       | DBZ             | 3    | 250         | Green (RoHS & no Sb/Br) | CU NIPDAU            | Level-1-260C-UNLIM           | Contact TI Distributor or Sales Office |
| TL432QPK         | ACTIVE                | SOT-89       | PK              | 3    | 1000        | Green (RoHS & no Sb/Br) | CU SN                | Level-2-260C-1 YEAR          | <a href="#">Request Free Samples</a>   |
| TL432QPKG3       | ACTIVE                | SOT-89       | PK              | 3    | 1000        | Green (RoHS & no Sb/Br) | CU SN                | Level-2-260C-1 YEAR          | <a href="#">Request Free Samples</a>   |

<sup>(1)</sup> The marketing status values are defined as follows:

**ACTIVE:** Product device recommended for new designs.

**LIFEBUY:** TI has announced that the device will be discontinued, and a lifetime-buy period is in effect.

**NRND:** Not recommended for new designs. Device is in production to support existing customers, but TI does not recommend using this part in a new design.

**PREVIEW:** Device has been announced but is not in production. Samples may or may not be available.

**OBSOLETE:** TI has discontinued the production of the device.

<sup>(2)</sup> Eco Plan - The planned eco-friendly classification: Pb-Free (RoHS), Pb-Free (RoHS Exempt), or Green (RoHS & no Sb/Br) - please check <http://www.ti.com/productcontent> for the latest availability information and additional product content details.

**TBD:** The Pb-Free/Green conversion plan has not been defined.

**Pb-Free (RoHS):** TI's terms "Lead-Free" or "Pb-Free" mean semiconductor products that are compatible with the current RoHS requirements for all 6 substances, including the requirement that lead not exceed 0.1% by weight in homogeneous materials. Where designed to be soldered at high temperatures, TI Pb-Free products are suitable for use in specified lead-free processes.

**Pb-Free (RoHS Exempt):** This component has a RoHS exemption for either 1) lead-based flip-chip solder bumps used between the die and package, or 2) lead-based die adhesive used between the die and leadframe. The component is otherwise considered Pb-Free (RoHS compatible) as defined above.

**Green (RoHS & no Sb/Br):** TI defines "Green" to mean Pb-Free (RoHS compatible), and free of Bromine (Br) and Antimony (Sb) based flame retardants (Br or Sb do not exceed 0.1% by weight in homogeneous material)

<sup>(3)</sup> MSL, Peak Temp. -- The Moisture Sensitivity Level rating according to the JEDEC industry standard classifications, and peak solder temperature.

**Important Information and Disclaimer:** The information provided on this page represents TI's knowledge and belief as of the date that it is provided. TI bases its knowledge and belief on information provided by third parties, and makes no representation or warranty as to the accuracy of such information. Efforts are underway to better integrate information from third parties. TI has taken and continues to take reasonable steps to provide representative and accurate information but may not have conducted destructive testing or chemical analysis on incoming materials and chemicals. TI and TI suppliers consider certain information to be proprietary, and thus CAS numbers and other limited information may not be available for release.

In no event shall TI's liability arising out of such information exceed the total purchase price of the TI part(s) at issue in this document sold by TI to Customer on an annual basis.

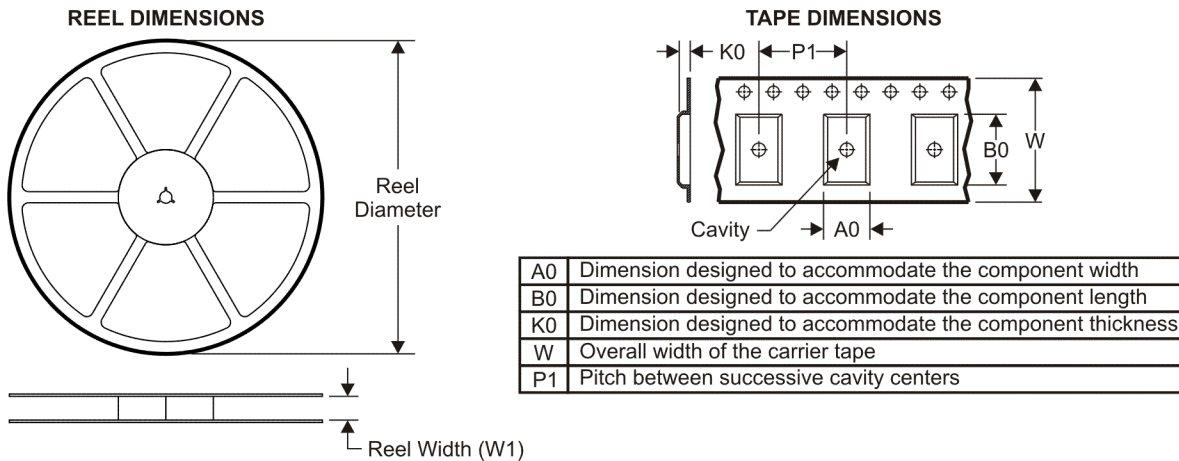
**OTHER QUALIFIED VERSIONS OF TL431A, TL431B, TL432A, TL432B :**

- Automotive: [TL431A-Q1](#), [TL431B-Q1](#), [TL432A-Q1](#), [TL432B-Q1](#)

NOTE: Qualified Version Definitions:

- Automotive - Q100 devices qualified for high-reliability automotive applications targeting zero defects

**TAPE AND REEL INFORMATION**



**QUADRANT ASSIGNMENTS FOR PIN 1 ORIENTATION IN TAPE**



\*All dimensions are nominal

| Device      | Package Type | Package Drawing | Pins | SPQ  | Reel Diameter (mm) | Reel Width W1 (mm) | A0 (mm) | B0 (mm) | K0 (mm) | P1 (mm) | W (mm) | Pin1 Quadrant |
|-------------|--------------|-----------------|------|------|--------------------|--------------------|---------|---------|---------|---------|--------|---------------|
| TL431ACDBVR | SOT-23       | DBV             | 5    | 3000 | 178.0              | 9.0                | 3.23    | 3.17    | 1.37    | 4.0     | 8.0    | Q3            |
| TL431ACDBVT | SOT-23       | DBV             | 5    | 250  | 178.0              | 9.0                | 3.23    | 3.17    | 1.37    | 4.0     | 8.0    | Q3            |
| TL431ACDBZR | SOT-23       | DBZ             | 3    | 3000 | 180.0              | 9.2                | 3.18    | 3.28    | 1.32    | 4.0     | 8.0    | Q3            |
| TL431ACDBZT | SOT-23       | DBZ             | 3    | 250  | 180.0              | 9.2                | 3.18    | 3.28    | 1.32    | 4.0     | 8.0    | Q3            |
| TL431ACDCKR | SC70         | DCK             | 6    | 3000 | 180.0              | 8.4                | 2.24    | 2.34    | 1.22    | 4.0     | 8.0    | Q3            |
| TL431ACDCKT | SC70         | DCK             | 6    | 250  | 179.0              | 8.4                | 2.2     | 2.5     | 1.2     | 4.0     | 8.0    | Q3            |
| TL431ACDR   | SOIC         | D               | 8    | 2500 | 330.0              | 12.4               | 6.4     | 5.2     | 2.1     | 8.0     | 12.0   | Q1            |
| TL431ACPK   | SOT-89       | PK              | 3    | 1000 | 180.0              | 12.4               | 4.91    | 4.52    | 1.9     | 8.0     | 12.0   | Q3            |
| TL431ACPSR  | SO           | PS              | 8    | 2000 | 330.0              | 16.4               | 8.2     | 6.6     | 2.5     | 12.0    | 16.0   | Q1            |
| TL431ACPWR  | TSSOP        | PW              | 8    | 2000 | 330.0              | 12.4               | 7.0     | 3.6     | 1.6     | 8.0     | 12.0   | Q1            |
| TL431AIDBVR | SOT-23       | DBV             | 5    | 3000 | 178.0              | 9.0                | 3.23    | 3.17    | 1.37    | 4.0     | 8.0    | Q3            |
| TL431AIDBVT | SOT-23       | DBV             | 5    | 250  | 178.0              | 9.0                | 3.23    | 3.17    | 1.37    | 4.0     | 8.0    | Q3            |
| TL431AIDBZR | SOT-23       | DBZ             | 3    | 3000 | 180.0              | 9.2                | 3.18    | 3.28    | 1.32    | 4.0     | 8.0    | Q3            |
| TL431AIDBZT | SOT-23       | DBZ             | 3    | 250  | 180.0              | 9.2                | 3.18    | 3.28    | 1.32    | 4.0     | 8.0    | Q3            |
| TL431AIDCKR | SC70         | DCK             | 6    | 3000 | 179.0              | 8.4                | 2.2     | 2.5     | 1.2     | 4.0     | 8.0    | Q3            |
| TL431AIDCKT | SC70         | DCK             | 6    | 250  | 179.0              | 8.4                | 2.2     | 2.5     | 1.2     | 4.0     | 8.0    | Q3            |
| TL431AIDR   | SOIC         | D               | 8    | 2500 | 330.0              | 12.4               | 6.4     | 5.2     | 2.1     | 8.0     | 12.0   | Q1            |
| TL431AIPK   | SOT-89       | PK              | 3    | 1000 | 180.0              | 12.4               | 4.91    | 4.52    | 1.9     | 8.0     | 12.0   | Q3            |

| Device      | Package Type | Package Drawing | Pins | SPQ  | Reel Diameter (mm) | Reel Width W1 (mm) | A0 (mm) | B0 (mm) | K0 (mm) | P1 (mm) | W (mm) | Pin1 Quadrant |
|-------------|--------------|-----------------|------|------|--------------------|--------------------|---------|---------|---------|---------|--------|---------------|
| TL431AQDBVR | SOT-23       | DBV             | 5    | 3000 | 178.0              | 9.0                | 3.23    | 3.17    | 1.37    | 4.0     | 8.0    | Q3            |
| TL431AQDBVT | SOT-23       | DBV             | 5    | 250  | 178.0              | 9.0                | 3.23    | 3.17    | 1.37    | 4.0     | 8.0    | Q3            |
| TL431AQDBZR | SOT-23       | DBZ             | 3    | 3000 | 180.0              | 9.2                | 3.18    | 3.28    | 1.32    | 4.0     | 8.0    | Q3            |
| TL431AQDBZT | SOT-23       | DBZ             | 3    | 250  | 180.0              | 9.2                | 3.18    | 3.28    | 1.32    | 4.0     | 8.0    | Q3            |
| TL431AQDCKR | SC70         | DCK             | 6    | 3000 | 179.0              | 8.4                | 2.2     | 2.5     | 1.2     | 4.0     | 8.0    | Q3            |
| TL431AQDCKT | SC70         | DCK             | 6    | 250  | 179.0              | 8.4                | 2.2     | 2.5     | 1.2     | 4.0     | 8.0    | Q3            |
| TL431BCDBVR | SOT-23       | DBV             | 5    | 3000 | 178.0              | 9.0                | 3.23    | 3.17    | 1.37    | 4.0     | 8.0    | Q3            |
| TL431BCDBVT | SOT-23       | DBV             | 5    | 250  | 178.0              | 9.0                | 3.23    | 3.17    | 1.37    | 4.0     | 8.0    | Q3            |
| TL431BCDBZR | SOT-23       | DBZ             | 3    | 3000 | 180.0              | 9.2                | 3.18    | 3.28    | 1.32    | 4.0     | 8.0    | Q3            |
| TL431BCDBZT | SOT-23       | DBZ             | 3    | 250  | 180.0              | 9.2                | 3.18    | 3.28    | 1.32    | 4.0     | 8.0    | Q3            |
| TL431BCDCKR | SC70         | DCK             | 6    | 3000 | 179.0              | 8.4                | 2.2     | 2.5     | 1.2     | 4.0     | 8.0    | Q3            |
| TL431BCDCKT | SC70         | DCK             | 6    | 250  | 179.0              | 8.4                | 2.2     | 2.5     | 1.2     | 4.0     | 8.0    | Q3            |
| TL431BCDR   | SOIC         | D               | 8    | 2500 | 330.0              | 12.4               | 6.4     | 5.2     | 2.1     | 8.0     | 12.0   | Q1            |
| TL431BCPK   | SOT-89       | PK              | 3    | 1000 | 180.0              | 12.4               | 4.91    | 4.52    | 1.9     | 8.0     | 12.0   | Q3            |
| TL431BCPSR  | SO           | PS              | 8    | 2000 | 330.0              | 16.4               | 8.2     | 6.6     | 2.5     | 12.0    | 16.0   | Q1            |
| TL431BCPWR  | TSSOP        | PW              | 8    | 2000 | 330.0              | 12.4               | 7.0     | 3.6     | 1.6     | 8.0     | 12.0   | Q1            |
| TL431BIDBVR | SOT-23       | DBV             | 5    | 3000 | 178.0              | 9.0                | 3.23    | 3.17    | 1.37    | 4.0     | 8.0    | Q3            |
| TL431BIDBVT | SOT-23       | DBV             | 5    | 250  | 178.0              | 9.0                | 3.23    | 3.17    | 1.37    | 4.0     | 8.0    | Q3            |
| TL431BIDBZR | SOT-23       | DBZ             | 3    | 3000 | 180.0              | 9.2                | 3.18    | 3.28    | 1.32    | 4.0     | 8.0    | Q3            |
| TL431BIDBZT | SOT-23       | DBZ             | 3    | 250  | 180.0              | 9.2                | 3.18    | 3.28    | 1.32    | 4.0     | 8.0    | Q3            |
| TL431BIDCKR | SC70         | DCK             | 6    | 3000 | 179.0              | 8.4                | 2.2     | 2.5     | 1.2     | 4.0     | 8.0    | Q3            |
| TL431BIDCKT | SC70         | DCK             | 6    | 250  | 179.0              | 8.4                | 2.2     | 2.5     | 1.2     | 4.0     | 8.0    | Q3            |
| TL431BIDR   | SOIC         | D               | 8    | 2500 | 330.0              | 12.4               | 6.4     | 5.2     | 2.1     | 8.0     | 12.0   | Q1            |
| TL431BIPK   | SOT-89       | PK              | 3    | 1000 | 180.0              | 12.4               | 4.91    | 4.52    | 1.9     | 8.0     | 12.0   | Q3            |
| TL431BQDBVR | SOT-23       | DBV             | 5    | 3000 | 179.0              | 8.4                | 3.2     | 3.2     | 1.4     | 4.0     | 8.0    | Q3            |
| TL431BQDBVT | SOT-23       | DBV             | 5    | 250  | 179.0              | 8.4                | 3.2     | 3.2     | 1.4     | 4.0     | 8.0    | Q3            |
| TL431BQDBZR | SOT-23       | DBZ             | 3    | 3000 | 180.0              | 9.2                | 3.18    | 3.28    | 1.32    | 4.0     | 8.0    | Q3            |
| TL431BQDBZT | SOT-23       | DBZ             | 3    | 250  | 180.0              | 9.2                | 3.18    | 3.28    | 1.32    | 4.0     | 8.0    | Q3            |
| TL431BQDCKR | SC70         | DCK             | 6    | 3000 | 179.0              | 8.4                | 2.2     | 2.5     | 1.2     | 4.0     | 8.0    | Q3            |
| TL431BQDCKT | SC70         | DCK             | 6    | 250  | 179.0              | 8.4                | 2.2     | 2.5     | 1.2     | 4.0     | 8.0    | Q3            |
| TL431BQDR   | SOIC         | D               | 8    | 2500 | 330.0              | 12.4               | 6.4     | 5.2     | 2.1     | 8.0     | 12.0   | Q1            |
| TL431CDBVR  | SOT-23       | DBV             | 5    | 3000 | 178.0              | 9.0                | 3.23    | 3.17    | 1.37    | 4.0     | 8.0    | Q3            |
| TL431CDBVT  | SOT-23       | DBV             | 5    | 250  | 178.0              | 9.0                | 3.23    | 3.17    | 1.37    | 4.0     | 8.0    | Q3            |
| TL431CDBZR  | SOT-23       | DBZ             | 3    | 3000 | 180.0              | 9.2                | 3.18    | 3.28    | 1.32    | 4.0     | 8.0    | Q3            |
| TL431CDBZT  | SOT-23       | DBZ             | 3    | 250  | 180.0              | 9.2                | 3.18    | 3.28    | 1.32    | 4.0     | 8.0    | Q3            |
| TL431CDR    | SOIC         | D               | 8    | 2500 | 330.0              | 12.4               | 6.4     | 5.2     | 2.1     | 8.0     | 12.0   | Q1            |
| TL431CPK    | SOT-89       | PK              | 3    | 1000 | 180.0              | 12.4               | 4.91    | 4.52    | 1.9     | 8.0     | 12.0   | Q3            |
| TL431CPSR   | SO           | PS              | 8    | 2000 | 330.0              | 16.4               | 8.2     | 6.6     | 2.5     | 12.0    | 16.0   | Q1            |
| TL431CPWR   | TSSOP        | PW              | 8    | 2000 | 330.0              | 12.4               | 7.0     | 3.6     | 1.6     | 8.0     | 12.0   | Q1            |
| TL431IDBVR  | SOT-23       | DBV             | 5    | 3000 | 178.0              | 9.0                | 3.23    | 3.17    | 1.37    | 4.0     | 8.0    | Q3            |
| TL431IDBVT  | SOT-23       | DBV             | 5    | 250  | 178.0              | 9.0                | 3.23    | 3.17    | 1.37    | 4.0     | 8.0    | Q3            |
| TL431IDBZR  | SOT-23       | DBZ             | 3    | 3000 | 180.0              | 9.2                | 3.18    | 3.28    | 1.32    | 4.0     | 8.0    | Q3            |
| TL431IDBZT  | SOT-23       | DBZ             | 3    | 250  | 180.0              | 9.2                | 3.18    | 3.28    | 1.32    | 4.0     | 8.0    | Q3            |

| Device      | Package Type | Package Drawing | Pins | SPQ  | Reel Diameter (mm) | Reel Width W1 (mm) | A0 (mm) | B0 (mm) | K0 (mm) | P1 (mm) | W (mm) | Pin1 Quadrant |
|-------------|--------------|-----------------|------|------|--------------------|--------------------|---------|---------|---------|---------|--------|---------------|
| TL431IDR    | SOIC         | D               | 8    | 2500 | 330.0              | 12.4               | 6.4     | 5.2     | 2.1     | 8.0     | 12.0   | Q1            |
| TL431IPK    | SOT-89       | PK              | 3    | 1000 | 180.0              | 12.4               | 4.91    | 4.52    | 1.9     | 8.0     | 12.0   | Q3            |
| TL431QDBVR  | SOT-23       | DBV             | 5    | 3000 | 178.0              | 9.0                | 3.23    | 3.17    | 1.37    | 4.0     | 8.0    | Q3            |
| TL431QDBVT  | SOT-23       | DBV             | 5    | 250  | 178.0              | 9.0                | 3.23    | 3.17    | 1.37    | 4.0     | 8.0    | Q3            |
| TL431QDBZR  | SOT-23       | DBZ             | 3    | 3000 | 180.0              | 9.2                | 3.18    | 3.28    | 1.32    | 4.0     | 8.0    | Q3            |
| TL431QDBZT  | SOT-23       | DBZ             | 3    | 250  | 180.0              | 9.2                | 3.18    | 3.28    | 1.32    | 4.0     | 8.0    | Q3            |
| TL431QDCKR  | SC70         | DCK             | 6    | 3000 | 179.0              | 8.4                | 2.2     | 2.5     | 1.2     | 4.0     | 8.0    | Q3            |
| TL431QDCKT  | SC70         | DCK             | 6    | 250  | 179.0              | 8.4                | 2.2     | 2.5     | 1.2     | 4.0     | 8.0    | Q3            |
| TL431QDR    | SOIC         | D               | 8    | 2500 | 330.0              | 12.4               | 6.4     | 5.2     | 2.1     | 8.0     | 12.0   | Q1            |
| TL432ACDBVR | SOT-23       | DBV             | 5    | 3000 | 178.0              | 9.0                | 3.23    | 3.17    | 1.37    | 4.0     | 8.0    | Q3            |
| TL432ACDBZR | SOT-23       | DBZ             | 3    | 3000 | 180.0              | 9.2                | 3.18    | 3.28    | 1.32    | 4.0     | 8.0    | Q3            |
| TL432ACDBZT | SOT-23       | DBZ             | 3    | 250  | 180.0              | 9.2                | 3.18    | 3.28    | 1.32    | 4.0     | 8.0    | Q3            |
| TL432ACPK   | SOT-89       | PK              | 3    | 1000 | 180.0              | 12.4               | 4.91    | 4.52    | 1.9     | 8.0     | 12.0   | Q3            |
| TL432AIDBVR | SOT-23       | DBV             | 5    | 3000 | 178.0              | 9.0                | 3.23    | 3.17    | 1.37    | 4.0     | 8.0    | Q3            |
| TL432AIDBZR | SOT-23       | DBZ             | 3    | 3000 | 180.0              | 9.2                | 3.18    | 3.28    | 1.32    | 4.0     | 8.0    | Q3            |
| TL432AIDBZT | SOT-23       | DBZ             | 3    | 250  | 180.0              | 9.2                | 3.18    | 3.28    | 1.32    | 4.0     | 8.0    | Q3            |
| TL432AIPK   | SOT-89       | PK              | 3    | 1000 | 180.0              | 12.4               | 4.91    | 4.52    | 1.9     | 8.0     | 12.0   | Q3            |
| TL432AQDBVR | SOT-23       | DBV             | 5    | 3000 | 179.0              | 8.4                | 3.2     | 3.2     | 1.4     | 4.0     | 8.0    | Q3            |
| TL432AQDBVT | SOT-23       | DBV             | 5    | 250  | 179.0              | 8.4                | 3.2     | 3.2     | 1.4     | 4.0     | 8.0    | Q3            |
| TL432AQDBZR | SOT-23       | DBZ             | 3    | 3000 | 180.0              | 9.2                | 3.18    | 3.28    | 1.32    | 4.0     | 8.0    | Q3            |
| TL432AQDBZT | SOT-23       | DBZ             | 3    | 250  | 180.0              | 9.2                | 3.18    | 3.28    | 1.32    | 4.0     | 8.0    | Q3            |
| TL432AQPCK  | SOT-89       | PK              | 3    | 1000 | 180.0              | 12.4               | 4.91    | 4.52    | 1.9     | 8.0     | 12.0   | Q3            |
| TL432BCDBVR | SOT-23       | DBV             | 5    | 3000 | 179.0              | 8.4                | 3.2     | 3.2     | 1.4     | 4.0     | 8.0    | Q3            |
| TL432BCDBZR | SOT-23       | DBZ             | 3    | 3000 | 180.0              | 9.2                | 3.18    | 3.28    | 1.32    | 4.0     | 8.0    | Q3            |
| TL432BCDBZT | SOT-23       | DBZ             | 3    | 250  | 180.0              | 9.2                | 3.18    | 3.28    | 1.32    | 4.0     | 8.0    | Q3            |
| TL432BCPK   | SOT-89       | PK              | 3    | 1000 | 180.0              | 12.4               | 4.91    | 4.52    | 1.9     | 8.0     | 12.0   | Q3            |
| TL432BIDBVR | SOT-23       | DBV             | 5    | 3000 | 179.0              | 8.4                | 3.2     | 3.2     | 1.4     | 4.0     | 8.0    | Q3            |
| TL432BIDBZR | SOT-23       | DBZ             | 3    | 3000 | 180.0              | 9.2                | 3.18    | 3.28    | 1.32    | 4.0     | 8.0    | Q3            |
| TL432BIDBZT | SOT-23       | DBZ             | 3    | 250  | 180.0              | 9.2                | 3.18    | 3.28    | 1.32    | 4.0     | 8.0    | Q3            |
| TL432BIPK   | SOT-89       | PK              | 3    | 1000 | 180.0              | 12.4               | 4.91    | 4.52    | 1.9     | 8.0     | 12.0   | Q3            |
| TL432BQDBVR | SOT-23       | DBV             | 5    | 3000 | 179.0              | 8.4                | 3.2     | 3.2     | 1.4     | 4.0     | 8.0    | Q3            |
| TL432BQDBVT | SOT-23       | DBV             | 5    | 250  | 179.0              | 8.4                | 3.2     | 3.2     | 1.4     | 4.0     | 8.0    | Q3            |
| TL432BQDBZR | SOT-23       | DBZ             | 3    | 3000 | 180.0              | 9.2                | 3.18    | 3.28    | 1.32    | 4.0     | 8.0    | Q3            |
| TL432BQPCK  | SOT-89       | PK              | 3    | 1000 | 180.0              | 12.4               | 4.91    | 4.52    | 1.9     | 8.0     | 12.0   | Q3            |
| TL432CDBVR  | SOT-23       | DBV             | 5    | 3000 | 178.0              | 9.0                | 3.23    | 3.17    | 1.37    | 4.0     | 8.0    | Q3            |
| TL432CDBZR  | SOT-23       | DBZ             | 3    | 3000 | 180.0              | 9.2                | 3.18    | 3.28    | 1.32    | 4.0     | 8.0    | Q3            |
| TL432CDBZT  | SOT-23       | DBZ             | 3    | 250  | 180.0              | 9.2                | 3.18    | 3.28    | 1.32    | 4.0     | 8.0    | Q3            |
| TL432CPK    | SOT-89       | PK              | 3    | 1000 | 180.0              | 12.4               | 4.91    | 4.52    | 1.9     | 8.0     | 12.0   | Q3            |
| TL432IDBVR  | SOT-23       | DBV             | 5    | 3000 | 178.0              | 9.0                | 3.23    | 3.17    | 1.37    | 4.0     | 8.0    | Q3            |
| TL432IDBZR  | SOT-23       | DBZ             | 3    | 3000 | 180.0              | 9.2                | 3.18    | 3.28    | 1.32    | 4.0     | 8.0    | Q3            |
| TL432IDBZT  | SOT-23       | DBZ             | 3    | 250  | 180.0              | 9.2                | 3.18    | 3.28    | 1.32    | 4.0     | 8.0    | Q3            |
| TL432IPK    | SOT-89       | PK              | 3    | 1000 | 180.0              | 12.4               | 4.91    | 4.52    | 1.9     | 8.0     | 12.0   | Q3            |
| TL432QDBVR  | SOT-23       | DBV             | 5    | 3000 | 179.0              | 8.4                | 3.2     | 3.2     | 1.4     | 4.0     | 8.0    | Q3            |

| Device     | Package Type | Package Drawing | Pins | SPQ  | Reel Diameter (mm) | Reel Width W1 (mm) | A0 (mm) | B0 (mm) | K0 (mm) | P1 (mm) | W (mm) | Pin1 Quadrant |
|------------|--------------|-----------------|------|------|--------------------|--------------------|---------|---------|---------|---------|--------|---------------|
| TL432QDBVT | SOT-23       | DBV             | 5    | 250  | 179.0              | 8.4                | 3.2     | 3.2     | 1.4     | 4.0     | 8.0    | Q3            |
| TL432QDBZR | SOT-23       | DBZ             | 3    | 3000 | 180.0              | 9.2                | 3.18    | 3.28    | 1.32    | 4.0     | 8.0    | Q3            |
| TL432QDBZT | SOT-23       | DBZ             | 3    | 250  | 180.0              | 9.2                | 3.18    | 3.28    | 1.32    | 4.0     | 8.0    | Q3            |
| TL432QPK   | SOT-89       | PK              | 3    | 1000 | 180.0              | 12.4               | 4.91    | 4.52    | 1.9     | 8.0     | 12.0   | Q3            |

**TAPE AND REEL BOX DIMENSIONS**


\*All dimensions are nominal

| Device      | Package Type | Package Drawing | Pins | SPQ  | Length (mm) | Width (mm) | Height (mm) |
|-------------|--------------|-----------------|------|------|-------------|------------|-------------|
| TL431ACDBVR | SOT-23       | DBV             | 5    | 3000 | 180.0       | 180.0      | 18.0        |
| TL431ACDBVT | SOT-23       | DBV             | 5    | 250  | 180.0       | 180.0      | 18.0        |
| TL431ACDBZR | SOT-23       | DBZ             | 3    | 3000 | 202.0       | 201.0      | 28.0        |
| TL431ACDBZT | SOT-23       | DBZ             | 3    | 250  | 202.0       | 201.0      | 28.0        |
| TL431ACDCKR | SC70         | DCK             | 6    | 3000 | 202.0       | 201.0      | 28.0        |
| TL431ACDCKT | SC70         | DCK             | 6    | 250  | 203.0       | 203.0      | 35.0        |
| TL431ACDR   | SOIC         | D               | 8    | 2500 | 340.5       | 338.1      | 20.6        |
| TL431ACPK   | SOT-89       | PK              | 3    | 1000 | 340.0       | 340.0      | 38.0        |
| TL431ACPSR  | SO           | PS              | 8    | 2000 | 346.0       | 346.0      | 33.0        |
| TL431ACPWR  | TSSOP        | PW              | 8    | 2000 | 346.0       | 346.0      | 29.0        |
| TL431AIDBVR | SOT-23       | DBV             | 5    | 3000 | 180.0       | 180.0      | 18.0        |
| TL431AIDBVT | SOT-23       | DBV             | 5    | 250  | 180.0       | 180.0      | 18.0        |
| TL431AIDBZR | SOT-23       | DBZ             | 3    | 3000 | 202.0       | 201.0      | 28.0        |



| Device      | Package Type | Package Drawing | Pins | SPQ  | Length (mm) | Width (mm) | Height (mm) |
|-------------|--------------|-----------------|------|------|-------------|------------|-------------|
| TL431AIDBZT | SOT-23       | DBZ             | 3    | 250  | 202.0       | 201.0      | 28.0        |
| TL431AIDCKR | SC70         | DCK             | 6    | 3000 | 203.0       | 203.0      | 35.0        |
| TL431AIDCKT | SC70         | DCK             | 6    | 250  | 203.0       | 203.0      | 35.0        |
| TL431AIDR   | SOIC         | D               | 8    | 2500 | 340.5       | 338.1      | 20.6        |
| TL431AIPK   | SOT-89       | PK              | 3    | 1000 | 340.0       | 340.0      | 38.0        |
| TL431AQDBVR | SOT-23       | DBV             | 5    | 3000 | 180.0       | 180.0      | 18.0        |
| TL431AQDBVT | SOT-23       | DBV             | 5    | 250  | 180.0       | 180.0      | 18.0        |
| TL431AQDBZR | SOT-23       | DBZ             | 3    | 3000 | 202.0       | 201.0      | 28.0        |
| TL431AQDBZT | SOT-23       | DBZ             | 3    | 250  | 202.0       | 201.0      | 28.0        |
| TL431AQDCKR | SC70         | DCK             | 6    | 3000 | 203.0       | 203.0      | 35.0        |
| TL431AQDCKT | SC70         | DCK             | 6    | 250  | 203.0       | 203.0      | 35.0        |
| TL431BCDBVR | SOT-23       | DBV             | 5    | 3000 | 180.0       | 180.0      | 18.0        |
| TL431BCDBVT | SOT-23       | DBV             | 5    | 250  | 180.0       | 180.0      | 18.0        |
| TL431BCDBZR | SOT-23       | DBZ             | 3    | 3000 | 202.0       | 201.0      | 28.0        |
| TL431BCDBZT | SOT-23       | DBZ             | 3    | 250  | 202.0       | 201.0      | 28.0        |
| TL431BCDCKR | SC70         | DCK             | 6    | 3000 | 203.0       | 203.0      | 35.0        |
| TL431BCDCKT | SC70         | DCK             | 6    | 250  | 203.0       | 203.0      | 35.0        |
| TL431BCDR   | SOIC         | D               | 8    | 2500 | 340.5       | 338.1      | 20.6        |
| TL431BCPK   | SOT-89       | PK              | 3    | 1000 | 340.0       | 340.0      | 38.0        |
| TL431BCPSR  | SO           | PS              | 8    | 2000 | 346.0       | 346.0      | 33.0        |
| TL431BCPWR  | TSSOP        | PW              | 8    | 2000 | 346.0       | 346.0      | 29.0        |
| TL431BIDBVR | SOT-23       | DBV             | 5    | 3000 | 180.0       | 180.0      | 18.0        |
| TL431BIDBVT | SOT-23       | DBV             | 5    | 250  | 180.0       | 180.0      | 18.0        |
| TL431BIDBZR | SOT-23       | DBZ             | 3    | 3000 | 202.0       | 201.0      | 28.0        |
| TL431BIDBZT | SOT-23       | DBZ             | 3    | 250  | 202.0       | 201.0      | 28.0        |
| TL431BIDCKR | SC70         | DCK             | 6    | 3000 | 203.0       | 203.0      | 35.0        |
| TL431BIDCKT | SC70         | DCK             | 6    | 250  | 203.0       | 203.0      | 35.0        |
| TL431BIDR   | SOIC         | D               | 8    | 2500 | 340.5       | 338.1      | 20.6        |
| TL431BIPK   | SOT-89       | PK              | 3    | 1000 | 340.0       | 340.0      | 38.0        |
| TL431BQDBVR | SOT-23       | DBV             | 5    | 3000 | 203.0       | 203.0      | 35.0        |
| TL431BQDBVT | SOT-23       | DBV             | 5    | 250  | 203.0       | 203.0      | 35.0        |
| TL431BQDBZR | SOT-23       | DBZ             | 3    | 3000 | 202.0       | 201.0      | 28.0        |
| TL431BQDBZT | SOT-23       | DBZ             | 3    | 250  | 202.0       | 201.0      | 28.0        |
| TL431BQDCKR | SC70         | DCK             | 6    | 3000 | 203.0       | 203.0      | 35.0        |
| TL431BQDCKT | SC70         | DCK             | 6    | 250  | 203.0       | 203.0      | 35.0        |
| TL431BQDR   | SOIC         | D               | 8    | 2500 | 340.5       | 338.1      | 20.6        |
| TL431CDBVR  | SOT-23       | DBV             | 5    | 3000 | 180.0       | 180.0      | 18.0        |
| TL431CDBVT  | SOT-23       | DBV             | 5    | 250  | 180.0       | 180.0      | 18.0        |
| TL431CDBZR  | SOT-23       | DBZ             | 3    | 3000 | 202.0       | 201.0      | 28.0        |
| TL431CDBZT  | SOT-23       | DBZ             | 3    | 250  | 202.0       | 201.0      | 28.0        |
| TL431CDR    | SOIC         | D               | 8    | 2500 | 340.5       | 338.1      | 20.6        |
| TL431CPK    | SOT-89       | PK              | 3    | 1000 | 340.0       | 340.0      | 38.0        |
| TL431CPSR   | SO           | PS              | 8    | 2000 | 346.0       | 346.0      | 33.0        |
| TL431CPWR   | TSSOP        | PW              | 8    | 2000 | 346.0       | 346.0      | 29.0        |

| Device      | Package Type | Package Drawing | Pins | SPQ  | Length (mm) | Width (mm) | Height (mm) |
|-------------|--------------|-----------------|------|------|-------------|------------|-------------|
| TL431IDBVR  | SOT-23       | DBV             | 5    | 3000 | 180.0       | 180.0      | 18.0        |
| TL431IDBVT  | SOT-23       | DBV             | 5    | 250  | 180.0       | 180.0      | 18.0        |
| TL431IDBZR  | SOT-23       | DBZ             | 3    | 3000 | 202.0       | 201.0      | 28.0        |
| TL431IDBZT  | SOT-23       | DBZ             | 3    | 250  | 202.0       | 201.0      | 28.0        |
| TL431IDR    | SOIC         | D               | 8    | 2500 | 340.5       | 338.1      | 20.6        |
| TL431IPK    | SOT-89       | PK              | 3    | 1000 | 340.0       | 340.0      | 38.0        |
| TL431QDBVR  | SOT-23       | DBV             | 5    | 3000 | 180.0       | 180.0      | 18.0        |
| TL431QDBVT  | SOT-23       | DBV             | 5    | 250  | 180.0       | 180.0      | 18.0        |
| TL431QDBZR  | SOT-23       | DBZ             | 3    | 3000 | 202.0       | 201.0      | 28.0        |
| TL431QDBZT  | SOT-23       | DBZ             | 3    | 250  | 202.0       | 201.0      | 28.0        |
| TL431QDCKR  | SC70         | DCK             | 6    | 3000 | 203.0       | 203.0      | 35.0        |
| TL431QDCKT  | SC70         | DCK             | 6    | 250  | 203.0       | 203.0      | 35.0        |
| TL431QDR    | SOIC         | D               | 8    | 2500 | 340.5       | 338.1      | 20.6        |
| TL432ACDBVR | SOT-23       | DBV             | 5    | 3000 | 180.0       | 180.0      | 18.0        |
| TL432ACDBZR | SOT-23       | DBZ             | 3    | 3000 | 202.0       | 201.0      | 28.0        |
| TL432ACDBZT | SOT-23       | DBZ             | 3    | 250  | 202.0       | 201.0      | 28.0        |
| TL432ACPK   | SOT-89       | PK              | 3    | 1000 | 340.0       | 340.0      | 38.0        |
| TL432AIDBVR | SOT-23       | DBV             | 5    | 3000 | 180.0       | 180.0      | 18.0        |
| TL432AIDBZR | SOT-23       | DBZ             | 3    | 3000 | 202.0       | 201.0      | 28.0        |
| TL432AIDBZT | SOT-23       | DBZ             | 3    | 250  | 202.0       | 201.0      | 28.0        |
| TL432AIPK   | SOT-89       | PK              | 3    | 1000 | 340.0       | 340.0      | 38.0        |
| TL432AQDBVR | SOT-23       | DBV             | 5    | 3000 | 203.0       | 203.0      | 35.0        |
| TL432AQDBVT | SOT-23       | DBV             | 5    | 250  | 203.0       | 203.0      | 35.0        |
| TL432AQDBZR | SOT-23       | DBZ             | 3    | 3000 | 202.0       | 201.0      | 28.0        |
| TL432AQDBZT | SOT-23       | DBZ             | 3    | 250  | 202.0       | 201.0      | 28.0        |
| TL432AQPK   | SOT-89       | PK              | 3    | 1000 | 340.0       | 340.0      | 38.0        |
| TL432BCDBVR | SOT-23       | DBV             | 5    | 3000 | 203.0       | 203.0      | 35.0        |
| TL432BCDBZR | SOT-23       | DBZ             | 3    | 3000 | 202.0       | 201.0      | 28.0        |
| TL432BCDBZT | SOT-23       | DBZ             | 3    | 250  | 202.0       | 201.0      | 28.0        |
| TL432BCPK   | SOT-89       | PK              | 3    | 1000 | 340.0       | 340.0      | 38.0        |
| TL432BIDBVR | SOT-23       | DBV             | 5    | 3000 | 203.0       | 203.0      | 35.0        |
| TL432BIDBZR | SOT-23       | DBZ             | 3    | 3000 | 202.0       | 201.0      | 28.0        |
| TL432BIDBZT | SOT-23       | DBZ             | 3    | 250  | 202.0       | 201.0      | 28.0        |
| TL432BIPK   | SOT-89       | PK              | 3    | 1000 | 340.0       | 340.0      | 38.0        |
| TL432BQDBVR | SOT-23       | DBV             | 5    | 3000 | 203.0       | 203.0      | 35.0        |
| TL432BQDBVT | SOT-23       | DBV             | 5    | 250  | 203.0       | 203.0      | 35.0        |
| TL432BQDBZR | SOT-23       | DBZ             | 3    | 3000 | 202.0       | 201.0      | 28.0        |
| TL432BQPK   | SOT-89       | PK              | 3    | 1000 | 340.0       | 340.0      | 38.0        |
| TL432CDBVR  | SOT-23       | DBV             | 5    | 3000 | 180.0       | 180.0      | 18.0        |
| TL432CDBZR  | SOT-23       | DBZ             | 3    | 3000 | 202.0       | 201.0      | 28.0        |
| TL432CDBZT  | SOT-23       | DBZ             | 3    | 250  | 202.0       | 201.0      | 28.0        |
| TL432CPK    | SOT-89       | PK              | 3    | 1000 | 340.0       | 340.0      | 38.0        |
| TL432IDBVR  | SOT-23       | DBV             | 5    | 3000 | 180.0       | 180.0      | 18.0        |
| TL432IDBZR  | SOT-23       | DBZ             | 3    | 3000 | 202.0       | 201.0      | 28.0        |

---

| Device     | Package Type | Package Drawing | Pins | SPQ  | Length (mm) | Width (mm) | Height (mm) |
|------------|--------------|-----------------|------|------|-------------|------------|-------------|
| TL432IDBZT | SOT-23       | DBZ             | 3    | 250  | 202.0       | 201.0      | 28.0        |
| TL432IPK   | SOT-89       | PK              | 3    | 1000 | 340.0       | 340.0      | 38.0        |
| TL432QDBVR | SOT-23       | DBV             | 5    | 3000 | 203.0       | 203.0      | 35.0        |
| TL432QDBVT | SOT-23       | DBV             | 5    | 250  | 203.0       | 203.0      | 35.0        |
| TL432QDBZR | SOT-23       | DBZ             | 3    | 3000 | 202.0       | 201.0      | 28.0        |
| TL432QDBZT | SOT-23       | DBZ             | 3    | 250  | 202.0       | 201.0      | 28.0        |
| TL432QPK   | SOT-89       | PK              | 3    | 1000 | 340.0       | 340.0      | 38.0        |

JG (R-GDIP-T8)

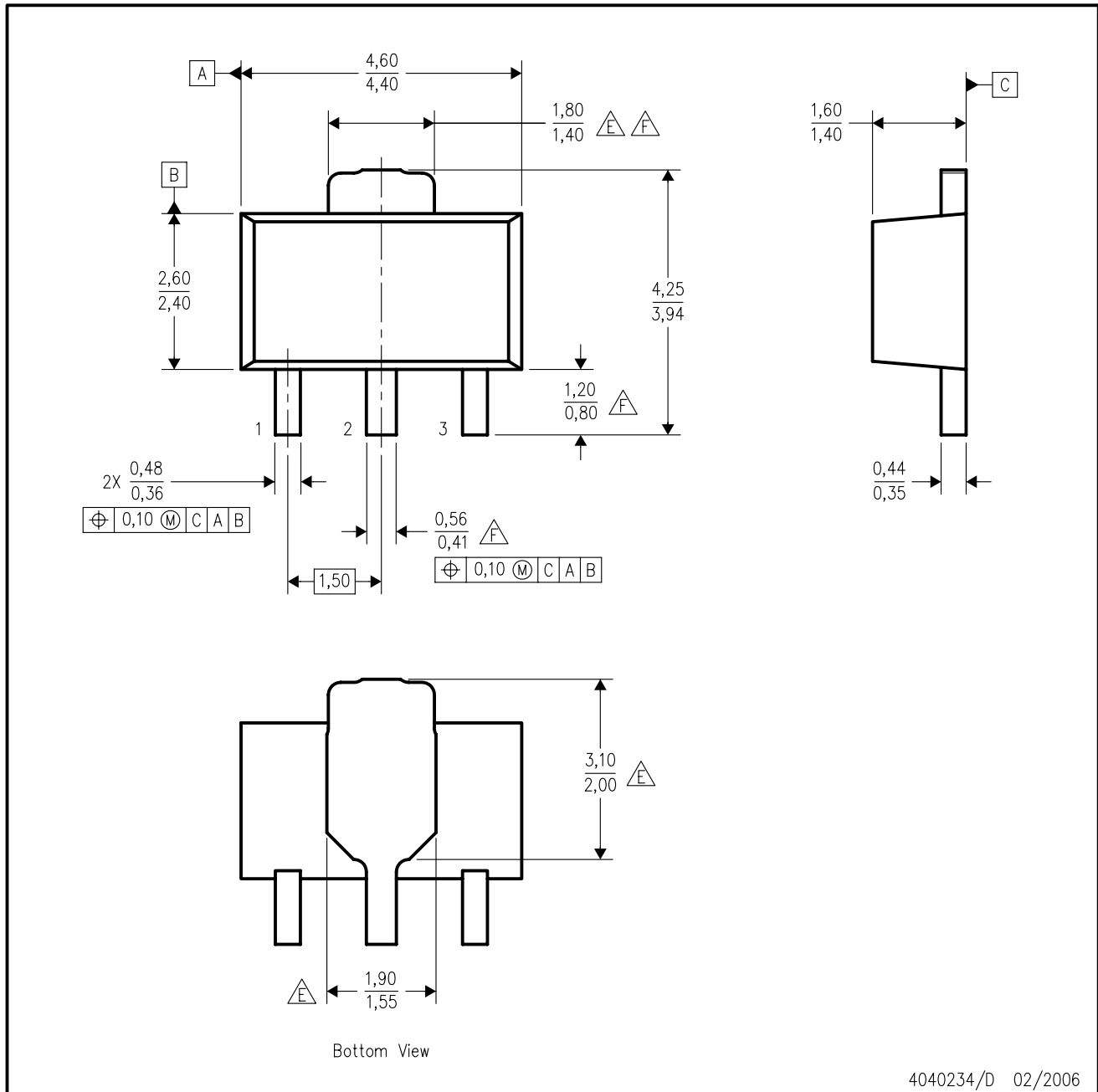
CERAMIC DUAL-IN-LINE



- NOTES: A. All linear dimensions are in inches (millimeters).  
 B. This drawing is subject to change without notice.  
 C. This package can be hermetically sealed with a ceramic lid using glass frit.  
 D. Index point is provided on cap for terminal identification.  
 E. Falls within MIL STD 1835 GDIP1-T8

PK (R-PSS0-F3)

PLASTIC SINGLE-IN-LINE PACKAGE



4040234/D 02/2006

- NOTES:
- A. All linear dimensions are in millimeters. Dimensioning and tolerancing per ASME Y14.5M-1994.
  - B. This drawing is subject to change without notice.
  - C. The center lead is in electrical contact with the tab.
  - D. Body dimensions do not include mold flash or protrusion. Mold flash and protrusion not to exceed 0.15 per side.
  - E Thermal pad contour optional within these dimensions.
  - F Falls within JEDEC TO-243 variation AA, except minimum lead length, pin 2 minimum lead width, minimum tab width.

PK (R-PDSO-G3)



4208221/A 09/06

- NOTES:
- A. All linear dimensions are in millimeters.
  - B. This drawing is subject to change without notice.
  - C. Publication IPC-7351 is recommended for alternate designs.
  - D. Laser cutting apertures with trapezoidal walls and also rounding corners will offer better paste release. Customers should contact their board assembly site for stencil design recommendations. Refer to IPC-7525.
  - E. Customers should contact their board fabrication site for solder mask tolerances between and around signal pads.

FK (S-CQCC-N\*\*)

LEADLESS CERAMIC CHIP CARRIER

28 TERMINAL SHOWN



4040140/D 10/96

- NOTES:
- A. All linear dimensions are in inches (millimeters).
  - B. This drawing is subject to change without notice.
  - C. This package can be hermetically sealed with a metal lid.
  - D. The terminals are gold plated.
  - E. Falls within JEDEC MS-004

P (R-PDIP-T8)

PLASTIC DUAL-IN-LINE PACKAGE



4040082/E 04/2010

- NOTES:
- A. All linear dimensions are in inches (millimeters).
  - B. This drawing is subject to change without notice.
  - C. Falls within JEDEC MS-001 variation BA.



DBV (R-PDSO-G5)

PLASTIC SMALL-OUTLINE PACKAGE



- NOTES:
- A. All linear dimensions are in millimeters.
  - B. This drawing is subject to change without notice.
  - C. Body dimensions do not include mold flash or protrusion. Mold flash and protrusion shall not exceed 0.15 per side.
  - D. Falls within JEDEC MO-178 Variation AA.

DBZ (R-PDSO-G3)

PLASTIC SMALL-OUTLINE



- NOTES:
- A. All linear dimensions are in millimeters. Dimensioning and tolerancing per ASME Y14.5M-1994.
  - B. This drawing is subject to change without notice.
  - C. Lead dimensions are inclusive of plating.
  - D. Body dimensions are exclusive of mold flash and protrusion. Mold flash and protrusion not to exceed 0.25 per side.
  - $\triangle E$  Falls within JEDEC TO-236 variation AB, except minimum foot length.

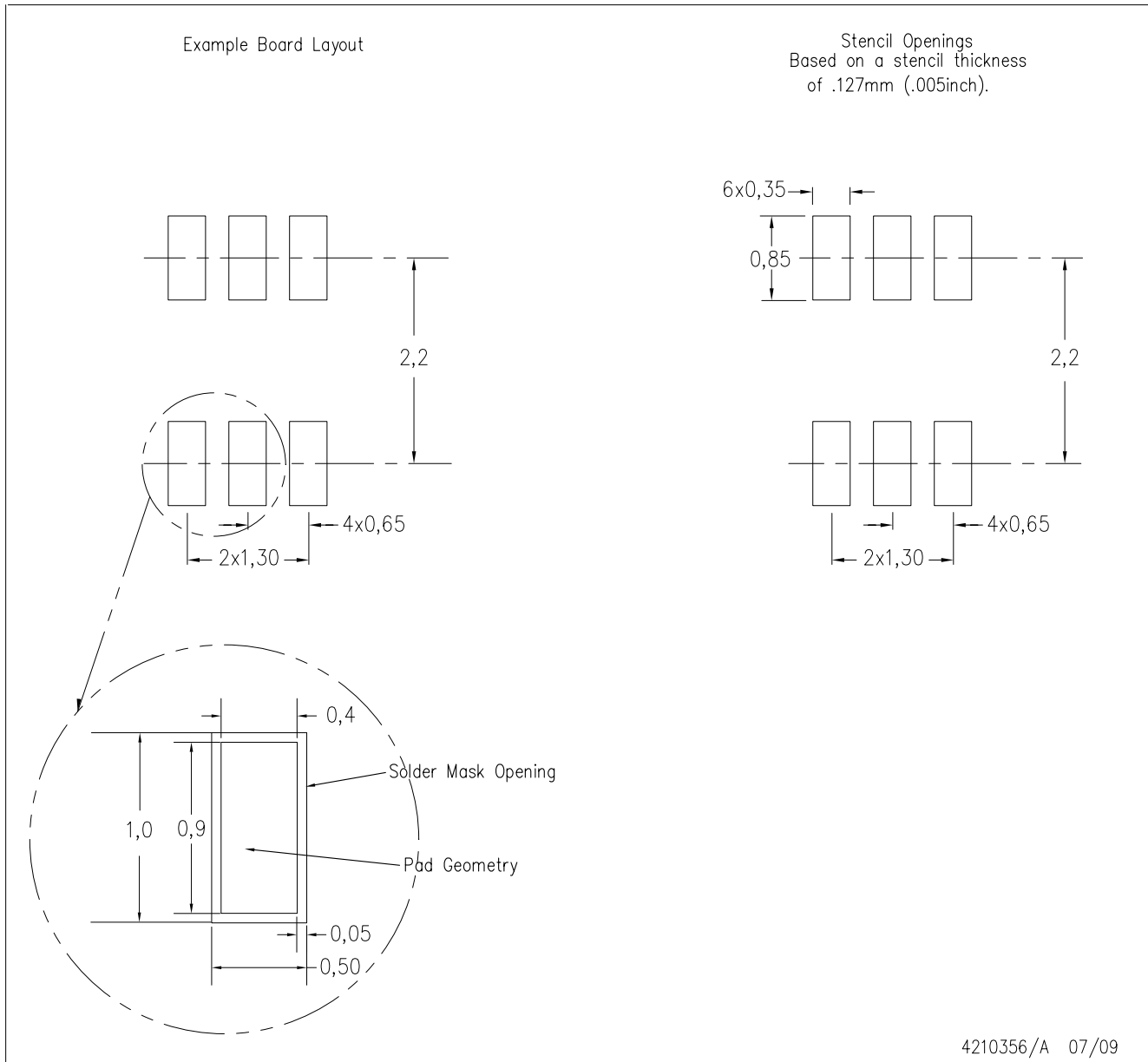
DCK (R-PDSO-G6)

PLASTIC SMALL-OUTLINE PACKAGE



- NOTES:
- A. All linear dimensions are in millimeters.
  - B. This drawing is subject to change without notice.
  - C. Body dimensions do not include mold flash or protrusion. Mold flash and protrusion shall not exceed 0.15 per side.
  - D. Falls within JEDEC MO-203 variation AB.

## DCK (R-PDSO-G6)



- NOTES:
- All linear dimensions are in millimeters.
  - This drawing is subject to change without notice.
  - Customers should place a note on the circuit board fabrication drawing not to alter the center solder mask defined pad.
  - Publication IPC-7351 is recommended for alternate designs.
  - Laser cutting apertures with trapezoidal walls and also rounding corners will offer better paste release. Customers should contact their board assembly site for stencil design recommendations. Example stencil design based on a 50% volumetric metal load solder paste. Refer to IPC-7525 for other stencil recommendations.

KTP (R-PSFM-G2)

PowerFLEX™ PLASTIC FLANGE-MOUNT PACKAGE

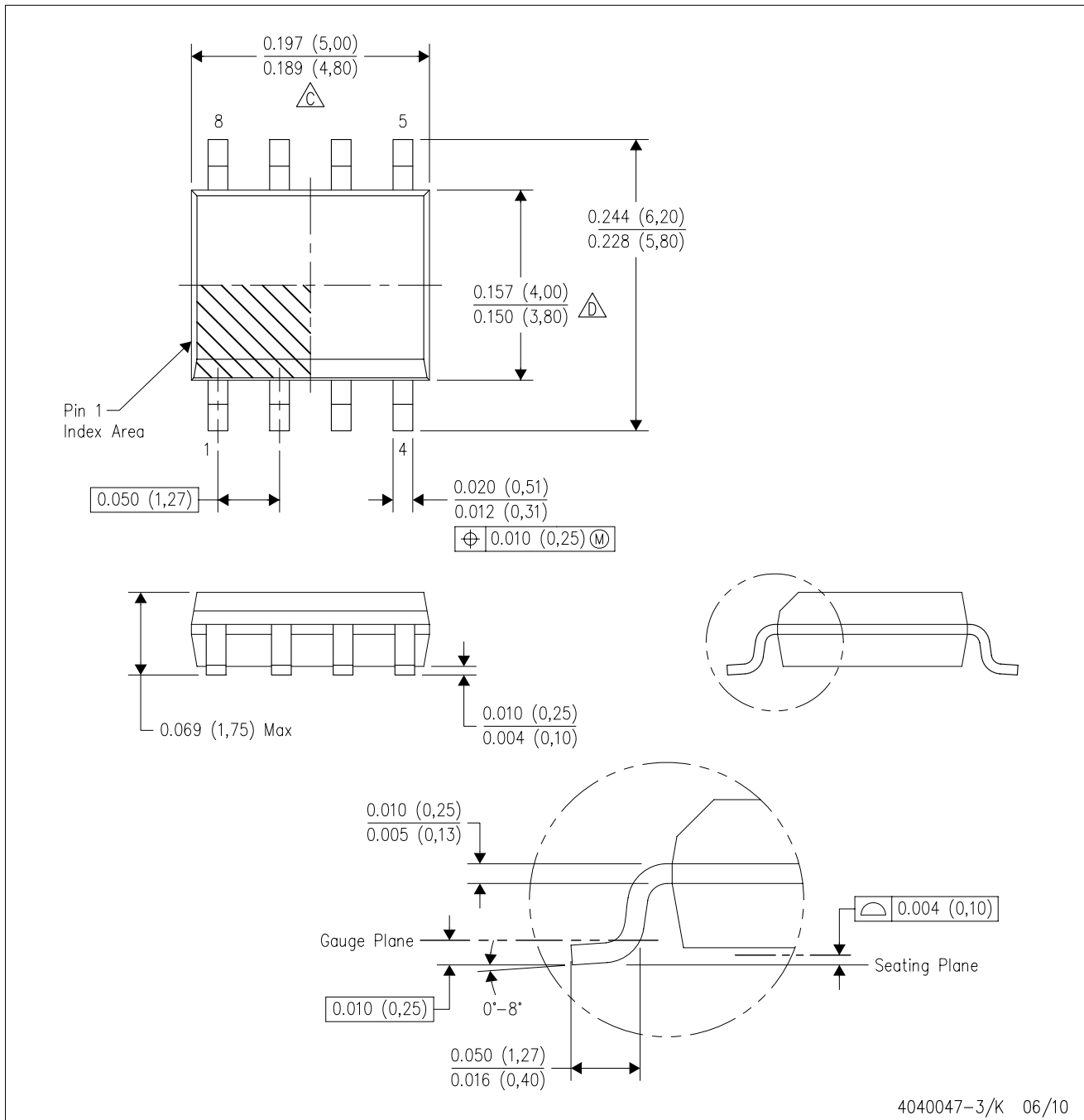


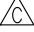

- NOTES: A. All linear dimensions are in inches (millimeters).  
 B. This drawing is subject to change without notice.  
 C. The center lead is in electrical contact with the thermal tab.  
 D. Dimensions do not include mold protrusions, not to exceed 0.006 (0,15).  
 E. Falls within JEDEC TO-252 variation AC.

PowerFLEX is a trademark of Texas Instruments.

D (R-PDSO-G8)

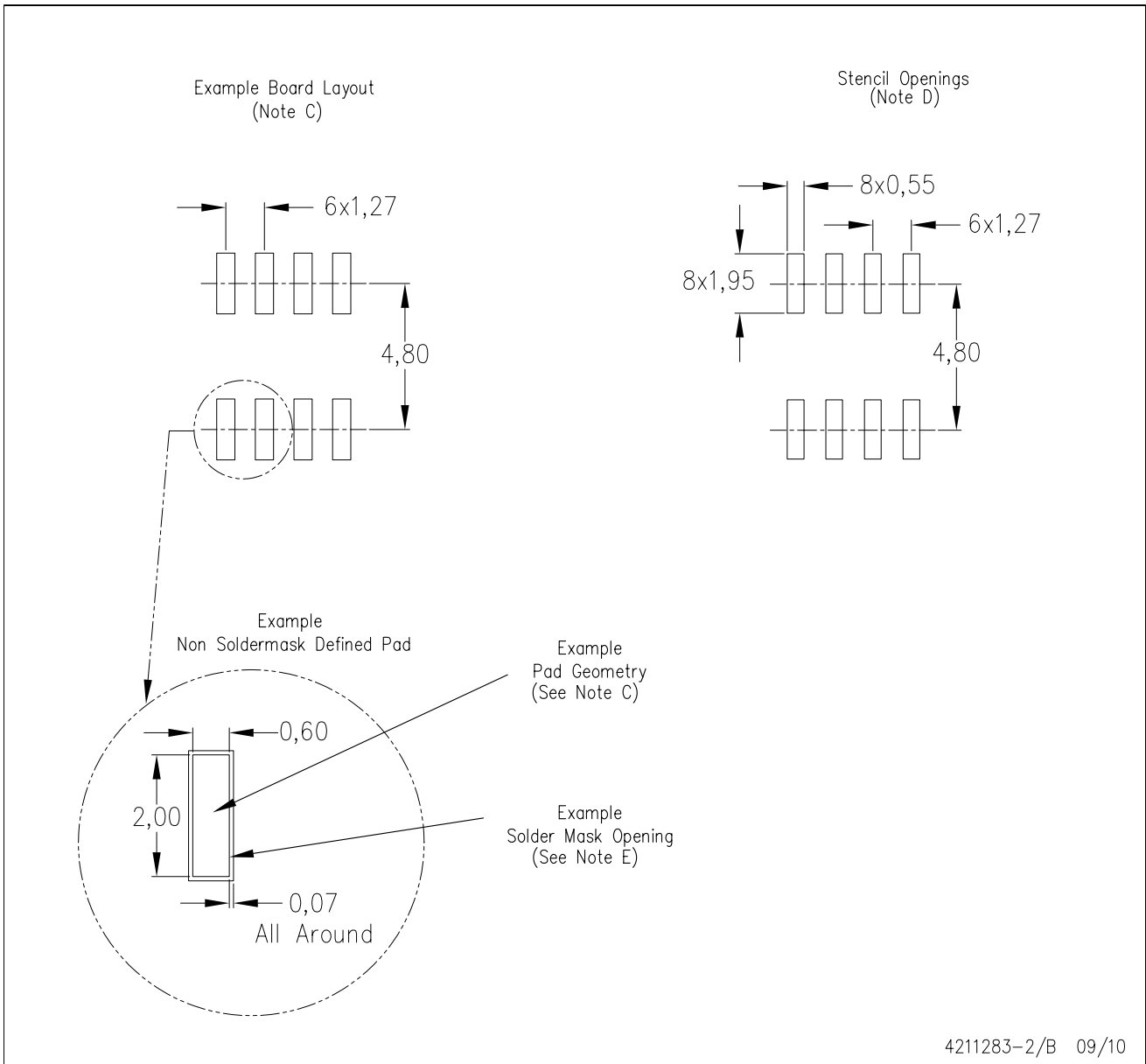
PLASTIC SMALL-OUTLINE PACKAGE



- NOTES:
- A. All linear dimensions are in inches (millimeters).
  - B. This drawing is subject to change without notice.
  -  Body length does not include mold flash, protrusions, or gate burrs. Mold flash, protrusions, or gate burrs shall not exceed .006 (0,15) per end.
  -  Body width does not include interlead flash. Interlead flash shall not exceed .017 (0,43) per side.
  - E. Reference JEDEC MS-012 variation AA.

D (R-PDSO-G8)

PLASTIC SMALL OUTLINE



- NOTES:
- A. All linear dimensions are in millimeters.
  - B. This drawing is subject to change without notice.
  - C. Publication IPC-7351 is recommended for alternate designs.
  - D. Laser cutting apertures with trapezoidal walls and also rounding corners will offer better paste release. Customers should contact their board assembly site for stencil design recommendations. Refer to IPC-7525 for other stencil recommendations.
  - E. Customers should contact their board fabrication site for solder mask tolerances between and around signal pads.

## MECHANICAL DATA

PS (R-PDSO-G8)

PLASTIC SMALL-OUTLINE PACKAGE





- NOTES:
- A. All linear dimensions are in millimeters.
  - B. This drawing is subject to change without notice.
  - C. Body dimensions do not include mold flash or protrusion, not to exceed 0,15.



LP (O-PBCY-W3)

PLASTIC CYLINDRICAL PACKAGE



- NOTES:
- A. All linear dimensions are in inches (millimeters).
  - B. This drawing is subject to change without notice.
  -  C. Lead dimensions are not controlled within this area
  -  D. Falls within JEDEC TO -226 Variation AA (TO-226 replaces TO-92)
  - E. Shipping Method:  
 Straight lead option available in bulk pack only.  
 Formed lead option available in tape & reel or ammo pack.

# MECHANICAL DATA

MSOT002A – OCTOBER 1994 – REVISED NOVEMBER 2001

LP (O-PBCY-W3)

PLASTIC CYLINDRICAL PACKAGE



- NOTES: A. All linear dimensions are in inches (millimeters).  
 B. This drawing is subject to change without notice.  
 C. Tape and Reel information for the Format Lead Option package.

PW (R-PDSO-G\*\*)

PLASTIC SMALL-OUTLINE PACKAGE

14 PINS SHOWN



4040064/F 01/97

- NOTES: A. All linear dimensions are in millimeters.  
 B. This drawing is subject to change without notice.  
 C. Body dimensions do not include mold flash or protrusion not to exceed 0,15.  
 D. Falls within JEDEC MO-153

## IMPORTANT NOTICE

Texas Instruments Incorporated and its subsidiaries (TI) reserve the right to make corrections, modifications, enhancements, improvements, and other changes to its products and services at any time and to discontinue any product or service without notice. Customers should obtain the latest relevant information before placing orders and should verify that such information is current and complete. All products are sold subject to TI's terms and conditions of sale supplied at the time of order acknowledgment.

TI warrants performance of its hardware products to the specifications applicable at the time of sale in accordance with TI's standard warranty. Testing and other quality control techniques are used to the extent TI deems necessary to support this warranty. Except where mandated by government requirements, testing of all parameters of each product is not necessarily performed.

TI assumes no liability for applications assistance or customer product design. Customers are responsible for their products and applications using TI components. To minimize the risks associated with customer products and applications, customers should provide adequate design and operating safeguards.

TI does not warrant or represent that any license, either express or implied, is granted under any TI patent right, copyright, mask work right, or other TI intellectual property right relating to any combination, machine, or process in which TI products or services are used. Information published by TI regarding third-party products or services does not constitute a license from TI to use such products or services or a warranty or endorsement thereof. Use of such information may require a license from a third party under the patents or other intellectual property of the third party, or a license from TI under the patents or other intellectual property of TI.

Reproduction of TI information in TI data books or data sheets is permissible only if reproduction is without alteration and is accompanied by all associated warranties, conditions, limitations, and notices. Reproduction of this information with alteration is an unfair and deceptive business practice. TI is not responsible or liable for such altered documentation. Information of third parties may be subject to additional restrictions.

Resale of TI products or services with statements different from or beyond the parameters stated by TI for that product or service voids all express and any implied warranties for the associated TI product or service and is an unfair and deceptive business practice. TI is not responsible or liable for any such statements.

TI products are not authorized for use in safety-critical applications (such as life support) where a failure of the TI product would reasonably be expected to cause severe personal injury or death, unless officers of the parties have executed an agreement specifically governing such use. Buyers represent that they have all necessary expertise in the safety and regulatory ramifications of their applications, and acknowledge and agree that they are solely responsible for all legal, regulatory and safety-related requirements concerning their products and any use of TI products in such safety-critical applications, notwithstanding any applications-related information or support that may be provided by TI. Further, Buyers must fully indemnify TI and its representatives against any damages arising out of the use of TI products in such safety-critical applications.

TI products are neither designed nor intended for use in military/aerospace applications or environments unless the TI products are specifically designated by TI as military-grade or "enhanced plastic." Only products designated by TI as military-grade meet military specifications. Buyers acknowledge and agree that any such use of TI products which TI has not designated as military-grade is solely at the Buyer's risk, and that they are solely responsible for compliance with all legal and regulatory requirements in connection with such use.

TI products are neither designed nor intended for use in automotive applications or environments unless the specific TI products are designated by TI as compliant with ISO/TS 16949 requirements. Buyers acknowledge and agree that, if they use any non-designated products in automotive applications, TI will not be responsible for any failure to meet such requirements.

Following are URLs where you can obtain information on other Texas Instruments products and application solutions:

| <b>Products</b>             |  | <b>Applications</b>        |  |
|-----------------------------|--|----------------------------|--|
| Amplifiers                  | <a href="http://amplifier.ti.com">amplifier.ti.com</a>             | Audio                      | <a href="http://www.ti.com/audio">www.ti.com/audio</a>                                   |
| Data Converters             | <a href="http://dataconverter.ti.com">dataconverter.ti.com</a>     | Automotive                 | <a href="http://www.ti.com/automotive">www.ti.com/automotive</a>                         |
| DLP® Products               | <a href="http://www.dlp.com">www.dlp.com</a>                       | Communications and Telecom | <a href="http://www.ti.com/communications">www.ti.com/communications</a>                 |
| DSP                         | <a href="http://dsp.ti.com">dsp.ti.com</a>                         | Computers and Peripherals  | <a href="http://www.ti.com/computers">www.ti.com/computers</a>                           |
| Clocks and Timers           | <a href="http://www.ti.com/clocks">www.ti.com/clocks</a>           | Consumer Electronics       | <a href="http://www.ti.com/consumer-apps">www.ti.com/consumer-apps</a>                   |
| Interface                   | <a href="http://interface.ti.com">interface.ti.com</a>             | Energy                     | <a href="http://www.ti.com/energy">www.ti.com/energy</a>                                 |
| Logic                       | <a href="http://logic.ti.com">logic.ti.com</a>                     | Industrial                 | <a href="http://www.ti.com/industrial">www.ti.com/industrial</a>                         |
| Power Mgmt                  | <a href="http://power.ti.com">power.ti.com</a>                     | Medical                    | <a href="http://www.ti.com/medical">www.ti.com/medical</a>                               |
| Microcontrollers            | <a href="http://microcontroller.ti.com">microcontroller.ti.com</a> | Security                   | <a href="http://www.ti.com/security">www.ti.com/security</a>                             |
| RFID                        | <a href="http://www.ti-rfid.com">www.ti-rfid.com</a>               | Space, Avionics & Defense  | <a href="http://www.ti.com/space-avionics-defense">www.ti.com/space-avionics-defense</a> |
| RF/IF and ZigBee® Solutions | <a href="http://www.ti.com/lprf">www.ti.com/lprf</a>               | Video and Imaging          | <a href="http://www.ti.com/video">www.ti.com/video</a>                                   |
|                             |  | Wireless                   | <a href="http://www.ti.com/wireless-apps">www.ti.com/wireless-apps</a>                   |

Mailing Address: Texas Instruments, Post Office Box 655303, Dallas, Texas 75265  
Copyright © 2010, Texas Instruments Incorporated