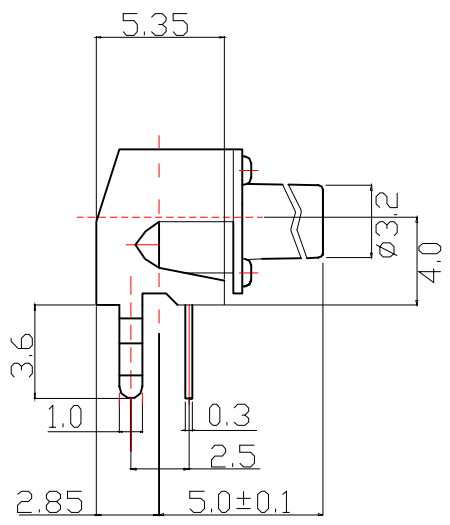
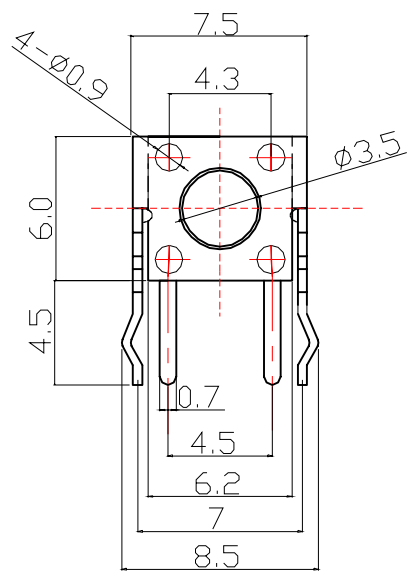
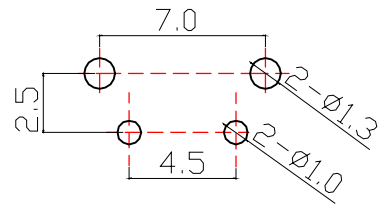
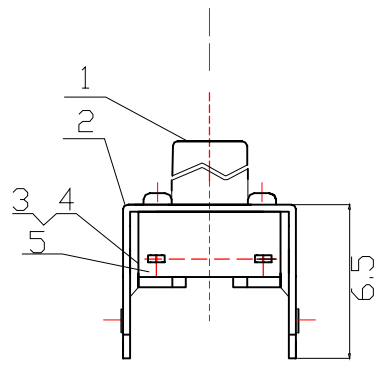
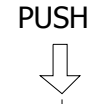


尺寸范围	未注公差值
0~3	±0.1
3~6	±0.15
6~9	±0.2
9~12	±0.25
12~15	±0.3

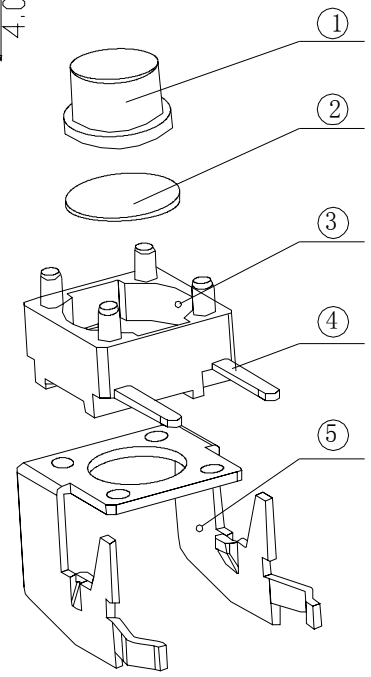


客户专用

产品高度 (H)
4.3
5.0
6.0
⋮
2 6



印制线路板
P. C. B. HOLE DETAIL



5	支架盖板	铁皮	----	铜锡
4	嵌件	黄铜	----	镀银
3	基座	PA66/PPA	黑色	----
2	簧片	覆银铜	----	外购
1	帽头	PA66/PPA	黑/白/红	----
序号 NO	名称 DESCRIPTION	材料 MATERIAL	数量	备注 REMARK

CUSTOMER COPY 名称 TITLE: 轻触开关立式系列内部图

型号 TYPE NO: 6*6*5H支架

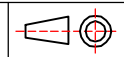
材料 MATERIAL

图号 DRAWING: A 状态码

SCALE 5:1 UNRT mm A4

工程变更通知单 ECN (DCN) NO	版本 REV	日期 DATE	说明 DESCRIPTION	改变 CHANGE	承认 APPRO	GENERAL TOLERANCE UNLESS OTHERWISE NOTEO
	PA	2013.4.12	市场部			

DESIGN	设计	朱 普
CHECH	校对	肖学兵
CHECK	审定	
APPRO	承认	



TACT SWITCH SPECIFICATION(轻触开关说明书)

1. General specification 基本说明

.1.1 Scope 范围 This specification covers the requirements for single key switches which have no keytop (TACT SWITCHES:MECHANICAL CONTACT). 此规范涵盖单推柄和无推柄的轻触开关要求。

.2.2 Operating Temperature Range 使用温度范围
-20 to 70 °C (normal humidity, normal press). 正常湿度, 标准压力

.3.3 Storage Temperature Rang 保存温度范围
-20 to 80 °C (normal humidity, normal press).

.4.4 Test Conditions 测试条件

Tests and measurements shall be made in the following standard cnditions unless otherwise specified:
测试和计量按下列标准条件除非特殊说明

Normal temperature (temperature 5 to 35°C) 标准温度

Normal humidity (relative humidity 45 to 85%) 正常湿气

Normal pressure (pressure 860 to 1060 mbars) 标准压力

In case any question arises from the judgement made, tests shall be conducted in the following conditions:

Temperature (20±2°C) 温度

Relative humidity (65±5%) 相对湿度

Pressure (860 to 1060 mbars) 压力

2. APPEARANCE, STYLE, AND DIMENSIONS 外形, 类型和尺寸

.2.1 Appearance 外形

There shall be no defects that affect the serviceability of the product 外形必须无缺陷才不影响产品适用性

.2.2 Style and Dimensions 类型和尺寸

Shall conform to the assembly drawings. 符合装配图

3. TYPE OF ACTUATION 动作类型

Tactile feedback 轻触返回

4. CONTACT ARRANGEMENT 1 poles 1 throws 接触形式 1接点 1回路

(Details of contact arrangement are given in the assembly drawings).

细接点形式在装配图中

5. MAXIMUM RATINGS DC 12 V 50 mA 最大额定值

						APPD	CHKD	DSGD	MODEL NO:	
									支架	
										2/10
ZONE	SYMB	DATE	APPD	CHKD	DSGD					

TACT SWITCH SPECIFICATION(轻触开关说明书)

6.2 Mechanical 机械特性

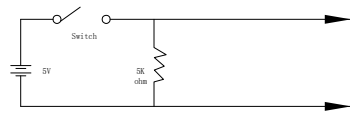
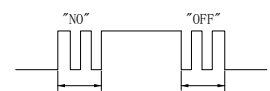
Item 项目	Test Condition 试验条件	Requirements 规格
6.2.1. Actuating Force 动作力	Placing the switch such that the direction of switch operation is vertical and then gradually increasing the load applied to the center of the stem, the maximum load required for the stem to come to a stop shall be measured. 开关的动作方向为垂直放置开关向推柄中心逐渐增加负荷直到推柄停止时所测量的最大负荷	<u>250</u> ± 30 gf
6.2.2. Travel 行程	Placing the switch such that the direction of switch operation is vertical and then applying a static load twice the actuation force to the center of the stem, the travel distance for the stem to come to a stop shall be measured. 开关的动作方向为垂直放置开关，在已有行程的推柄中心向上减小压力，推柄回到自由位置时所测到的力	0.3 ± 0.1mm
6.2.3. Return Force 返回力	The sample switch is installed such that the direction of switch operation is vertical and, upon depression of the stem in its center the whole travel distance, the force of the stem to return to its free position shall be measured. 开关的动作方向垂直放置开关，在已有行程的推柄中心向上减小压力，推柄回到自由位置时所测量到的力	_____ ± 20 gf min
6.2.4. Stop Strength 静止强度	Placing the switch such that the direction of switch operation is vertical, a static load of <u>3</u> kgf shall be applied in the direction of stem operation for a period of <u>60</u> seconds. 开关的动作方向为垂直放置开关，在推柄动作方向施加 3 KG 的静负荷，60 秒时间	There shall be no sign of damage mechanically and electrically 无机械的和电气的损伤迹象
6.2.5. Stem Strength 推柄的强度	Placing the switch such that the direction of switch operation is vertical, the maximum force to withstand a pull applied oppsite to the direction of stem operation shall be measured. 开关的动作方向为垂直放置开关从推柄动作方向反方向施加拉力所测量到的最大承受力	3 kgf

						APPD	CHKD	DSGD	MODEL NO: 支架	
ZONE	SYMB	DATE	APPD	CHKD	DSGD				4/10	

TACT SWITCH SPECIFICATION (轻触开关说明书)

6. PERFORMANCE 性能

6.1 Electrical 电气

Item 项目	Test Condition 试验条件	Requirements 要求
6.1.1. Contact Resistance 接触电阻	Applying a static load twice the actuating force to the center of the stem, measurements shall be made with a 1 kHz small-current contact resistance meter. 用两倍的动作用力作静负载施加于按钮的中心，并用 1 千赫小电流接触电阻仪测量	<u>50</u> mΩmax.
6.1.2. Insulation Resistance 绝缘电阻	Measurements shall be made following application of DC 100 V potential across terminals and across terminals and frame for one minute. 在端子之间，端子与外壳之间施加 DC100V，一分钟	<u>100</u> MΩmin
6.1.3. Dielectric Withstanding voltage 电气耐压	AC250V (50Hz or 60Hz) shall be applied across terminals and across terminals and frame for one minute. 在端子与端子之间，端子与外壳之间施加 AC250V(50Hz or 60Hz)	There shall be no breakdown 没有击穿
6.1.4. Bounce 抖动	Lightly striking the center of the stem at a rate encountered in normal use (3 to 4 operations per sec), Bounce shall be tested at "ON" and "OFF" 在正常使用中(以每秒 3-4 次周期)轻轻地在手柄中心加力，在通与断瞬间测试抖动。 <div style="text-align: center;">   </div>	<u>5</u> m sec max .

						APPD	CHKD	DSGD	MODEL NO: 支架
ZONE	SYMB	DATE	APPD	CHKD	DSGD				3/10

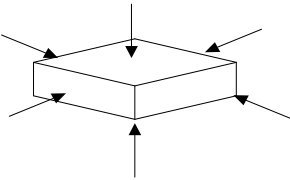
TACT SWITCH SPECIFICATION (轻触开关说明书)

6.3 Environmental 环境

Item 项目	Test Condition 试验条件	Requirements 要求
6.3.1. Resistance to Low Temperatures 耐低温	Following the test set forth below the sample shall be left in normal temperature and humidity conditions for one hour before measurements are made: 样品按下列条件进行耐低温试验, 测试前在正常温度和湿度条例上放置 1 小时 (1) Temperature: $-30 \pm 2^{\circ}\text{C}$ 温度 (2) Time: 96 hours 时间 (3) Water drops shall be removed 擦除水珠	Item 6.1 Item 6.2.1 Item 6.2.2
6.3.2. Heat Resistance 耐热	Following the test set forth below the sample shall be left in normal temperature and humidity conditions for one hour before measurements are made: 样品按下列条件进行耐热试验, 测试前在正常温度和湿度条件下放置 1 小时 (1) Temperature: $240 \pm 5^{\circ}\text{C}$ 温度 (2) Time: 96 hours 时间	Item 6.1 Item 6.2.1 Item 6.2.2
6.3.3. Moisture Resistance 耐潮湿	Following the test set forth below the sample shall be left in normal temperature and humidity conditions for one hour before measurements are made: 样品按下列条件进行耐潮湿试验, 测试前在正常温度和湿度条件下放置 1 小时 (1) Temperature: $60 \pm 2^{\circ}\text{C}$ 温度 (2) Relative humidity: 90 to 95% 相对湿度 (3) Time: 96 hours 时间 (4) Water drops shall be removed 擦除水珠	Item 6.1 Item 6.2.1 Item 6.2.2
6.3.4. Temperature Cycling 温度循环	Following the test set forth below the sample shall be left in normal temperature and humidity conditions for one hour before measurements are made. 样品按下列条件进行温度循环试验, 测试前在正常温度和湿度条件下放置 1 小时 During this test, water drops shall be removed, 在试验期间, 擦除水珠。 <div style="text-align: center;"> </div>	Item 6.1 Item 6.2.1 Item 6.2.2
	APPD CHKD DSGD	PARTNO: 支架
ZONE SYMB DATE APPD CHKD DSGD		
		5/10

TACT SWITCH SPECIFICATION(轻触开关说明书)

6.4 Endurance 耐久性

Item 项目	Test Condition 试验条件	Requirements 要求
<p>6.4.1. Operating Life 动作寿命</p>	<p>Measurements shall be made following the test set forth below:</p> <p>(1)DC 5V 5mA resistive load . DC 5V 5mA 阻性负载</p> <p>(2) Rate of operation : 2 to 3 operations per second 动作频率: 2-3 次/每秒</p> <p>(3)Depression : _____ gf 动作力</p> <p>(4) Cycles of operation: <u>50, 000</u>cycles 动作次数 <u>50, 000</u></p>	<p>Contact resistance: 50m Ω max 接触电阻</p> <p>Insulation resistance 100M Ω min.绝缘电阻</p> <p>Actuating force: 动作力 + <u>30</u> % or -<u>30</u>%of initial force. ± 30% 初始动作力</p> <p style="text-align: right;">Item 6.1.3 Item 6.2.2</p>
<p>6.4.2. Vibration Resistance 耐振动</p>	<p>Measurements shall be made following the test set forth below: 按下列条件进行抗振动试验</p> <p>(1) Range of oscillation : 10 to 55 Hz 频率范围</p> <p>(2) Amplitude, pk-to -pk : 1.5mm 振幅: 峰-峰 1.5mm</p> <p>(3) Cycle of sweep : 10-55-10Hz in one minute, approx</p> <p>(4) Mode of sweep : Logarithmically sweep or</p> <p>(5) uniform sweep. 扫描周期: 10-55-10-Hz 约一分钟内</p> <p>(6) Direction of oscillation: 振动方向 Three mutually perpendicular directions, including the direction of stem travel, 3 个相互垂直方向, 包括推柄行程方向</p> <p>(7) Duration of testing 持续时间 2 hours each ,for a total of 6hours. 每方向 2 小时, 共 6 小时</p>	<p>Item 6.1 Item 6.2.1 Item 6.2.2</p>
<p>6.4.3. Impact Shock Resistance 抗冲击</p>	<p>Measurements shall be made following the test set forth below: 按下列条件进行冲击试验</p> <p>(1) Acceleration : 80g 加速度</p> <p>(2) Cycles of test :3 cycles each in 6 directions,</p> <p>(3) for a total of 18cycles 试验次数: 每个方向 3 次, 6 个方向共 18 次</p> <div style="text-align: center;">  </div>	<p>Item 6.1 Item 6.2.1 Item 6.2.2</p>

						APPD	CHKD	DSGD	PARTNO: 支架	
										6/10
ZONE	SYMB	DATE	APPD	CHKD	DSGD					

TACT SWITCH SPECIFICATION(轻触开关说明书)

7.Conditions for soldering 焊接条件

Reflow soldering conditions 回流焊条件

Preheat: Temperature on the copper foil surface should reach 180°C, 2 ± 0.3 minutes after

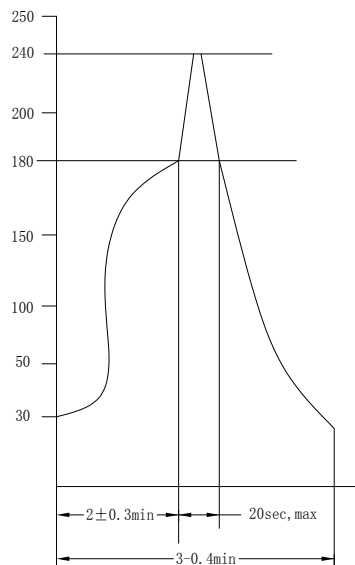
The P.W.B entered into the soldering equipment

预热: 在 P.W.B(印刷线路板)进入焊接设备后, 2 ± 0.3 分钟内铜箔表面要达到 180°C

Soldering heat: Temperature on the copper foil surface should reach the peak temperature of 240°C

within 20 seconds after the P.W.B entered into soldering heat zone.

焊接温度: 在 P.W.B (印刷线路板)进入焊接温区 20 秒内, 铜箔表面达到峰值温度 240°C



**Time inside soldering Equipment
Temperature Profile**

						APPD	CHKD	DSGD	PARTNO: 支架	
										7/10
ZONE	SYMB	DATE	APPD	CHKD	DSGD					

TACTING SWITCH SPECIFICATION (轻触开关说明书)

7.1 Other precautions 其他注意事项

(1) Following the soldering process, do not try to clean the switch with a solvent or the like .

进行焊接过程中，不可以用溶剂或类似品清洗开关

(2) Safeguard the switch assembly against flux penetration from its top side.

防止助焊剂从开关的顶端渗入。

(3) Please have the products keep in close status and the storage time is 90 days guaranty after delivering the goods at most.

交货后保证开关处于封密状态并库存时间不超过 90 天以上

						APPD	CHKD	DSGD	PARTNO:	
									支架	
										8/10
ZONE	SYMB	DATE	APPD	CHKD	DSGD					

ZONE	SYMB	DATE	APPD	CHKD	DSGD					
------	------	------	------	------	------	--	--	--	--	--

型号	名称:
TC-1101A	轻触开关包装规格

包装规格

1. 使用范围

此包装规格适用于本公司轻触开关 TSTP66H 的包装

2. 包装材料

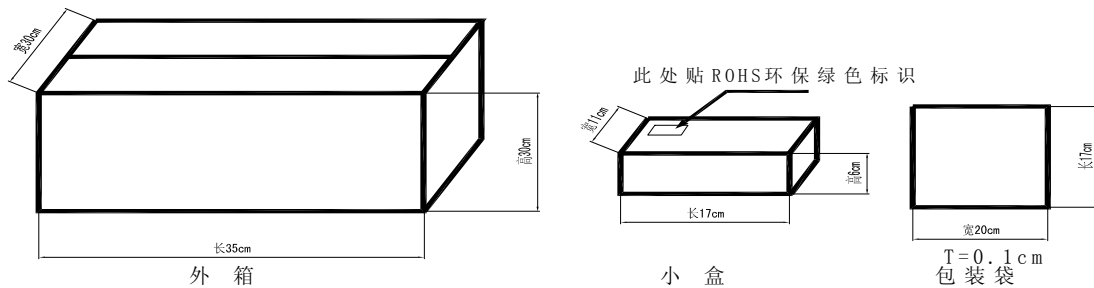
内容	使用材料
外箱	纸壳箱子
小盒(白)	纸壳箱子
包装袋	塑料包装袋

3. 包装单位

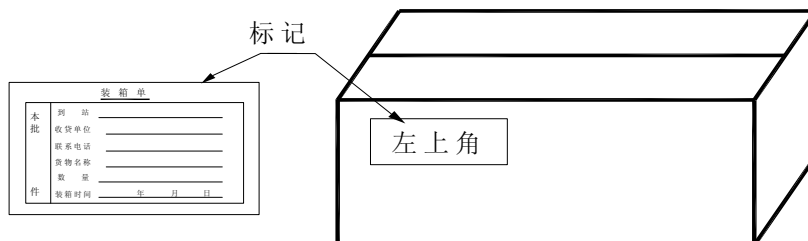
- 1) 外箱: 每箱 100000PCS (装 25 个小盒)
- 2) 小盒: 每盒 4000 PCS (装 4 个包装袋)
- 3) 包装袋: 每袋 1000 PCS

4. 包装规格及要求

- 1) 把规定数量的产品装入包装袋内, 并放入检验员签发的合格证, 然后再封装。
- 2) 将封好的包装袋装入小盒内, 一盒装两袋, 点数后用胶带封装后加盖印章(内容): “产品型号”“数量”“克力”
- 3) 将印好后的小盒逐一装入外箱内, 每箱装 25 小盒, 装好后用胶带封装并在左上角贴上装箱单。



5. 外箱标记说明



					APPD	CHKD	DSGD	PARTNO: 支架
--	--	--	--	--	------	------	------	------------

MATERIAL CERTIFICATE OF CONFIRMATION

材料确认书

								10/10
NO	DATE	APPR	CHECK	DESIGN				

CUSTOMER 客户	
MODEL 型号(品名)	轻触开关 -
QUANTITY 数量	1 SHEET 1 张

DATE 日期	08-08-30
---------	----------

SENIAL NUMBER 序号	INGREDIENT 成份	MATERIAL 材 料	COLOR 颜色	SGS CARD BOOK NUMBER SGS 证书号	MATERIAL. HABITAT 原材料产地
1	TERMINAL 接触脚	H62Y 0.3t 黄铜 0.3 厚	SILVER-WHILTE 银白色	SH569046/CHEM	LongTai ShangHai 上海 隆泰
2	FOUNDATION 底基	PA66(45%) 尼龙 66(45%增强)	BLACK 黑色	SH535140/CHEM	SuoPu ShangHai 上海 索普
3	SHRAPNEL 弹片	0.06t Ag Clad 0.06 厚 覆银铜	YELLOW 黄色	SH569044/CHEM	ChangSheng South Korea 韩国 昌盛
4	BUTTON 按钮	PA66(45%) 尼龙 66(45%增强)	BLACK 黑色	SH535140/CHEM	SuoPu ShangHai 上海 索普
5	LAP 盖板	H62Y 0.3t Ag Plates 黄铜 0.3 厚	SILVER-WHILTE 银白色	SH569046/CHEM	LongTai ShangHai 上海 隆泰

WE HEREBY CERTIFY THAT ABOVE MENTIONED DESCRIPTION ARE TRUE.

我们特此证明上面的描述是真实的