

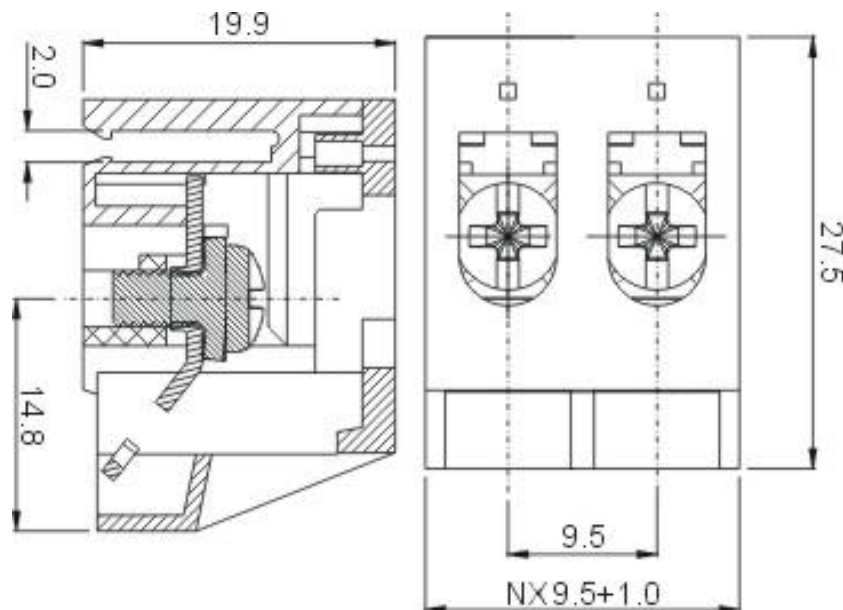


DEGSON ELECTRONICS CO., LTD.

Product Specification

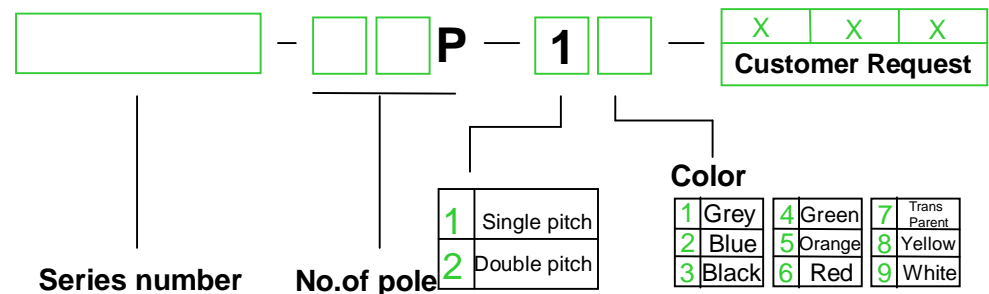


TSB2.5



| | | |
|----------------------|--------------------------|------------------------|
| APPROVAL | | |
| Electrical | | |
| Standard | UL | IEC |
| Rated voltage | 600V | 250V |
| Rated current | 10A | 24A |
| Wire range | 20-12AWG | 0.5-2.5mm ² |
| Withstanding voltage | AC2000V/1Min | |
| Mechanical | | |
| Torque | 0.5Nm(4.4Lb-In) | |
| Ambient temperature | -40°C~+105°C | |
| Strip length | 8-10mm | |
| Dimensions | | |
| Pitch | 9.5mm(.374") | |
| Poles | 2P | |
| Material | | |
| Housing | PA66,UL94V-0 | |
| Screws | M3, Steel,Cr3+ Zn plated | |
| Contact | Copper, Tin plated | |

HOW TO ORDER :



| | |
|--------------------------|---|
| mm (INCH) | DEGSON ELECTRONICS CO., LTD. |
| THROANGLE PROJECTION | NAME TSB2.5 |