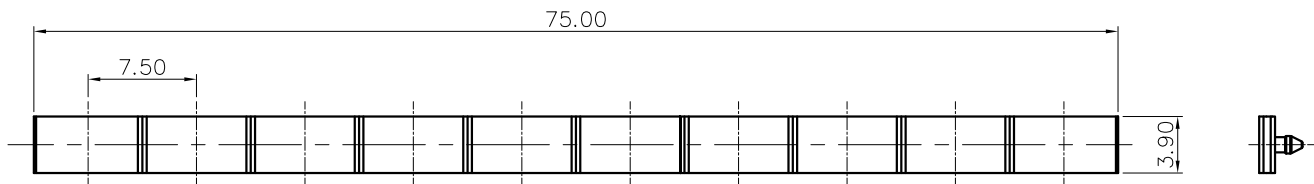


REVISION RECORD				
REV	ECN	DESCRIPTION	DRFT	DATE

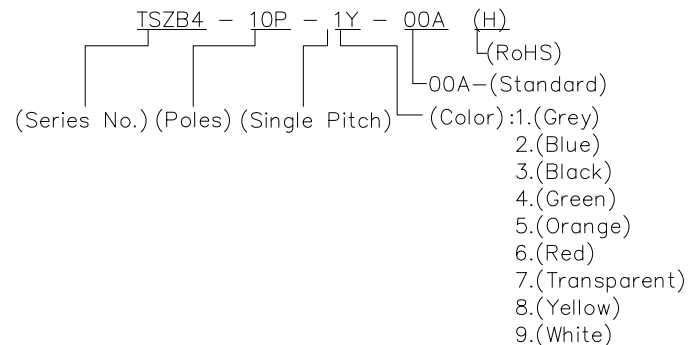
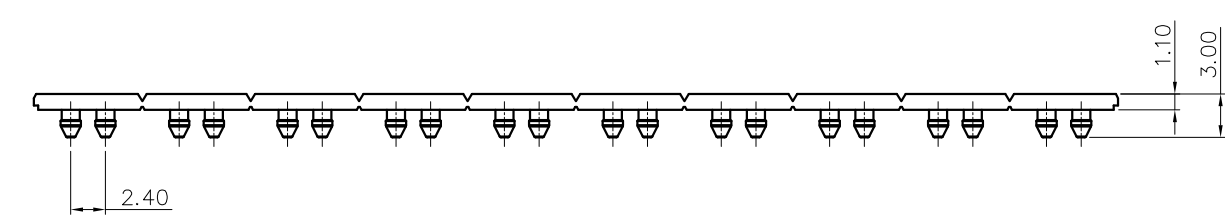


NOTES:

- 1.Dimension shall be interpreted per ASME Y14.5-2009
- 2.Pitch : 7.5mm, Poles : N=10P
- 3.Operating temperature: -40°C~+105°C
- 4.Undimensioned Tolerances:

Pitch range in mm		Nominal dimension range in mm					-	∩	∇
TO	Over	Over	TO	Over	Over	Over	0.1/10		
6	10	10	24	30	60	100	150	<	
±0.15	±0.20	±0.30	±0.30	±0.50	±0.70	±1.00	±1.30	±2'	

5.RoHS Compliance



DETACHED LISTS	PART NO.:	宁波高松电子有限公司 NINGBO DEGSON ELECTRICAL CO., LTD			
	APPD:	NAME: TSZB4-10P-1Y-00A(H)			
	CHKD:	TITLE: CUSTOMER DRAWING			
	DRFT:	DRAWING NO.:		REV	DO
		MM (INCH)	DO NOT SCALE DRAWING	SHEET	1/1
			SCALE	1:1	