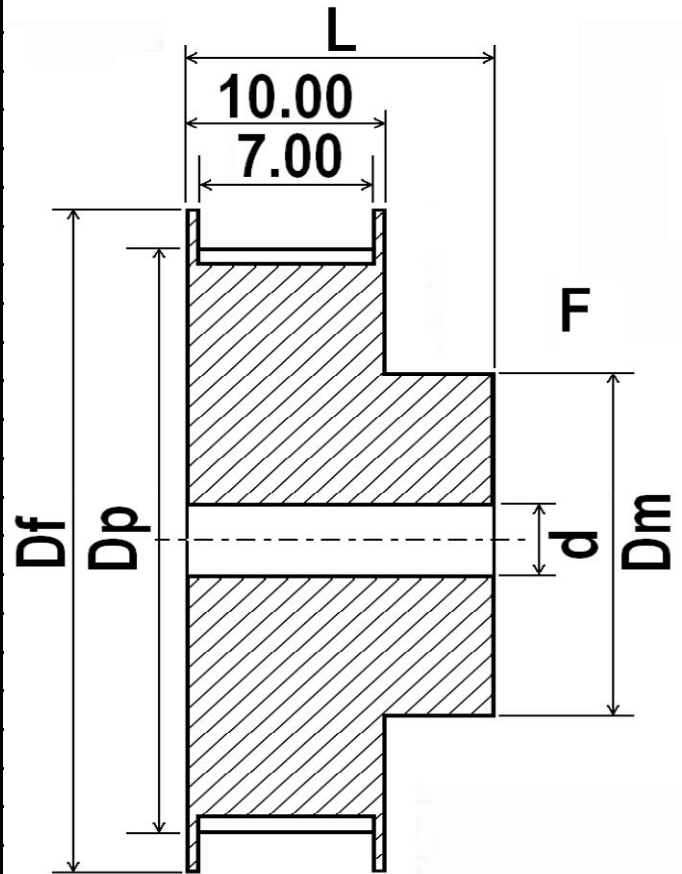




Model: 2GT-Series pitch: 2.0, tooth profile: trapezoid, for 6MM timing belt.

Order Code	Synchronous Timing Pulley Aluminium Alloy						Grub Screw
	Teeth	d	Dm	Dp	Df	L	
180243	16	5	12.9	9.7	12.9	14.0	M3
180248	20	4	16.0	12.2	16.0	16.0	M4
180247	20	5	16.0	12.2	16.0	16.0	M4
180253	20	6	16.0	12.2	16.0	16.0	M4
180251	20	6.35	16.0	12.2	16.0	16.0	M4
180256	20	8	16.0	12.2	16.0	16.0	M4
180254	25	5	18.0	15.4	18.0	16.0	M4
180250	25	6	18.0	15.4	18.0	16.0	M4
180238	25	8	18.0	15.4	18.0	16.0	M4
180237	30	5	15.0	18.6	22.0	17.0	M4
180255	30	6	15.0	18.6	22.0	17.0	M4
180241	30	8	15.0	18.6	22.0	17.0	M4
180252	30	10	15.0	18.6	22.0	17.0	M4
180236	40	5	19.0	25.0	28.0	17.0	M4
180258	40	6	19.0	25.0	28.0	17.0	M4
180....	40	8	19.0	25.0	28.0	17.0	M4
180239	40	10	19.0	25.0	28.0	17.0	M4
180240	40	12	19.0	25.0	28.0	17.0	M4
180245	40	8	19.0	25.0	28.0	17.0	M4
180249	60	5	20.0	37.7	42.0	17.0	M4
180244	60	6	20.0	37.7	42.0	17.0	M4
180246	60	8	20.0	37.7	42.0	17.0	M4
180242	60	10	20.0	37.7	42.0	17.0	M4
180257	60	12	20.0	37.7	42.0	17.0	M4
180....	80	5	30.0	50.5	55.0	20.0	M5
180....	80	8	20.0	50.5	55.0	20.0	M5
180....	80	10	20.0	50.5	55.0	20.0	M5
180....	80	12	20.0	50.5	55.0	20.0	M5
180....	80	14	20.0	50.5	55.0	20.0	M5



2GT Belt 6mm Wide, 2.0mm. Synchronous Transmission Belt Toothed Rubber Belt

Order Code	Timing Belt		
	Size	circumference	Teeth
18.....	200		
18.....	232		
18.....	280		
18.....	400		
18.....	600		
18.....	900		
18.....	1220		

