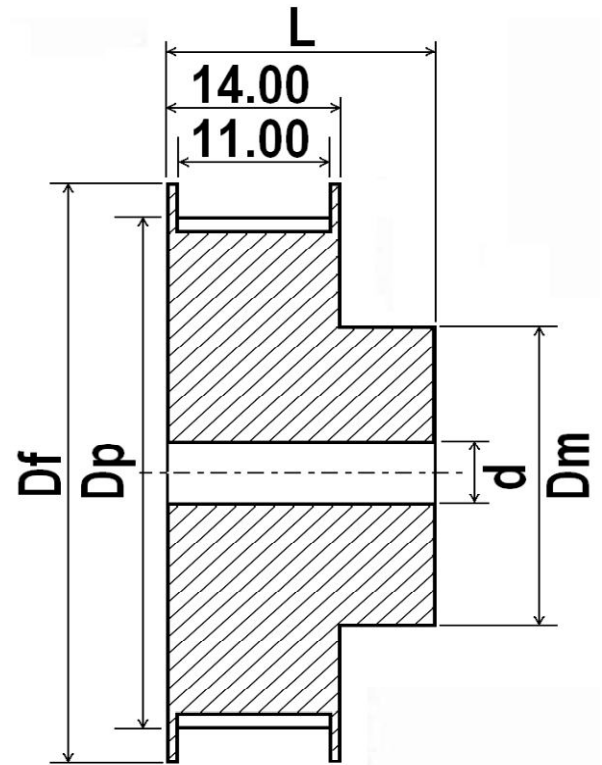


**Model: XL-Series pitch: 5.08, tooth profile: trapezoid, for 10MM timing belt.**

Order Code	Synchronous Timing Pulley Aluminium Alloy						Grub Screw
	Teeth	d	Dm	Dp	Df	L	
180226	10	4	18.5	15.7	18.5	20.0	M4
180231	10	5	18.5	15.7	18.5	20.0	M4
180223	10	6	18.5	15.7	18.5	20.0	M4
1802...	10	8	18.5	15.7	18.5	20.0	M4
180220	20	4	20.0	31.8	35.5	21.0	M4
180234	20	5	20.0	31.8	35.5	21.0	M4
180233	20	6	20.0	31.8	35.5	21.0	M4
180228	20	8	20.0	31.8	35.5	21.0	M4
180232	20	10	20.0	31.8	35.5	21.0	M4
180215	25	5	26.0	39.9	44.0	24.0	M5
180224	25	8	26.0	39.9	44.0	24.0	M5
180222	25	10	26.0	39.9	44.0	24.0	M5
180217	30	5	26.0	48.0	52.0	24.0	M5
180230	30	8	26.0	48.0	52.0	24.0	M5
180235	30	10	26.0	48.0	52.0	24.0	M5
180225	30	12	26.0	48.0	52.0	24.0	M5
180221	40	8	35.0	64.2	68.0	24.0	M5
180227	40	10	35.0	64.2	68.0	24.0	M5
180229	40	12	35.0	64.2	68.0	24.0	M5



**XL Belt 10mm Wide, 5.08mm. Synchronous Transmission Belt Toothed Rubber Belt**

Order Code	Timing Belt		
	Size	circumference	Teeth
180216	80XL	203.2	40
180219	100XL	254.0	50
180218	150XL	381.0	75
180214	180XL	547.2	90
180212	200XL	508.0	100
180213	250XL	635.0	125

