

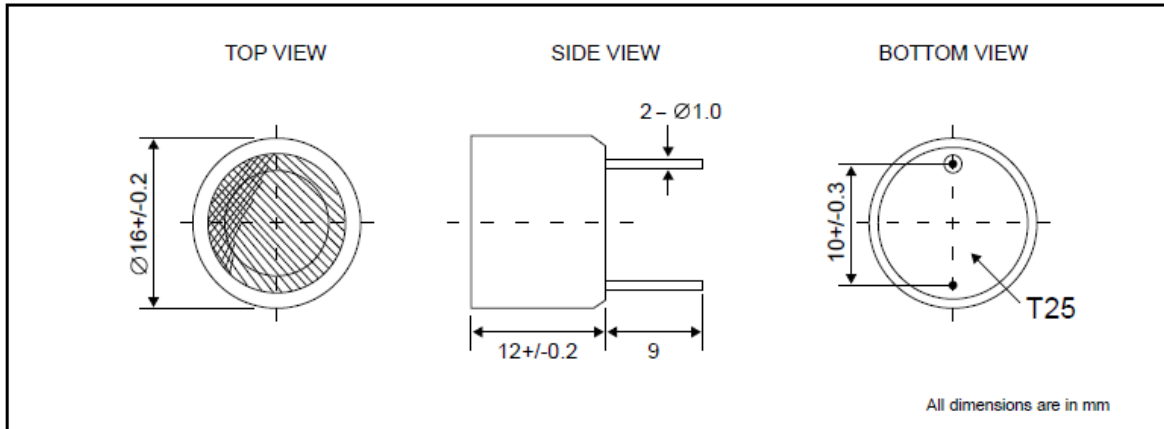
MIEC

Ultrasonic Sensor

SU16 series

DIMENSIONS

Date : 14 May, 2010



Ref. no. : DR130-R



ELECTRICAL SPECIFICATIONS

| | | |
|-----------------------|-------------------|-----------------------------|
| Model No. | | UT1612MPR-25 |
| Construction | | Open Structure |
| Function | | Transmitter |
| Center Frequency | [Hz] | 25K +/- 1K |
| Overall Sensitivity | [dBA] | -- |
| Sound Pressure Level | [at 10Vrms, 30cm] | 110 dB min. [0dB = 0.02mPa] |
| -6dB Direction | [degree] | 80 max. |
| Capacitance | [at 1kHz] | 2200 pF +/- 25% |
| Max. Input Voltage | [Vp-p] | 20 |
| Min. Detectable Range | [m] | 0.2 |
| Max. Detectable Range | [m] | 12 |
| Terminal | | Pin |
| Housing Material | | Aluminium |
| Colour | | Silver |
| Operating Temperature | [°C] | -30 ~ +85 |
| Weight | [gm] | 5 |

MOBICON
Electronic Components