

UT682 Wire Tracker User Manual

1. Safety information

Please read carefully and follow all warnings and precautions before using the device.

- 1) Do not use and store this device in dusty, high temperature and high humidity environment.
- 2) Transmitter and receiver of this device is powered by 9V layer-built batteries. To avoid anomaly or damage, please do not use the specified batteries to power the device.
- 3) Please remove the batteries if the device is not used for a long time
- 4) Do not use the device on live circuit over AC37V or DC52V.
- 5) Do not use this device in thunder storm condition.
- 6) This device complies to the standards of European Union: EN61326-1, EN61326-2-2

2. Structure

UT682 is a wire tracker consisting of transmitter and receiver. It supports tracking for telephone lines, network lines, power cables, and switch energized cables tracking. UT682 is handy, accurate and anti-interference tool suitable for installer and technicians engaging in low voltage electrical systems.

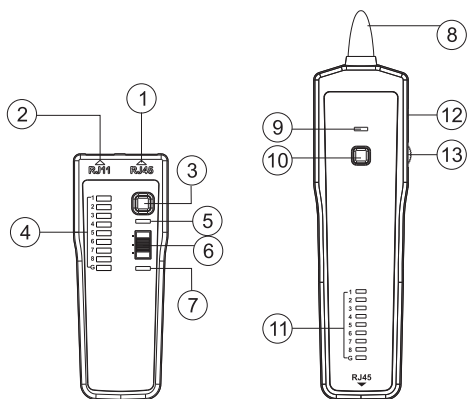


Figure 1. Transmitter and Receiver

1	Rj45 socket	2	Rj11 socket
3	Switch button	4	Line sequence indicator
5	Status LED	6	Function switch
7	Verified LED	8	Signal probe
9	Signal indicator	10	Tracking button
11	Line sequence indicator	12	Earphone jack
13	Sensitivity knob		

3. Packing list

Item	Qty	Item	Qty
Transmitter	1	Receiver	1
9V battery	2	RJ11 wire	1
RJ11 alligator clip wire	1	RJ45 wire	1
User manual	1	Bag	1

4. Telephone line tracking

- a. Insert the crystal head of the telephone line into RJ11 jack of transmitter
- b. Switch to TEST position. STATUS LED will be solid GREEN, which means the transmitter works properly.
- c. Press the PRESS TO TEST button on receiver to start tracking. The buzzer will go off when the cable is found.
- d. During tracking, you can press SWITCH button on the transmitter to switch between fast and slow mode.

5. Network line tracking (support Ethernet switch line tracking)

- a. Insert the crystal head of the network line into RJ45 jack of transmitter.
- b. Switch the functional switch to TEST position. STATUS LED will be solid GREEN, which means the transmitter works properly.
- c. Press the PRESS TO TEST button on Receiver to start tracking. The buzzer will go off when the cable is found.
- d. During tracking, you can press SWITCH button on the transmitter to switch between AUDIO 1 and AUDIO 2

6. Power cable tracking

Note: Switch off the power supply after cable tracking.

- a. Use alligator clip wire to connect the transmitter and metal cable being tracked.
- b. Switch the functional switch to TEST position. STATUS LED will be GREEN, which means the transmitter works properly.
- c. Press the PRESS TO TEST button on Receiver to start tracking. The buzzer will go off when the cable is found.
- d. During tracking, you can press SWITCH button to switch between fast and slow mode. If the target wire mingles in massive wires, you can dial the sensitivity knob to adjust the sensitivity. Louder sound means stronger signal and closer to the target wire.

8. Network cable alignment

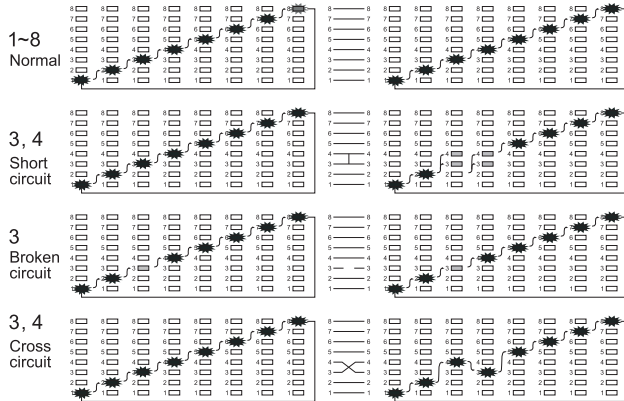
- a. Insert the RJ45 crystal head into corresponding jacks of transmitter and receiver
- b. Switch to SCAN position, indicator VERIFIED will flash, which indicates the transmitter works properly.
- c. Judge the status of the line (normal connection, short circuit, open circuit, cross circuit) according to the line sequence indicators in transmitter and receiver.
- d. During test, press SWITCH to switch between fast and slow mode
- e. For example, the diagram below shows the wiring of different status (normal connection, short circuit, open circuit, cross circuit-without shielding wire).

Normal:

LEDs (1-8) of the transmitter are ON correspondingly to the LED (1-8) of the receiver

Short circuit: No.3 and No.4 LEDs are ON in both devices, but dimmed.

Open circuit: No.3 LED are OFF IN both devices
 Cross circuit: LEDs of the transmitter and receiver are ON inversely



9. Other functions & specifications

a. Test for open circuit or short circuit

Switch the functional switch to SCAN, insert the crystal head of alligator clip line into RJ11 jack, and clip both ends of the line being tested. If the line is shorted, STATUS indicator will be turned ON with red.

b. Test for DC voltage

Switch the functional switch to OFF, insert the crystal head of alligator clip line into RJ11 jack, and clip both ends of the line being tested. If STATUS indicator is solid GREEN, it indicates the red clip is positive. If STATUS indicator is solid red, it indicates the red clip is negative. Remark: Make sure the test DC voltage scope should be +/-5V to +/-52V.

c. Low power indication

When voltage <6.6V, VERIFIED indicator of transmitter is solid lighted, Signal indicator of receiver is flashing. You need to replace the batteries

d. Earphones (not included in this package)

Under noisy environment, you can wear the earphones during operation. Volume can be adjusted by dialing the volum knob.

e. Specifications

Power supply	9V batteries
Signal mode	Modulation signal (455kHz carrier wave)
Audio mode	fast mode
	slow mode
Tracking distance	≥ 3000m (disconnected mode)
Tracking distance of switch	≥ 100m (connected mode)
Short circuit/open circuit test	✓
Polarity test of telephone line	✓
Low power indication	✓

f. Other specifications

Operating environment

Operating temperature: -10°C~50°C
 Storage temperature: -10°C~50°C
 Operating humidity: 20%~75%RH
 Storage humidity: 10%~90%RH
 Altitude: ≤2000m

Dimension

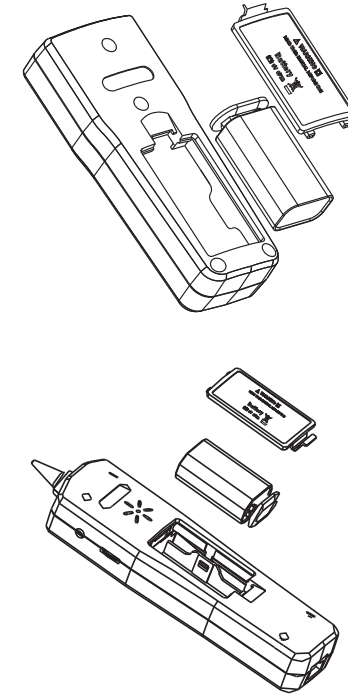
Transmitter: 125mm x 48mm x 28mm
 Receiver: 195mm x 48mm x 30mm

Weight:

Transmitter: 125g
 Receiver: 153g

10. Battery replacement

- Switch to OFF position, take off the test lines (only for transmitter)
- Remove the battery cover and replace the battery
- Put on the cover



11. Maintenance and repair

a. Maintenance

Regularly use dry cloth to clean the case. Do not use detergent containing solvents.

b. Repair

If the following anomaly occurs, please contact our customer service or sales agents for repair.

- Damage of parts and cover
- LED anomaly
- Buttons malfunction


UNI-T

UNI-TREND TECHNOLOGY (CHINA) LIMITED

Manufacturer:
 No6, Gong Ye Bei 1st Road,
 Songshan Lake National High-Tech Industrial
 Development Zone, Dongguan City,
 Guangdong Province, China
 Tel: (86-769) 8572 3888
 Fax: (86-769) 8572 5888
 Postal Code: 523 808
<http://www.uni-trend.com>

Headquarters:
 Rm 901,9/F,Nanyang Plaza,57 Hung To
 Road, Kwun Tong, Kowloon,Hong Kong

说明书菲林做货要求:

序号	项目	内容	
1	尺寸	展开尺寸210×285±1MM	折后尺寸(105x95mm)
2	材质	60g书纸	
3	颜色	单色双面印刷	
4	外观要求	完整清晰、版面整洁, 无斑墨、残损、毛边、刀线错位等缺陷。	
5	装订方式	无	
6	表面处理	无	
7	其它	无	
版本			
DWH 设计	宣浩	MODEL 机型: Ut682	Part NO. 物料编号: P/N:110401106817X
CHK 审核		 优利德科技(中国)有限公司 UNI-TREND TECHNOLOGY (CHINA) LIMITED	
APPRO. 批准			