

Specifications

Current Rating: 3A AC,DC
 Contact Resistance: 13mΩ Max
 Insulation Resistance: 1000MΩ Min
 Withstanding Voltage: 500V AC/minute
 Temperature Range: -55°C ~ +105°C

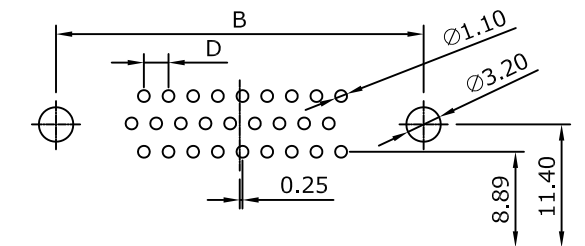
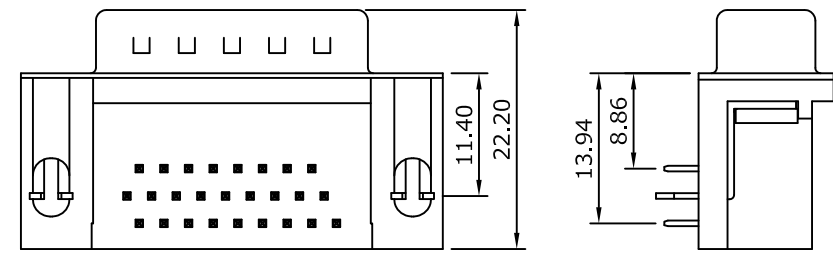
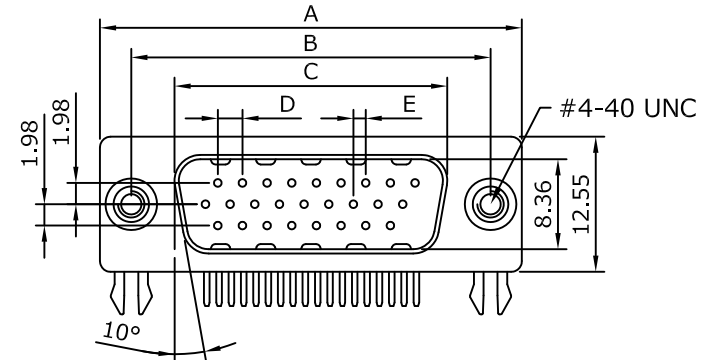
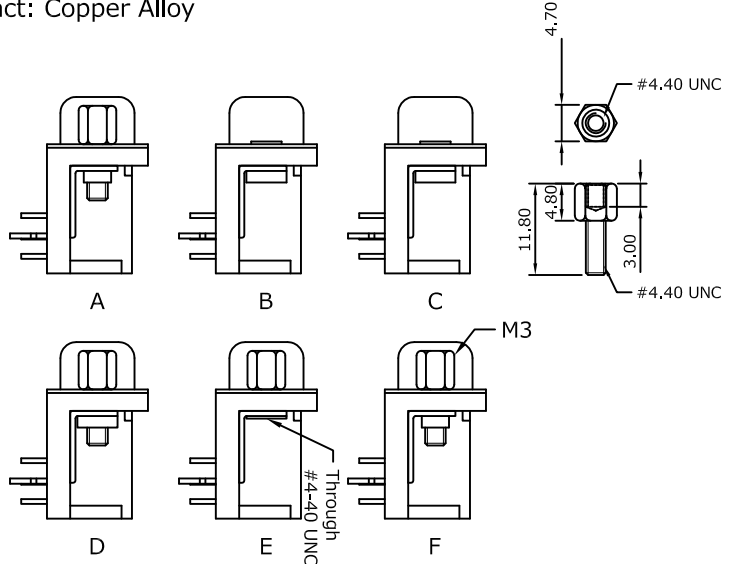
Material

Insulator: P.B.T, UL94V-0
 Contact: Copper Alloy

ORDER INFORMATION



| | | | | | | | | |
|----------------------------|--------------------|--------------|------|-----------------|----------------|--|---|---|
| VH | R | X | 1 | - | M | XX | 1 | X |
| D-SUB High Density Type | Right Angle Type | RoHS + P.B.T | Male | No. of Contacts | Fork Grounding | A:Jack Screw Insert, Height=4.8 B:Rivet C:Rivet & Jack Screw Attached D:Rivet & Jack Screw Insert, Height=4.8 E:Front Rivet #4-40+Jack Screw Insert, Height=4.8 F:Front Rivet M3+Jack Screw, Height=4.8 | | |
| G0:Gold Flash | S0:Selective Flash | | | | | | | |
| G1:Gold 3u" | S1:Selective 3u" | | | | | | | |
| G2:Gold 5u" | S2:Selective 5u" | | | | | | | |
| G3:Gold 10u" | S3:Selective 10u" | | | | | | | |
| G4:Gold 15u" | S4:Selective 15u" | | | | | | | |
| G5:Gold 30u" | S5:Selective 30u" | | | | | | | |



Recommended PCB Layout
 (PCB TOLERANCE ±0.05)

| Positions | A | B | C | D | E |
|-----------|-------|-------|-------|------|-------|
| 15 | 30.81 | 24.99 | 16.92 | 2.29 | 1.145 |
| 26 | 39.14 | 33.32 | 25.25 | 2.29 | 1.145 |
| 44 | 53.04 | 47.04 | 38.96 | 2.29 | 1.145 |
| 62 | 69.32 | 63.50 | 55.42 | 2.41 | 1.205 |

| | | | | | | | | | | |
|------|-------------|------|--|-----------|-----------------|-----------------------|-------------|------|------------|----|
| | | | <p>Morecrafts Tel:+886-2-2966-1326 Fax:+886-2-2966-1352</p> | 品號 | VHRX1-MXX1X | 日期 | 2008/07/20 | | | |
| | | | | 圖號 | VHRX1-MXX1X | 繪圖 | Sayid | | | |
| | | | | 客戶品號 | | 核對 | Max | | | |
| REV. | DESCRIPTION | DATA | TITLE: D-SUB High Density R/A Type Footprint 7.2mm | REV. A | 公差 TOLERANCE | .X ±0.25 .XX ±0.20 | 比例 SCALE | FREE | 單位 UNIT | mm |