

INVENGO XC-AF26 HIGH GAIN ANTENNA



About Invengo's XC-AF26 High Gain Antenna

Invengo's XC-AF26 antenna offers high gain, ruggedness and excellent shock and vibration resistance in a clean, durable, easy to install design. The XC-AF26 antenna comes in both Linear and Circular polarized versions, making them ideal for asset tracking, logistics and vehicle tracking applications.



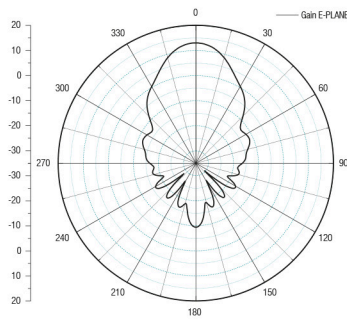
Invengo – the global RFID technology provider – is a leading developer and manufacturer of high quality, intelligent RAIN RFID (UHF) and NFC (HF) inlays, tags and connectivity solutions utilized in the Internet of Things (IoT). With a focus on RFID innovation, Invengo has created a leading product line in retail, library, pharmaceutical, healthcare, (public) transportation and many other industries.

Invengo Technology Pte. Ltd. (SG) is the International Headquarters of Invengo Information Technology Co. Ltd, listed on Shenzhen Stock Exchange (SZSE: 002161.SZ). Employing over 500 people globally, Invengo is one of the largest publicly traded, RFID oriented companies in the world.

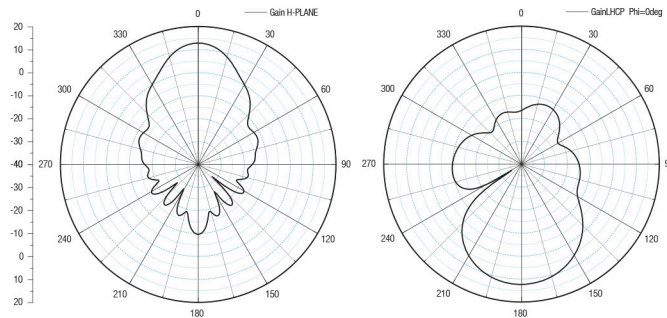
Features

- Operating Frequency
840 ~ 868 MHz and 902 ~ 928 MHz
- High Gain
- Excellent vibration and shock resistance
- Linear or Circular Polarization
- Low VSWR
- Protection Level: IP65
- Durable and clean design
- Simple installation and maintenance

Radiation Pattern



E Phase



H Phase

Product Specifications

Performance Parameter

Operating Frequency	840 ~ 868 MHz 902 ~ 928 MHz
VSWR	≤ 1.5:1
Gain	> 12 dBi
H-Plane HPBW	45°
E-Plane HPBW	45°
Polarization	Linear or Circular
Antenna Impedance	50 Ω

Environmental

Operating Temperature	-40°C to 70°C (-40°F to 158°F)
Storage Temperature	-40°C to 70°C (-40°F to 158°F)
Humidity Range	5% ~ 95% RH
Protection Level	IP65

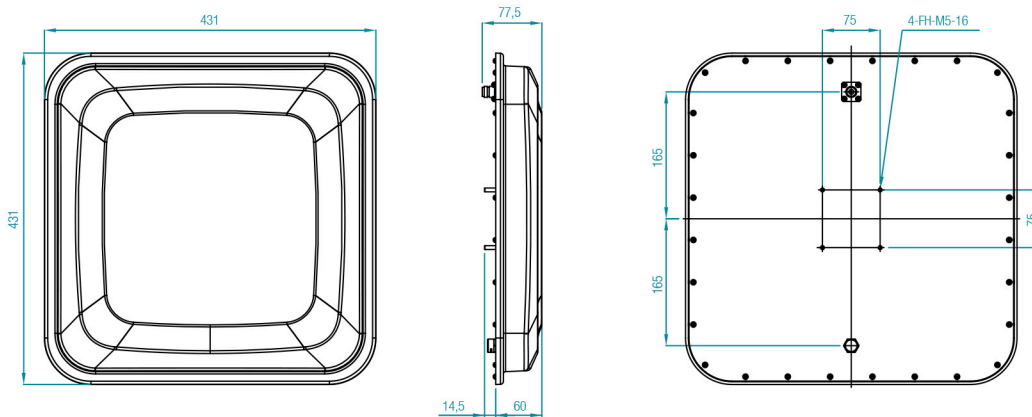
Physical Parameters

Dimensions	431 x 431 x 60 mm 16.97 x 16.97 x 2.36 in
Weight	Approx. 3,3 kg / 7.3 Lbs
Case Material	Plastic ASA, Aluminium

Models

Linear	XC-AF26L-FCC (902~928MHz)
Circular	XC-AF26CP-FCC (902~928MHz) XC-AF26CP-ETSI (840~868MHz)

Mounting Bracket



1.888.238.1155 • Inside USA
1.205.383.2244 • Outside USA

info@atlasRFIDstore.com • www.atlasRFIDstore.com