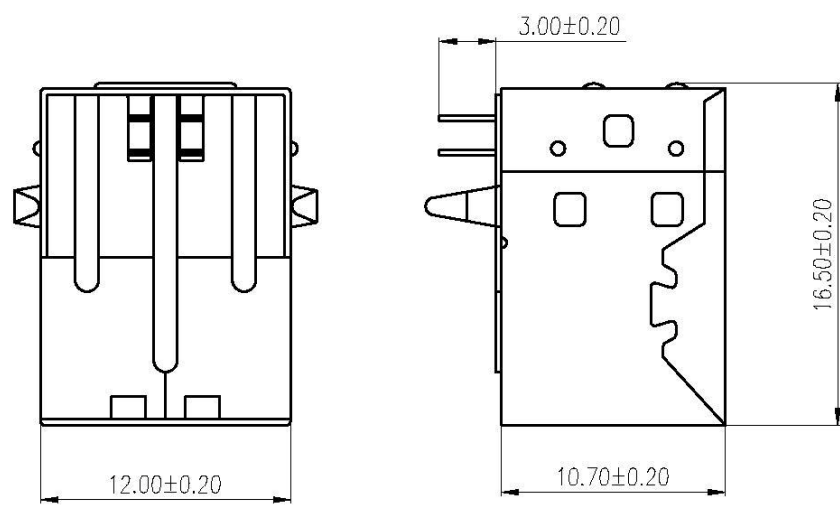


REV.	ECN NO	LOCATIONS	DESCRIPTION	DATE	REVISER	APPD



Note:

1. Material:

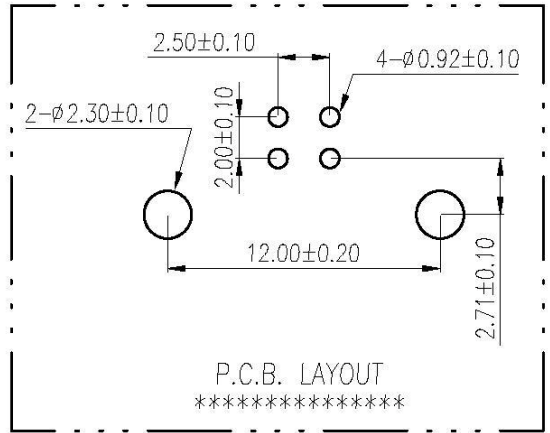
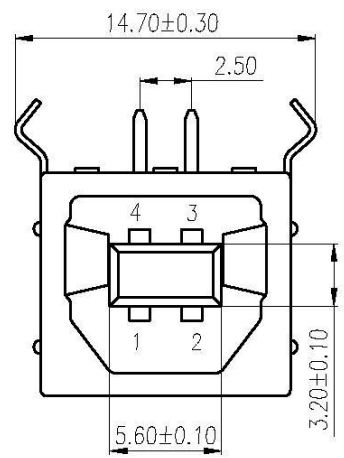
- 1.1 Insulator: P.B.T UL 94-V0 rated.
- 1.2 Contact: Brass, t=0.25mm.
- 1.3 Shell: Brass, t=0.30mm.

2. Specification:

- 2.1 Rated voltage and current: 1.5A at 250V AC minimum.x.
- 2.2 Dielectric withstanding voltage: 500V AC/1 minute without breakdown.
- 2.3 Contact resistance: Before life test 30m ohm Max.  
After life test 50m ohm max
- 2.4 Insulation resistance: 1000M ohm Min at DC 500V.
- 2.5 Insertion force: 35 Newtons Max.
- 2.6 Extraction force: 10 Newtons Minimum.
- 2.7 Solderability: Terminal shall be immersed in flux before text, Then dip in molten solder for 5±0.5 sec. At 245±5°C

3. Finishes:

- 3.1 Contacts: Gold flashed 1u", 3u", 5u", 10u", 15u", 30u".
- 3.2 Shell: Nickel plated.



No.	Name	Q'ty	Material	Remarks & Thickness	Finish
4	Back-shell	1	Cold rolled steel	T=0.30mm	Nickel Plated
3	Shell	1	Brass	T=0.30mm	Nickel Plated
2	Contact	4	Brass	T=0.25mm	Gold Flashed
1	Housing	1	P.B.T	UL 94-V0	Black/Ivory

PART NO:		MATERIAL:		PART NAME: <b>Y99011 P.C.B(F)90°</b>	
MODEL NO:		FINSH:			
UNIT: mm	SIZE: A4	COLOR:		DWG NO: S/A-312	
TOLERANCE UNSPECIFIED		DR: 李霞 '06/05/09		REV: A0	
.x ±0.3	.xx ±0.20	CHK: Kevin '06/05/09		SCALE: 2:1	
.xxx ±0.100	ANG. ±1°	APP: Kent '06/05/09		SHEET: 1 of 1	