

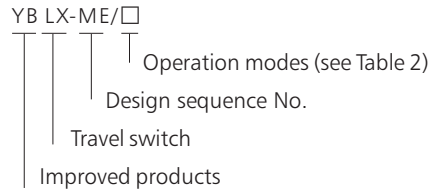


YBLX-ME/8000 Travel Switch

1. General

YBLX-ME/8000 series of travel switch is applicable to electric circuit with voltage not more than AC Ue 380V/50-60Hz or DC Ue 220V and current not more than AC Ie 0.8A or DC Ie 0.16A as travel control, direction of motion or speed change of movement mechanism, automatic control of machine tool, limit action & travel or procedure control of movement mechanism.
Standard: GB 14048.5, IEC60947-5-1, CCC China Compulsory Product Certification

2. Type designation



3. Technical data

Contact type

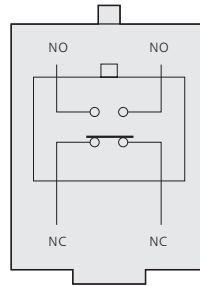


Table 1

Ingress protection	IP62
Operation frequency	Machine: 120 t/min Electrical: 30 t/min
Mechanical life	60×10 ⁴ Times
Electrical life	30×10 ⁴ Times
Insulation resistance	≥100MΩ(DC500V)
Contact resistance	≤15mΩ (initial value)
Ambient temperature	-5°C~+40°C
Relative humidity	≤95%
Voltage resistance	Between terminals at same levels (1140V)
	Between live parts and grounding (1890V)
	Between terminal and dead metal parts (2500V)
Rated voltage	AC 380V DC 220V
Rated control current	AC 0.8A DC 0.16A

Table 2

Type (use the recommended type)	Operating modes	Alternative models (stop service)	
YBLX-ME/8104	Roller rotating arm	YBLX-AZ/8104	YBLX-TZ/8104
YBLX-ME/8107	Adjustable rotating rod	YBLX-AZ/8107	YBLX-TZ/8107
YBLX-ME/8108	Adjustable roller rotating rod	YBLX-AZ/8108	YBLX-TZ/8108
YBLX-ME/8111	Direct pressure plunger type	YBLX-AZ/8111	YBLX-TZ/8111
YBLX-ME/8112	Direct-pressure plunger horizontal roller	YBLX-AZ/8112	YBLX-TZ/8112
YBLX-ME/8122	Direct-pressure plunger horizontal roller	YBLX-AZ/8122	YBLX-TZ/8122
YBLX-ME/8166	Universal type I	YBLX-AZ/8166	YBLX-TZ/8166
YBLX-ME/8169	Universal type II	YBLX-AZ/8169	YBLX-TZ/8169
YBLX-ME/8101	Universal type III	YBLX-AZ/8101	YBLX-TZ/8101
		YBLX-AZ/9101	YBLX-TZ/8101

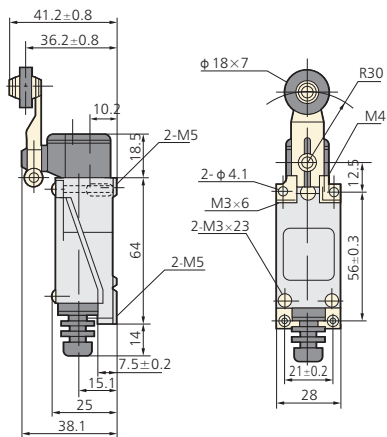
Travel Switch

Table 3

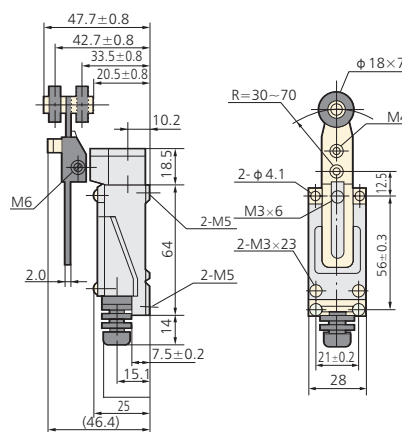
Type	Operating modes	Maximum operating force (max OF)	Maximum operating range (max PT)	Minimum overtravel (min OT)	Total travel (TT)
YBLX-ME/8104	Roller rotating arm	12N	35°	70°	105°
YBLX-ME/8107	Adjustable rotating rod	12N	35°	70°	105°
YBLX-ME/8108	Adjustable roller rotating rod	12N	35°	70°	105°
YBLX-ME/8111	Direct pressure plunger type	15N	5mm	2mm	7mm
YBLX-ME/8112	Direct-pressure plunger horizontal roller	15N	5mm	2mm	7mm
YBLX-ME/8122	Direct-pressure plunger horizontal roller	15N	5mm	2mm	7mm
YBLX-ME/8166	Universal type I	12N	35°	-	-
YBLX-ME/8169	Universal type I	12N	35°	-	-
YBLX-ME/8101	Universal type IIII	12N	35°	-	-

4. Overall and mounting dimensions

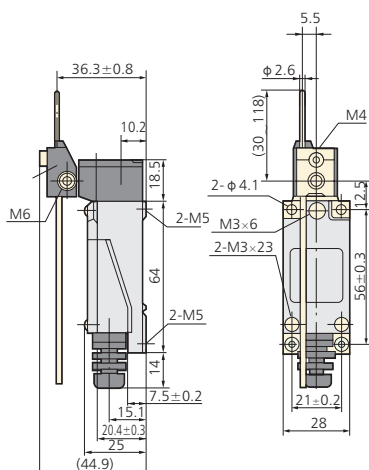
YBLX-ME/8104



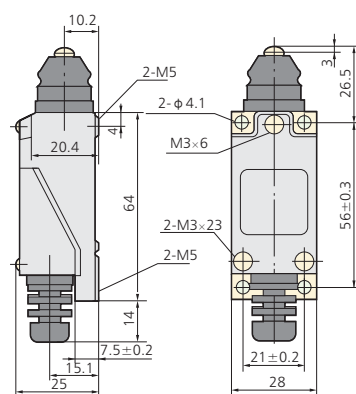
YBLX-ME/8108



YBLX-ME/8107

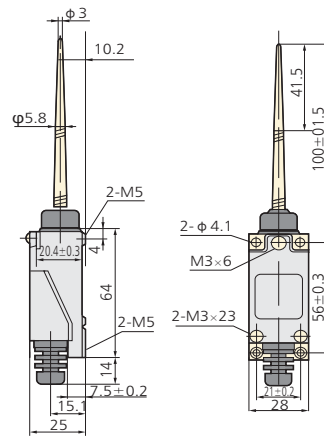
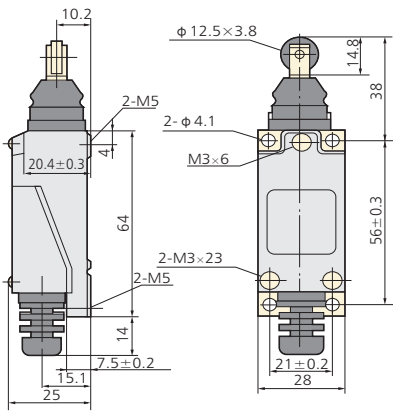


YBLX-ME/8111



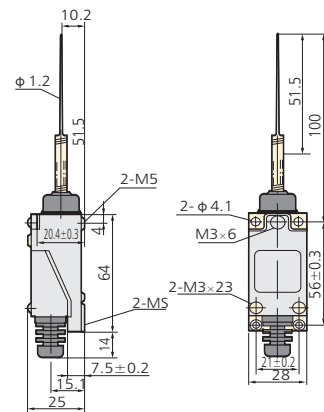
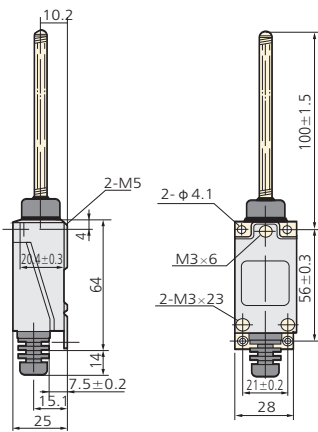
YBLX-ME/8112

YBLX-ME/8166

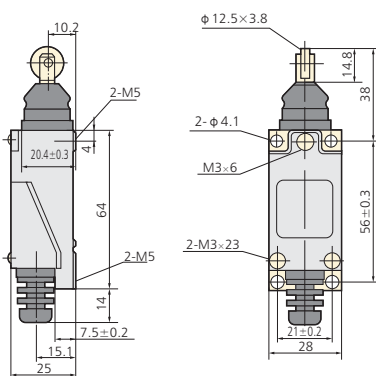


YBLX-ME/8101

YBLX-ME/8169



YBLX-ME/8122



5. Ordering information

When ordering, the user shall specify the switch type, name and quantity.
For example: YBLX-ME/8169 travel switch 100 pieces