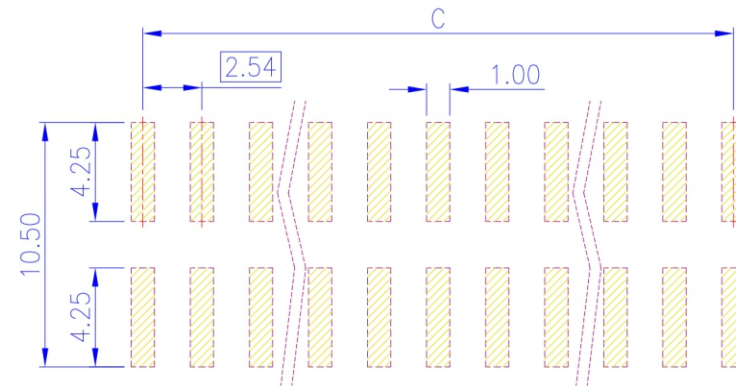
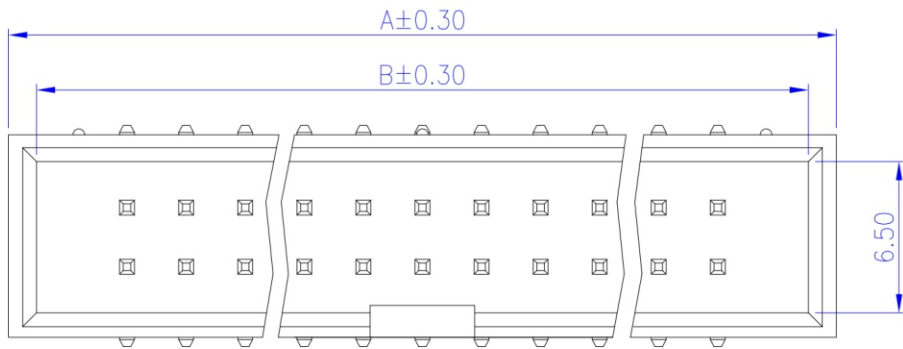
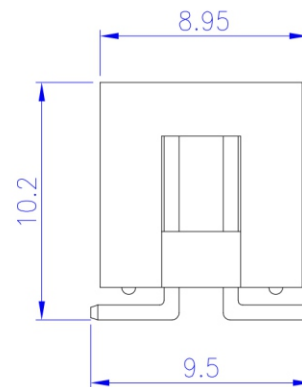
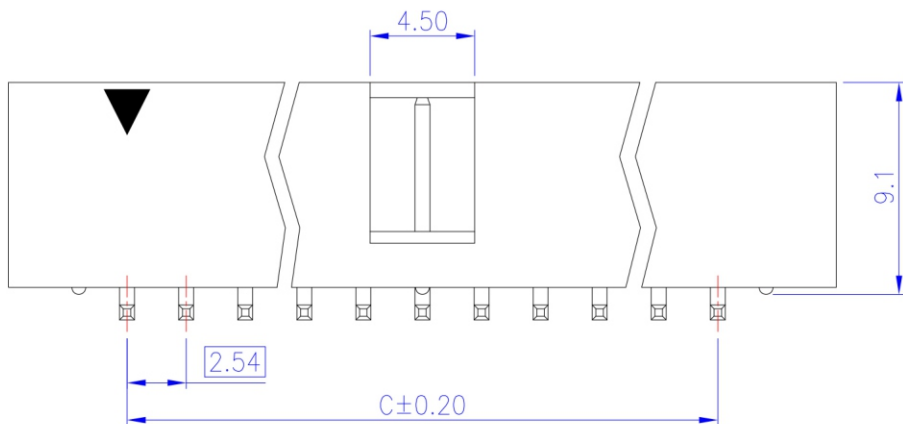


Rev.	Date	Description
A	2004/10/14	New Drawing
B	2010/09/01	Add Housing Options



PCB Layout  
(Top View)



Housing Option : NY6T

Dimensions				Dimensions			
Pos.	A	B	C	Pos.	A	B	C
06	15.24	12.94	5.08	24	38.10	35.80	27.94
08	17.78	15.48	7.62	26	40.64	38.34	30.48
10	20.32	18.02	10.16	30	45.72	43.42	35.56
12	22.86	20.56	12.70	34	50.80	48.50	40.64
14	25.40	23.10	15.24	40	58.42	56.12	48.26
16	27.94	25.64	17.78	44	63.50	61.20	53.34
20	33.02	30.72	22.86	50	71.12	68.82	60.96

**EIE**

**Material and Finish**

- Housing: Thermoplastic (UL94V-0), Black.
- Terminal: Sq. 0.64mm Copper Alloy, Gold Plating

**Electrical Characteristics**

- Current Rating: 3.0 Amp. Max..
- Dielectric Withstand Voltage: 1000V AC RMS for 60Seconds.
- Insulation Resistance: 1000M Ohms Min. at 1000V DC.

**Mechanical Characteristics**

- Operating Temperature: -55°C ~ +105°C

Tolerance	Scale	Unit	Drawn By	Checked By	Approved By
0.0 ±0.30 0.00 ±0.20 0.000 ±0.10	1:1	mm	ASD	Anita	Alex
Drawing No. YR254Bxx					

2.54mm Box Header  
PCB Surface Mount  
Dual Rows