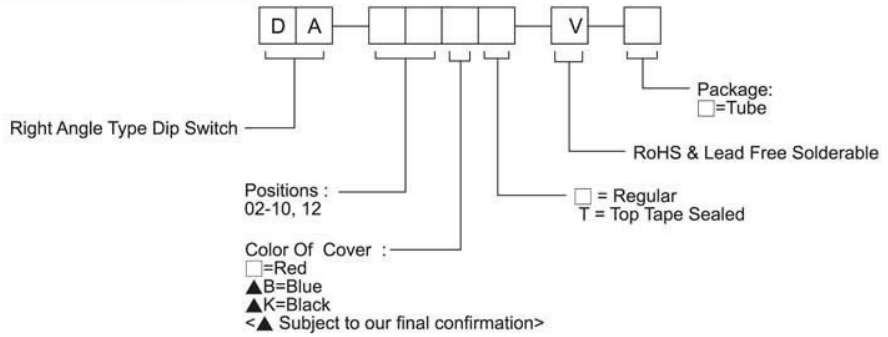


HOW TO ORDER



SPECIFICATION

MECHANICAL

Mechanical Life : 2,000 operations
 Operation Force: 1,000gf max.
 Stroke: 2.0mm

ENVIRONMENTAL

Operation Temperature: -20°C to +70°C
 Storage Temperature: -40°C to +85°C

ELECTRICAL

Electrical Life: 2,000 operations
 Non-Switching Rating: 100mA , 50VDC
 Switching Rating: 25mA , 24VDC

PACKAGE

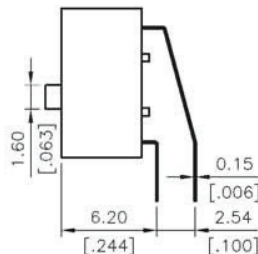
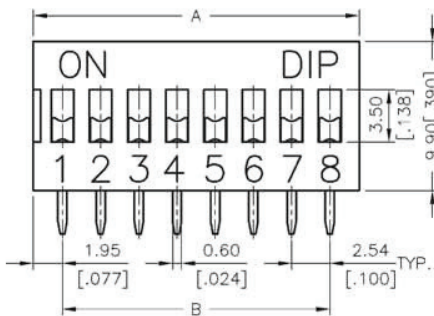
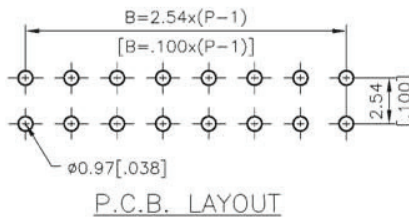
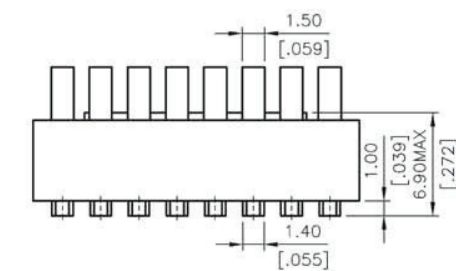
| | |
|-------------------|----------------------|
| DA-02: 73pcs/tube | DA-02-T: 70 pcs/tube |
| DA-03: 52pcs/tube | DA-03-T: 50 pcs/tube |
| DA-04: 40pcs/tube | DA-04-T: 39 pcs/tube |
| DA-05: 33pcs/tube | DA-05-T: 32 pcs/tube |
| DA-06: 28pcs/tube | DA-06-T: 28 pcs/tube |
| DA-07: 24pcs/tube | DA-07-T: 24 pcs/tube |
| DA-08: 21pcs/tube | DA-08-T: 21 pcs/tube |
| DA-09: 19pcs/tube | DA-09-T: 19 pcs/tube |
| DA-10: 17pcs/tube | DA-10-T: 17 pcs/tube |
| DA-12: 14pcs/tube | DA-12-T: 14 pcs/tube |

CIRCUIT

SCHEMATIC(TYP.)



DA



| | | | |
|-----------|-------------|--------------|--------------|
| DA-12-V | 12 | 31.84[1.254] | 27.94[1.100] |
| DA-10-V | 10 | 26.76[1.054] | 22.86[.900] |
| DA-09-V | 9 | 24.22[.954] | 20.32[.800] |
| DA-08-V | 8 | 21.68[.854] | 17.78[.700] |
| DA-07-V | 7 | 19.14[.754] | 15.24[.600] |
| DA-06-V | 6 | 16.60[.654] | 12.70[.500] |
| DA-05-V | 5 | 14.06[.554] | 10.16[.400] |
| DA-04-V | 4 | 11.52[.454] | 7.62[.300] |
| DA-03-V | 3 | 8.98[.354] | 5.08[.200] |
| DA-02-V | 2 | 6.44[.254] | 2.54[.100] |
| PROD. NO. | NO. OF POS. | DIM.A | DIM.B |