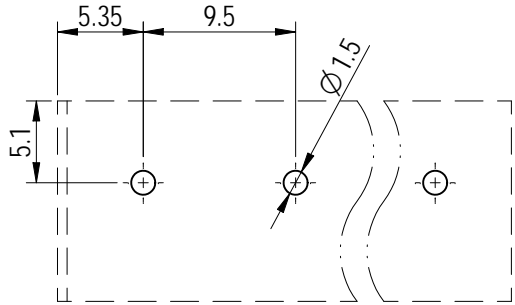
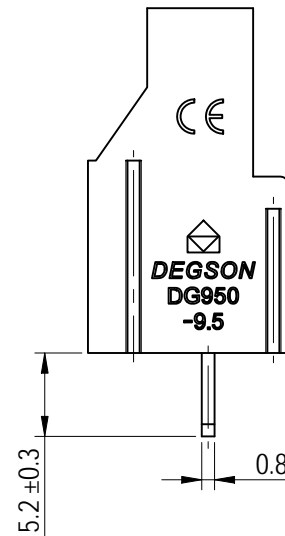
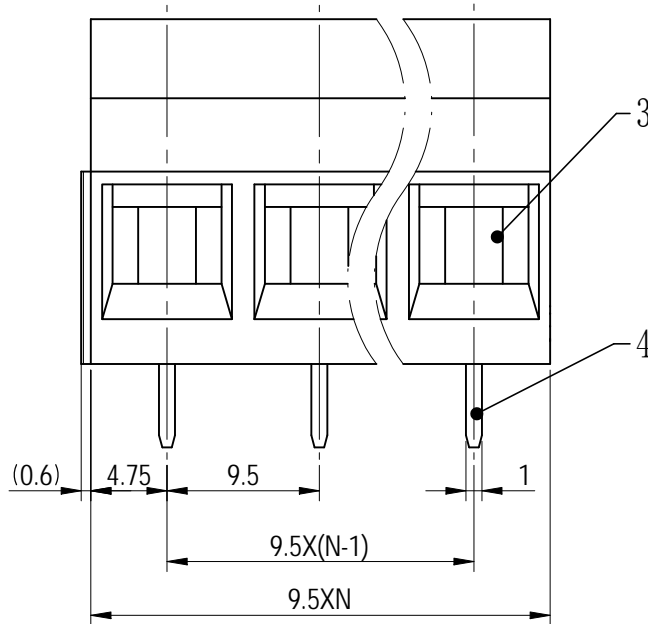
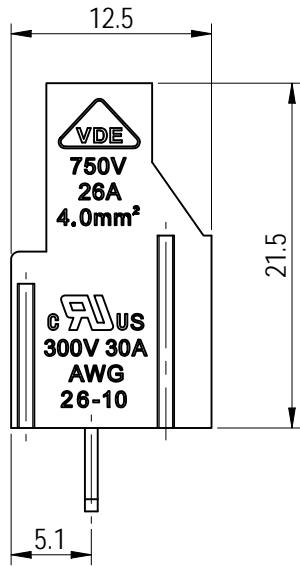
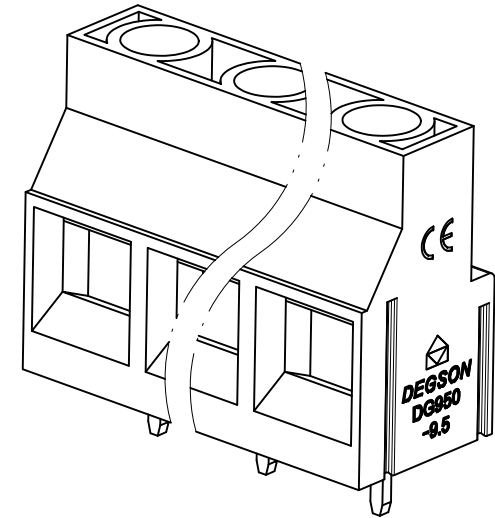
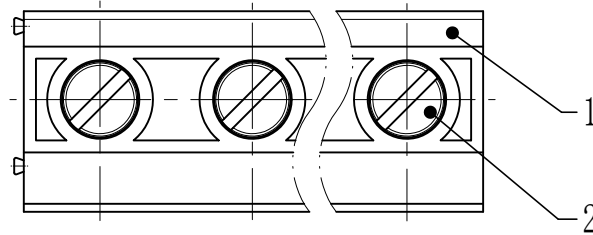


# PCB LAYOUT



公差/General tolerances (mm)												D 0.1/10		
0	>3	>6	>10	>18	>30	>50	>80	>120	>180	>250	>315		>400	>500
~	~	~	~	~	~	~	~	~	~	~	~	~	~	~
±0.12	±0.18	±0.22	±0.26	±0.31	±0.37	±0.57	±0.80	±0.93	±1.05	±1.15	±1.60	±2.20	±2.50	±2



Note:  
The A&Z(H) in the name means: A(H) and Z(H).

ITEM	NAME OF PART	MATERIAL	NOTES
4	Pin header	Copper alloy	Sn Plated
3	Cage	Copper alloy	M3/Ni Plated
2	Screw	Steel	M3/Zn Plated
1	Housing	PA66	UL94V-0

UL 标准/UL Standard:	B	C	D
额定电压/Rated Voltage(V)/Current(A)	300/30	300/30	600/5
IEC 标准/IEC Standard:			
过压类别/Overvoltage Category/污染等级/Pollution Degree	III/2		
额定电压/Rated Voltage(V)/Current(A)	750/26		
工频耐压/Withstanding voltage(V/1Min)	AC3000		
螺丝扭矩/Torque Tightening(N·m/Lb.in)	M3: 0.5/4.43		
线径范围(硬线和软线)/Wire Range(rigid and flexible)(AWG/mm²)	26~12 / 1.5~4.0		
间距/Pitch(mm)/线数范围/Poles	9.5/N=02~12P		
剥线长度/Stripping length(mm)	8~9		
使用温度范围/Operating temperature(°C)	-40~+105		
符合RoHS环保要求/Conform to RoHS	Yes		

<b>DEGSON</b>		MATERIAL:	SURFACE/COLOR:		
APPD: 兰春华	2022.09.05	MAT NO./REV:	/ 00	MAT STATUS: 批量	
CHKD: 陈超	2022.09.05	NAME: DG950-9.5-XXP-1Y-00A&Z(H)			
DRFT: 黄徐涛	2022.09.02	DRAWING NO.	TYPE	DRAWING STATUS	SCALE
REV	ECN	DESCRIPTION	DATE	200103352	CUSTOMER DRAWING
00			2022.09.02	已发布	1:1
REV	ECN	DESCRIPTION	DATE	200103352	CUSTOMER DRAWING
				已发布	1:1

Transfer or duplication of this document as well as the utilization of its contents without the written permission of the manufacturer is prohibited. All rights reserved for patent.