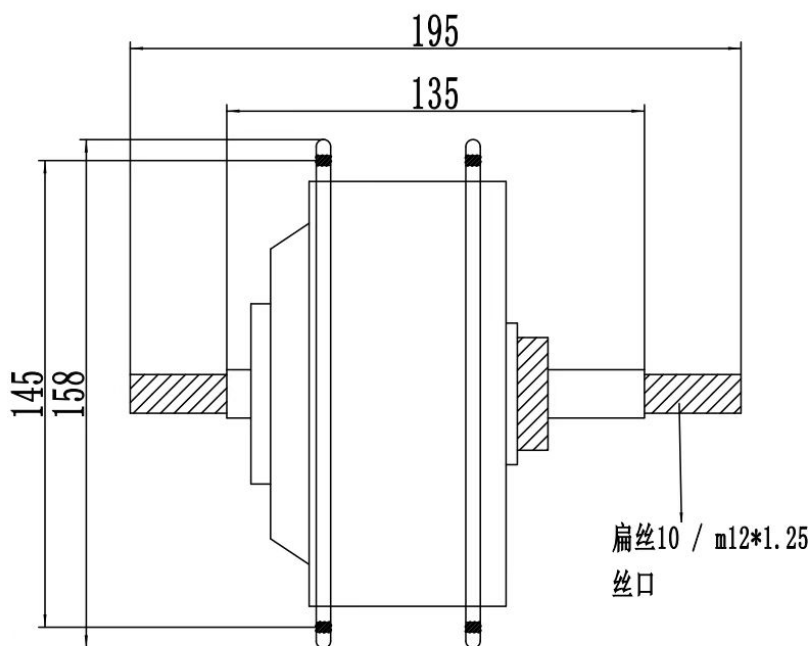


MOTOR FOR ELECTRIC BIKE 36V 500W with 600mm extension cable

P/N:211105



500W无刷有齿减速电机/后驱尺寸图

◆ Rated Voltage	36V 48V
◆ Rated Power	500W
◆ Rated Speed	about 30-32km/h
◆ RPM	265-325 RPM
◆ Torque(N.M)	60-63 N.M
◆ Rear fork (mm)	135-142mm
◆ Brake Type	Disc Brake

## PRODUCT SPECIFICATION

MAKE RIDING MORE FREE



60cm

**TYPE:** Waterproof Motor Extension Cable

**MOTOR:** 250W/350W/500W

**CABLE LENGTH:**

600MM/1300MM/1600MM

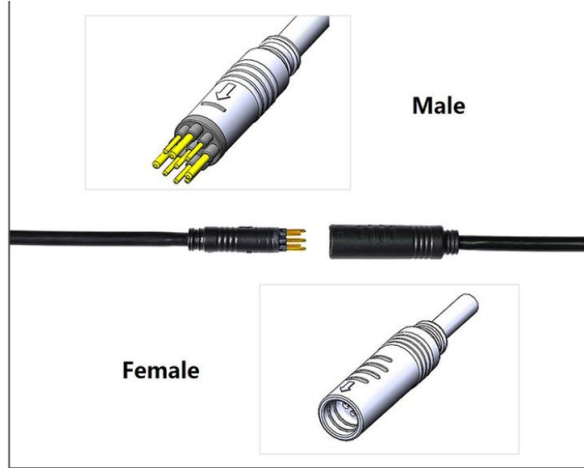
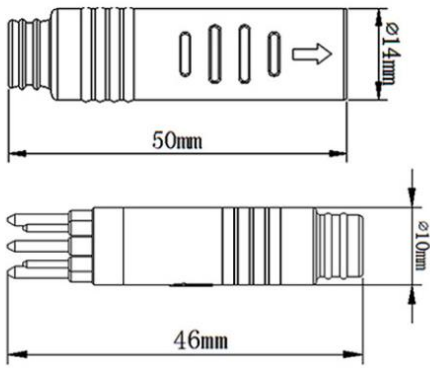
**CABLE SQUARE:** 1.2/1.5 SQUARE

**COLOR:** Black

**PLUG:** Waterproof

**01** OVERALL DISPLAY

■ Fitting size drawing



**02** SHOW DETAILS

