

E-BIKE MOTOR
E-MOTORCYCLE MOTOR
ELECTRO-TRICYCLE MOTOR
SCOOTER MOTOR

CHINA ELECTRIC MOTOR ASSOCIATION
GUANGDONG M&C ELECTRIC POWER CO.,LTD

128 SERIES BRUSHLESS SPOKE MOTOR

Applied To Electric Bike & electric motorcycle

Trait: Small size with simple structure, light weight and long life, super power, high efficiency, beautiful, high speed motor with gear, drive is free, better for Li-battery e-bike.

Voltage: 24V-48V
 Power: 50W-500W
 Specification: 8"-28"

Efficiency: $\geq 80\%$
 Weight: 3kg
 Wheel: A356 AL

Magnet: 38SH
 Wire: QZ-3/155
 Ironcore: Dw470



MB01
for back-wheel



MB02
for back-wheel



MB03
for back-wheel



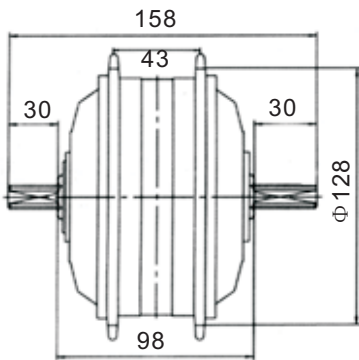
MF01
for front-wheel



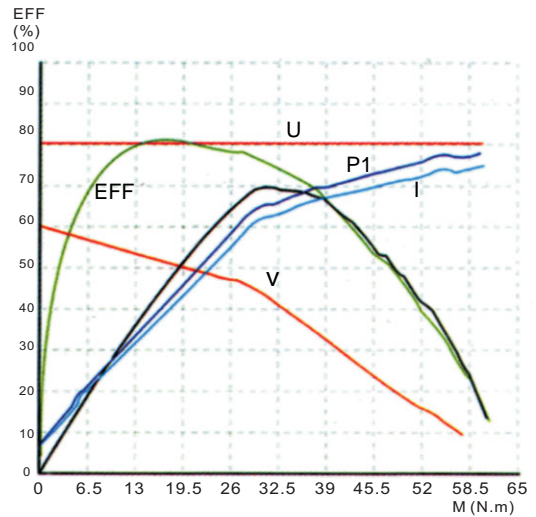
MF02
for front-wheel



MF03
for front-wheel



P1	U	P2	I	v
1500	60	1000	30	500
1350	54	900	27	450
1200	48	800	24	400
1050	42	700	21	350
900	36	600	18	300
750	30	500	15	250
600	24	400	12	200
450	18	300	9	150
300	12	200	6	100
150	6	150	3	50
0	0	0	0	0
(w)	(v)	(w)	(A)	(r/min)



Above data is for your reference, we provide customized solution.