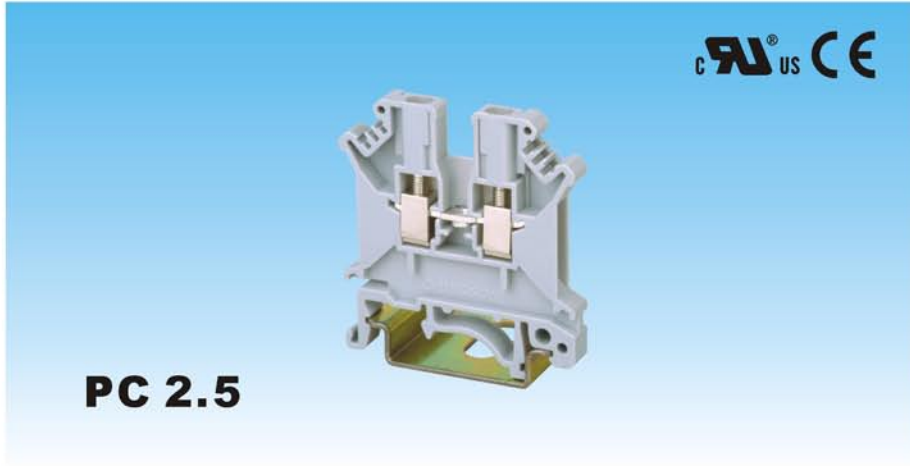


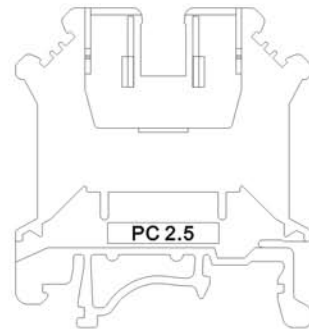
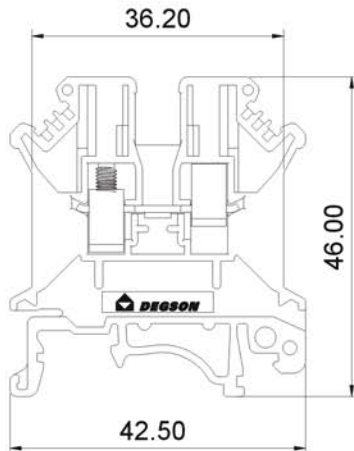
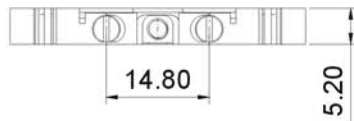


DEGSON ELECTRONICS CO., LTD.

Product Specification

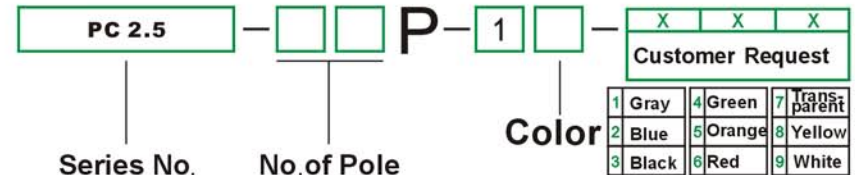


PC 2.5



| Specification | Model | PCS |
|--|---|-------------------------------------|
| (1) Terminal block | PC 2.5 | 50 |
| (2) End Cover | D-PC 2.5 | 50 |
| (3) Fixed Bridge | FBRI 2-5 N FBRI 3-5 N FBRI 5-5 N FBRI 10-5 N | 10 10 10 10 |
| (4) Step Bracket | | |
| (5) Insertion Bridge | EBL 2-5 EBL 3-5 EBL 10-5 | 10 10 10 |
| (6) Isolator Bridge Bar, 10 P | | |
| (7) Bridge Bar Isolator | | |
| (8) Switching Bridge | | |
| (9) Separating Plate | TS-K | 50 |
| (10) Separating Plate, Width: 1.5mm | ATP-PC | 50 |
| (11) Test Plug Socket | PSB 3/10/4 | 100 |
| (12) Test Plug Socket, Insulated | PSBJ 3/13/4 | 100 |
| (13) Zack Strip | ZB 5 | |
| Thickness / Width / Thickness of end cover | [mm] | 5.2 / 42.5 / 1.8 mm |
| Height (NS35:7.5/NS35:15/NS32) | [mm] | 47 / 54.5 / 52 mm |
| Rated Voltage / Rated Current | [V] / [A] | 800V / 24A |
| Rated Surge Voltage / Contamination Class | kV / - | 8kV / 3 |
| Wire Size | [mm ²] / AWG | 0.2-2.5 mm ² / 24-12 AWG |
| Stripping Length | [mm] | 8 mm |
| Screw Thread / Tightening Torque | - / [Nm] | M3 / 0.6-0.8 Nm |
| Internal Cylindrical Gage | | A3 |
| Insulating Material / Inflammability Class | | PA / V-0 |

HOW TO ORDER:



| | |
|--|-------------------------------------|
| | DEGSON ELECTRONICS CO., LTD. |
| | NAME PC 2.5 |