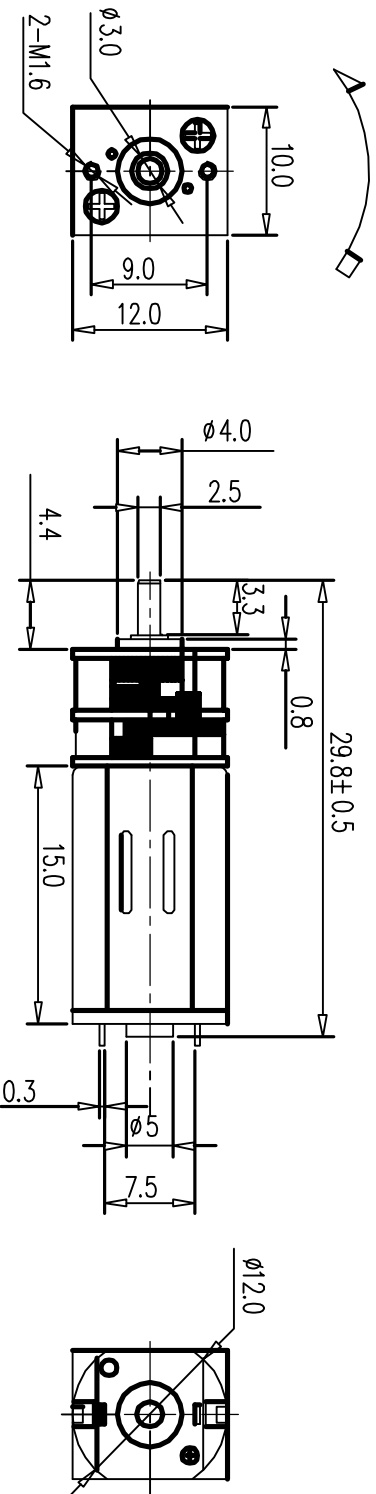




MG-12JSN20-298

MAX MOTOR MOTION CO., LIMITED
 TEL: +86-755-84679112 FAX: +86-755-89361286
 Http://WWW.MAX-MOTOR.COM EMAIL: MAX@MAX-MOTOR.COM

DIRECTION OF ROTATION



TEST CONDITION:

1. RATED VOLTAGE: 6.0VDC
2. OPERATING TEMPERATURE RANGE: -10C~60C
3. OPERATION 45'S INSPECTION

AT NO LOAD:

1. CURRENT: 0.07A Max
2. SPEED: 62 ± 10%/rpm

AT RATED LOAD:

1. CURRENT: 0.22A Max
2. OUTPUT: 0.24W
3. SPEED: 47 ± 10%/rpm
4. TORQUE: 500g.cm

AT STALL:

1. CURRENT: 0.7A Max
2. TORQUE: 2.1Kg.cm Min

GEAR RATIO: 1:298

CONFIRMED & ACCEPTED BY
CUSTOMER

DATE:

NOTES:

1. END PLAY 0.05-0.5 mm.
2. DIRECTION OF ROTATION: COUNTER CLOCKWISE WHEN VIEWING MOTOR OUTPUT END WITH POSITIVE VOLTAGE APPLIED TO POSITIVE TERMINAL.

NO: MAX-120504-Z4703-12GAN20-298

DRAW BY

CHECKED BY

APPROVED BY

DATE

05/09/2012

1